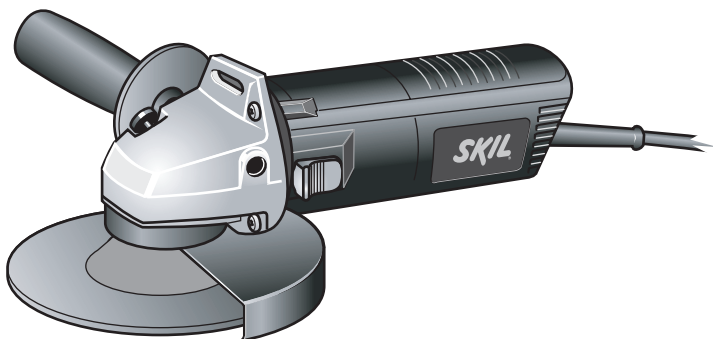


SKIL®

ANGLE GRINDER 9295 (F0159295..)

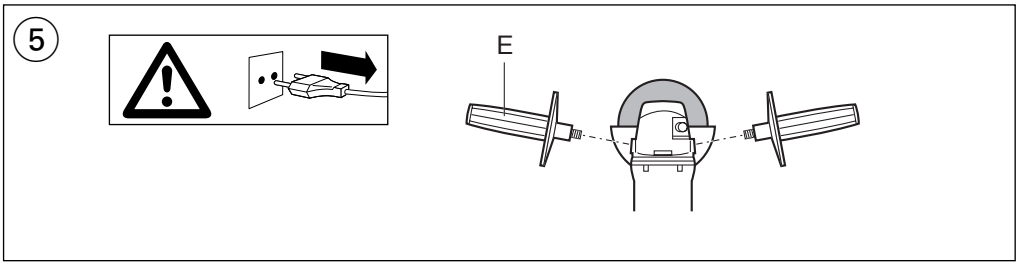
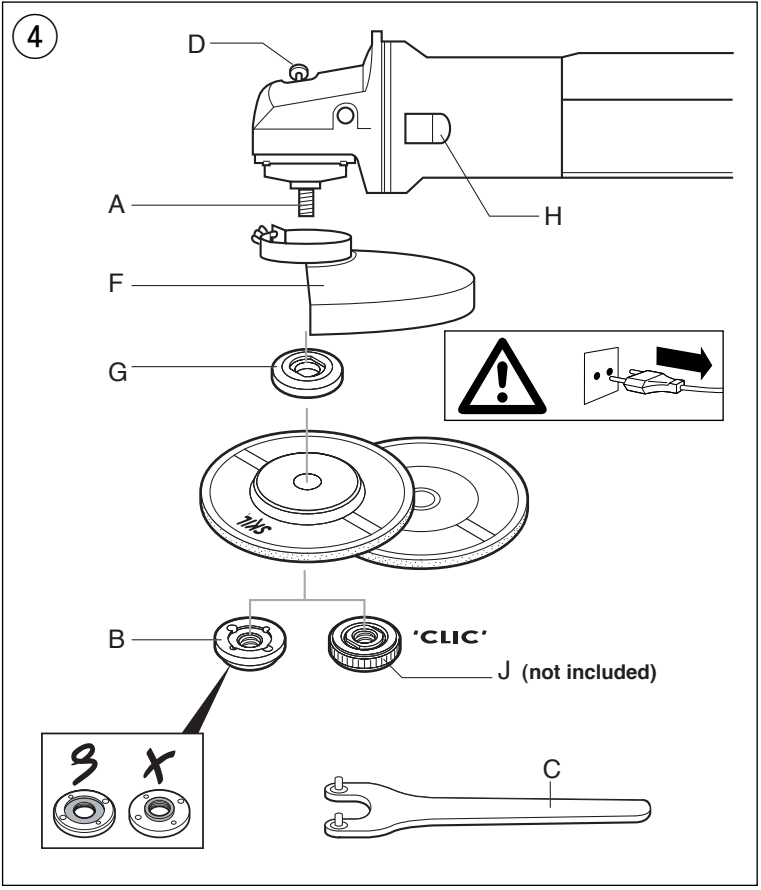
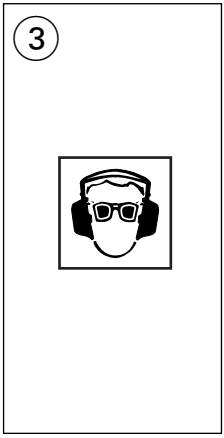
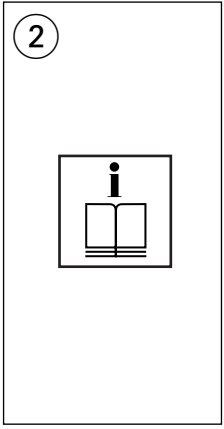
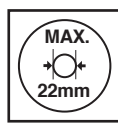
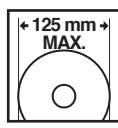
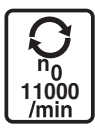


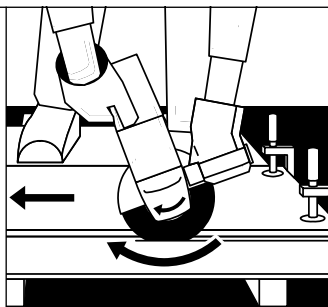
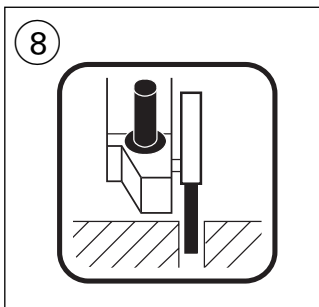
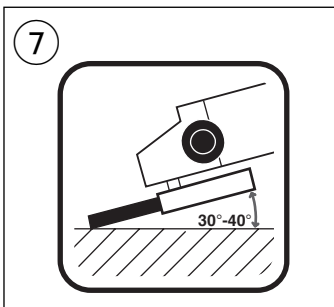
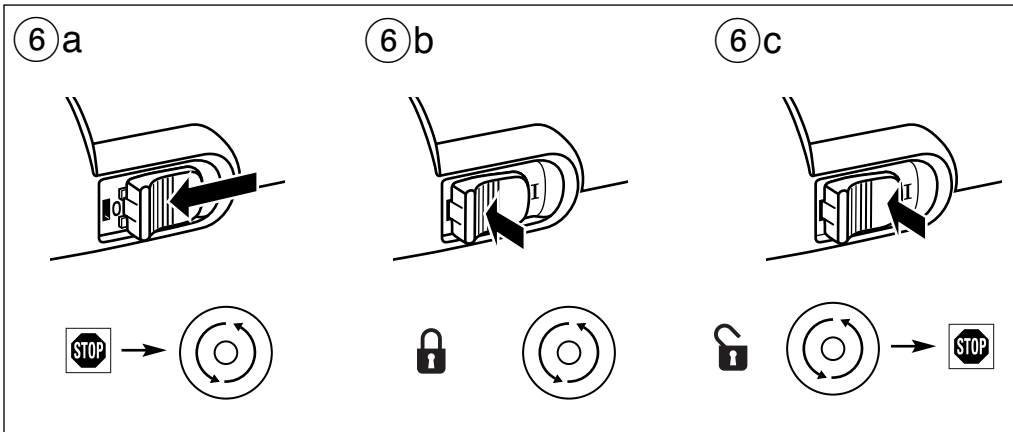
GB	INSTRUCTIONS	page 4	PL	INSTRUKCJA	strona 47
F	INSTRUCTIONS	page 6	RU	ИНСТРУКЦИИ	страница 50
D	HINWEISE	Seite 10	UA	ІНСТРУКЦІЯ	страница 54
NL	INSTRUCTIES	bladz. 13	GR	ΟΔΗΓΙΕΣ	σελίδα 58
S	INSTRUKTIONER	sida 16	RO	INSTRUCȚIUNI	pagina 61
DK	INSTRUKTION	side 19	BG	УКАЗАНИЕ	страница 65
N	ANVISNING	side 22	SK	POKYNY	strana 68
FIN	OHJEET	sivu 25	HR	UPUTE	stranica 72
E	INSTRUCCIONES	pág. 28	SCG	UPUTSTVA	stranica 75
P	INSTRUÇÕES	pág. 31	SLO	NAVODILA	stran 77
I	ISTRUZIONI	pag. 35	EST	KASUTUSJUHEND	lehekülg 81
H	LEÍRÁS	oldal 38	LV	INSTRUKCIJA	lappuse 84
CZ	POKYNY	strana 41	LT	INSTRUKCIJA	puslapis 87
TR	KILAVUZ	sayfa 44			

www.skileurope.com



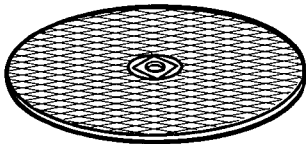
1 **9295**
900 W
1,6 kg





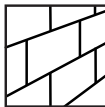
ACCESSORIES

SKIL Nr. 2610377712



Ø 125 mm

SKIL Nr. 2610377713



Ø 125 mm

SKIL Nr. 2610388766

Clic flange



Angle grinder

9295

INTRODUCTION

- This tool is intended for grinding, cutting and deburring metal and stone materials without the use of water; with the appropriate accessories the tool can also be used for brushing and sanding
- Read and save this instruction manual ②

TECHNICAL SPECIFICATIONS ①

SAFETY

GENERAL SAFETY INSTRUCTIONS

WARNING! Read all instructions. Failure to follow all instructions listed below may result in electric shock, fire and/or serious injury. The term "power tool" in all of the warnings listed below refers to your mains operated (corded) power tool.

1) WORK AREA

- Keep work area clean and well lit.** Cluttered and dark areas invite accidents.
- Do not operate power tools in explosive atmospheres, such as in the presence of flammable liquids, gases or dust.** Power tools create sparks which may ignite the dust or fumes.
- Keep children and bystanders away while operating a power tool.** Distractions can cause you to lose control.

2) ELECTRICAL SAFETY

- Power tool plugs must match the outlet. Never modify the plug in any way. Do not use any adapter plugs with earthed (grounded) power tools.** Unmodified plugs and matching outlets will reduce risk of electric shock.
- Avoid body contact with earthed or grounded surfaces such as pipes, radiators, ranges and refrigerators.** There is an increased risk of electric shock if your body is earthed or grounded.
- Do not expose power tools to rain or wet conditions.** Water entering a power tool will increase the risk of electric shock.
- Do not abuse the cord. Never use the cord for carrying, pulling or unplugging the power tool. Keep cord away from heat, oil, sharp edges or moving parts.** Damaged or entangled cords increase the risk of electric shock.
- When operating a power tool outdoors, use an extension cord suitable for outdoor use.** Use of a cord suitable for outdoor use reduces the risk of electric shock.

3) PERSONAL SAFETY

- Stay alert, watch what you are doing and use common sense when operating a power tool. Do not use a power tool while you are tired or under the influence of drugs, alcohol or medication.** A moment of inattention while operating power tools may result in serious personal injury.

- Use safety equipment. Always wear eye protection.** Safety equipment such as dust mask, non-skid safety shoes, hard hat, or hearing protection used for appropriate conditions will reduce personal injuries.
 - Avoid accidental starting. Ensure the switch is in the off position before plugging in.** Carrying power tools with your finger on the switch or plugging in power tools that have the switch on invites accidents.
 - Remove any adjusting key or wrench before turning the power tool on.** A wrench or a key left attached to a rotating part of the power tool may result in personal injury.
 - Do not overreach. Keep proper footing and balance at all times.** This enables better control of the power tool in unexpected situations.
 - Dress properly. Do not wear loose clothing or jewellery. Keep your hair, clothing and gloves away from moving parts.** Loose clothes, jewellery or long hair can be caught in moving parts.
 - If devices are provided for the connection of dust extraction and collection facilities, ensure these are connected and properly used.** Use of these devices can reduce dust related hazards.
- #### 4) POWER TOOL USE AND CARE
- Do not force the power tool. Use the correct power tool for your application.** The correct power tool will do the job better and safer at the rate for which it was designed.
 - Do not use the power tool if the switch does not turn it on and off.** Any power tool that cannot be controlled with the switch is dangerous and must be repaired.
 - Disconnect the plug from the power source before making any adjustments, changing accessories, or storing power tools.** Such preventive safety measures reduce the risk of starting the power tool accidentally.
 - Store idle power tools out of the reach of children and do not allow persons unfamiliar with the power tool or these instructions to operate the power tool.** Power tools are dangerous in the hands of untrained users.
 - Maintain power tools. Check for misalignment or binding of moving parts, breakage of parts and any other condition that may affect the power tools operation. If damaged, have the power tool repaired before use.** Many accidents are caused by poorly maintained power tools.
 - Keep cutting tools sharp and clean.** Properly maintained cutting tools with sharp cutting edges are less likely to bind and are easier to control.
 - Use the power tool, accessories and tool bits etc. in accordance with these instructions and in the manner intended for the particular type of power tool, taking into account the working conditions and the work to be performed.** Use of the power tool for operations different from those intended could result in a hazardous situation.
- #### 5) SERVICE
- Have your power tool serviced by a qualified repair person using only identical replacement parts.** This will ensure that the safety of the power tool is maintained.

SAFETY INSTRUCTIONS FOR ANGLE GRINDERS

GENERAL

- Only use this tool for dry grinding/cutting
- Only use the flanges which are supplied with this tool
- This tool should not be used by people under the age of 16 years
- **Always disconnect plug from power source before making any adjustment or changing any accessory**

ACCESSORIES

- Use the original SKIL accessories which can be obtained from your SKIL dealer
- For mounting/using non-SKIL accessories observe the instructions of the manufacturer concerned
- Use only accessories with an allowable speed matching at least the highest no-load speed of the tool
- Do not use damaged, deformed or vibrating grinding/cutting discs
- Handle and store grinding/cutting discs carefully to avoid chipping and cracking
- Protect accessories from impact, shock and grease
- Do not use a grinding/cutting disc that is larger than the maximum recommended size
- Only use grinding/cutting discs with a hole diameter which fits mounting flange G (4) without play; never use reducers or adaptors to fit large-hole grinding/cutting discs
- Never use grinding/cutting discs with a threaded hole, of which the thread is not long enough to accept the spindle length of the tool
- Never use accessories with a "blind" threaded hole smaller than M14 x 21 mm

OUTDOOR USE

- Connect the tool via a fault current (FI) circuit breaker with a triggering current of 30 mA maximum
- Only use an extension cord which is intended for outdoor use and equipped with a splashproof coupling-socket

BEFORE USE

- Before using the tool for the first time, it is recommended to receive practical information
- **Do not work materials containing asbestos** (asbestos is considered carcinogenic)
- **Take protective measures when during work dust can develop that is harmful to one's health, combustible or explosive** (some dusts are considered carcinogenic); wear a dust mask and work with dust/chip extraction when connectable
- Be careful of hidden electrical wires or gas- and water pipes; check the work area, for instance with a metal detector
- Be careful when cutting grooves, especially in supporting walls (slots in supporting walls are subject to country-specific regulations; these regulations are to be observed under all circumstances)
- Clamp the workpiece in case it does not remain stationary from its own weight
- Do not clamp the tool in a vice
- Use completely unrolled and safe extension cords with a capacity of 16 Amps (UK 13 Amps)

- Wear protective glasses and gloves, hearing protection (3) and sturdy shoes; when necessary, also wear an apron
- Always mount auxiliary handle E (5) and protective guard F (4); never use the tool without them
- Be sure tool is switched off when plugging in

DURING USE

- Always keep the cord away from moving parts of the tool; direct the cord to the rear, away from the tool
- If the cord is damaged or cut through while working, do not touch the cord, but immediately disconnect the plug; never use the tool with a damaged cord
- Push spindle-lock button D (4) only when spindle A (4) is at a standstill
- Keep hands away from rotating accessories
- When grinding metal, sparks are generated; keep other persons and combustible material from work area
- In case of electrical or mechanical malfunction, immediately switch off the tool and disconnect the plug
- In case the cutting disc is blocked, resulting in jerking forces on the tool, immediately switch off the tool
- In case of current interruption or when the plug is accidentally pulled out, unlock the on/off switch H (4) immediately and put it in the OFF-position in order to prevent uncontrolled restarting
- Do not apply so much pressure on the tool that it comes to a standstill

AFTER USE

- Before you put down the tool, switch off the motor and ensure that all moving parts have come to a complete standstill
- After switching off the tool, never stop the rotation of the accessory by a lateral force applied against it

WHEN CONNECTING NEW 3-PIN PLUG (U.K. ONLY):

- Do not connect the blue (= neutral) or brown (= live) wire in the cord of this tool to the earth terminal of the plug
- If for any reason the old plug is cut off the cord of this tool, it must be disposed of safely and not left unattended

TOOL ELEMENTS (4)

- A Spindle
- B Clamping flange
- C Spanner
- D Spindle-lock button
- E Auxiliary handle
- F Safety guard
- G Mounting flange
- H On/off locking switch

USE

- Mounting of accessories (4)
 - ! **disconnect the plug**
 - clean spindle A and all parts to be mounted
 - tighten clamping flange B with spanner C while pushing spindle-lock button D
 - for removing accessories handle vice-versa
 - ! **grinding/cutting discs become very hot during use; do not touch them until they have cooled down**

- ! **always mount backing pad when using sanding accessories**
- ! **never use a grinding/cutting disc without the label (“blotter”) which is glued onto it**
- Auxiliary handle ⑤
 - ! **disconnect the plug**
 - screw auxiliary handle E on the right or the left of the tool (depending on the work to be carried out)
- Protective guard
 - ! **disconnect the plug**
 - open protective guard F by loosening screw
 - place protective guard F on the spindle collar of the tool head and turn it to the required position (depending on the work to be carried out)
 - fasten protective guard F by tightening screw
 - ! **ensure that the closed side of the protective guard always points to the operator**
- Before using the tool
 - ensure that accessory is correctly mounted and firmly tightened
 - check if accessory runs freely by turning it by hand
 - test-run tool for at least 30 seconds at highest no-load speed in a safe position
 - stop immediately in case of considerable vibration or other defects and check tool to determine the cause
- On/off locking switch H ⑥
 - switch on tool ⑥a
 - ! **be aware of the sudden impact when the tool is switched on**
 - ! **before the accessory reaches the workpiece, the tool should run at full speed**
 - lock switch ⑥b
 - unlock switch/switch off tool ⑥c
 - ! **before switching off the tool, you should lift it from the workpiece**
 - ! **the accessory continues to rotate for a short time after the tool has been switched off**
- Electronic soft-start

Ensures reaching the maximum speed smoothly without a sudden impact when tool is switched on
- Electronic constant speed

Keeps the speed at a constant level as the load increases
- Grinding ⑦
 - move the tool back and forth with moderate pressure
 - ! **never use a cutting disc for side grinding**
- Cutting ⑧
 - do not tilt the tool while cutting
 - always move the tool in same direction as arrow on tool head, in order to prevent the tool from being pushed out of the cut in an uncontrolled manner
 - do not apply pressure on the tool; let the speed of the cutting disc do the work
 - the working speed of the cutting disc depends on the material to be cut
 - do not brake cutting discs with side pressure
- Holding and guiding the tool
 - always hold the tool firmly with both hands, so you will have full control of the tool at all times
 - provide for a secure stance

- pay attention to the direction of rotation; always hold the tool so, that sparks and grinding/cutting dust fly away from the body
- keep ventilation slots clear and uncovered

APPLICATION ADVICE

- Instead of flange B ④ the “CLIC” quick-clamping flange J ④ (SKIL accessory 2610388766) can be used; grinding/cutting discs can then be mounted without the use of accessory keys

GUARANTEE / ENVIRONMENT

- Always keep tool and cord clean (especially the ventilation slots)
 - ! **do not attempt to clean ventilation slots by inserting pointed objects through openings**
 - ! **disconnect the plug before cleaning**
- This SKIL product is guaranteed in accordance with statutory/country-specific regulations; damage due to normal wear and tear, overload or improper handling will be excluded from the guarantee
- In case of a complaint, send the tool undismantled together with proof of purchase to your dealer or the nearest SKIL service station (addresses as well as the service diagram of the tool are listed on www.skileurope.com)
- **Do not dispose of electric tools, accessories and packaging together with household waste material (only for EU countries)**
 - in observance of European Directive 2002/96/EC on waste of electric and electronic equipment and its implementation in accordance with national law, electric tools that have reached the end of their life must be collected separately and returned to an environmentally compatible recycling facility
 - symbol ⑨ will remind you of this when the need for disposing occurs

F

Meuleuse d'angle

9295

INTRODUCTION

- Cet outil sert au meulage, au tronçonnage et à l'ébarbage de pièces en métal et en pierre sans utiliser de l'eau; combiné avec des accessoires spécifiques, cet outil peut également servir au brossage et au ponçage
- Lisez et conservez ce manuel d'instruction ②

SPECIFICATIONS TECHNIQUES ①

SECURITE

INSTRUCTIONS GENERALES DE SECURITE

ATTENTION! Lisez toutes les instructions. Le non-respect des instructions indiquées ci-après peut entraîner un choc électrique, un incendie et/ou de graves blessures sur les personnes. La notion d'«outil électroportatif» mentionnée par la suite se rapporte à des outils électriques raccordés au secteur (avec câble de raccordement).

1) PLACE DE TRAVAIL

- a) **Maintenez l'endroit de travail propre et bien éclairé.**
Un lieu de travail en désordre ou mal éclairé augmente le risque d'accidents.
- b) **N'utilisez pas l'appareil dans un environnement présentant des risques d'explosion et où se trouvent des liquides, des gaz ou poussières inflammables.**
Les outils électroportatifs génèrent des étincelles risquant d'enflammer les poussières ou les vapeurs.
- c) **Tenez les enfants et autres personnes éloignés durant l'utilisation de l'outil électroportatif.**
En cas d'inattention vous risquez de perdre le contrôle sur l'appareil.

2) SECURITE RELATIVE AU SYSTEME ELECTRIQUE

- a) **La fiche de secteur de l'outil électroportatif doit être appropriée à la prise de courant. Ne modifiez en aucun cas la fiche. N'utilisez pas de fiches d'adaptateur avec des appareils avec mise à la terre.**
Les fiches non modifiées et les prises de courant appropriées réduisent le risque de choc électrique.
- b) **Evitez le contact physique avec des surfaces mises à la terre tels que tuyaux, radiateurs, fours et réfrigérateurs.** Il y a un risque élevé de choc électrique au cas où votre corps serait relié à la terre.
- c) **N'exposez pas l'outil électroportatif à la pluie ou à l'humidité.** La pénétration d'eau dans un outil électroportatif augmente le risque d'un choc électrique.
- d) **N'utilisez pas le câble à d'autres fins que celles prévues, n'utilisez pas le câble pour porter l'appareil ou pour l'accrocher ou encore pour le débrancher de la prise de courant. Maintenez le câble éloigné des sources de chaleur, des parties grasses, des bords tranchants ou des parties de l'appareil en rotation.**
Un câble endommagé ou torsadé augmente le risque d'un choc électrique.
- e) **Au cas où vous utiliseriez l'outil électroportatif à l'extérieur, utilisez une rallonge autorisée homologuée pour les applications extérieures.**
L'utilisation d'une rallonge électrique homologuée pour les applications extérieures réduit le risque d'un choc électrique.

3) SECURITE DES PERSONNES

- a) **Restez vigilant, surveillez ce que vous faites. Faites preuve de bon en utilisant l'outil électroportatif. N'utilisez pas l'appareil lorsque vous êtes fatigué ou après avoir consommé de l'alcool, des drogues ou avoir pris des médicaments.** Un moment d'inattention lors de l'utilisation de l'appareil peut entraîner de graves blessures sur les personnes.
- b) **Portez des équipements de protection. Portez toujours des lunettes de protection.** Le fait de porter des équipements de protection personnels tels que masque anti-poussières, chaussures de sécurité antidérapantes, casque de protection ou protection acoustique suivant le travail à effectuer, réduit le risque de blessures.

- c) **Evitez une mise en service par mégarde. Assurez-vous que l'interrupteur est effectivement en position d'arrêt avant de retirer la fiche de la prise de courant.**
Le fait de porter l'appareil avec le doigt sur l'interrupteur ou de brancher l'appareil sur la source de courant lorsque l'interrupteur est en position de fonctionnement, peut entraîner des accidents.
- d) **Enlevez tout outil de réglage ou toute clé avant de mettre l'appareil en fonctionnement.** Une clé ou un outil se trouvant sur une partie en rotation peut causer des blessures.
- e) **Ne surestimez pas vos capacités. Veillez à garder toujours une position stable et équilibrée.** Ceci vous permet de mieux contrôler l'appareil dans des situations inattendues.
- f) **Portez des vêtements appropriés. Ne portez pas de vêtements amples ni de bijoux. Maintenez cheveux, vêtements et gants éloignés des parties de l'appareil en rotation.** Des vêtements amples, des bijoux ou des cheveux longs peuvent être happés par des pièces en mouvement.
- g) **Si des dispositifs servant à aspirer ou à recueillir les poussières doivent être utilisés, vérifiez que ceux-ci soient effectivement raccordés et qu'ils sont correctement utilisés.** L'utilisation de tels dispositifs réduit les dangers dus aux poussières.

4) UTILISATION ET EMPLOI SOIGNEUX DE L'OUTIL ELECTROPORTATIF

- a) **Ne surchargez pas l'appareil. Utilisez l'outil électroportatif approprié au travail à effectuer.** Avec l'outil électroportatif approprié, vous travaillerez mieux et avec plus de sécurité à la vitesse pour laquelle il est prévu.
- b) **N'utilisez pas un outil électroportatif dont l'interrupteur est défectueux.** Un outil électroportatif qui ne peut plus être mis en ou hors fonctionnement est dangereux et doit être réparé.
- c) **Retirez la fiche de la prise de courant avant d'effectuer des réglages sur l'appareil, de changer les accessoires, ou de ranger l'appareil.** Cette mesure de précaution empêche une mise en fonctionnement par mégarde.
- d) **Gardez les outils électroportatifs non utilisés hors de portée des enfants. Ne permettez pas l'utilisation de l'appareil à des personnes qui ne se sont pas familiarisées avec celui-ci ou qui n'ont pas lu ces instructions.** Les outils électroportatifs sont dangereux lorsqu'ils sont utilisés par des personnes non initiées.
- e) **Prenez soin des outils électroportatifs. Vérifiez que les parties en mouvement fonctionnent correctement et qu'elles ne soient pas coincées, et contrôlez si des parties sont cassées ou endommagées de telle sorte que le bon fonctionnement de l'appareil s'en trouve entravé. Faites réparer les parties endommagées avant d'utiliser l'appareil.** De nombreux accidents sont dus à des outils électroportatifs mal entretenus.
- f) **Maintenez les outils de coupe aiguisés et propres.** Des outils soigneusement entretenus avec des bords tranchants bien aiguisés se coincent moins souvent et peuvent être guidés plus facilement.

- g) **Utilisez les outils électroportatifs, les accessoires, les outils à monter etc. conformément à ces instructions et aux prescriptions en vigueur pour ce type d'appareil. Tenez compte également des conditions de travail et du travail à effectuer.**

L'utilisation des outils électroportatifs à d'autres fins que celles prévues peut entraîner des situations dangereuses.

5) SERVICE

- a) **Ne faites réparer votre outil électroportatif que par un personnel qualifié et seulement avec des pièces de rechange d'origine.** Ceci permet d'assurer la sécurité de l'appareil.

INSTRUCTIONS DE SECURITE POUR MEULEUSES D'ANGLE

GENERALITES

- Utilisez uniquement cet outil pour le meulage et le tronçonnage à sec
- Utilisez uniquement les brides livrées avec l'outil
- Cet outil est interdit aux jeunes n'ayant pas atteint l'âge de 16 ans
- **Toujours débranchez l'outil avec tout réglage ou changement d'accessoire**

ACCESSOIRES

- Utilisez les accessoires d'origine SKIL en vente chez votre concessionnaire SKIL
- Pour le montage et l'utilisation d'accessoires n'étant pas de la marque SKIL, observez les instructions du fabricant concerné
- La vitesse admissible des accessoires utilisées doit être au moins aussi élevée que la vitesse à vide maximale de l'outil
- N'utilisez jamais de disques de meulage/tronçonnage endommagés, déformés ou vibrants
- Traitez et stockez les disques de meulage/tronçonnage avec précaution pour éviter de les endommager
- Protégez les accessoires contre les impacts, les chocs et la graisse
- Ne pas utiliser une dimension de disques à meuler/tronçonner autre que le diamètre recommandé
- Utilisez uniquement les disques de meulage/tronçonnage dont l'orifice s'adapte parfaitement à la bride de montage G ④; n'utilisez jamais de réducteurs ni d'adaptateurs pour ajuster des disques ayant un orifice plus grand
- Ne jamais utilisez de disques de meulage/tronçonnage ayant un orifice fileté dont le filet n'est pas suffisamment longue pour recevoir la longueur de l'arbre de l'outil
- Ne jamais utilisez d'accessoires avec un orifice fileté borgne plus petit que M14 x 21 mm

UTILISATION A L'EXTERIEUR

- Branchez l'outil par l'intermédiaire d'un coupe-circuit (FI) avec courant de réaction de 30 mA au maximum
- Toujours utilisez un câble de prolongement spécial pour l'extérieur équipé d'une prise résistant aux éclaboussures

AVANT L'USAGE

- Avant d'utiliser l'outil pour la première fois, s'en faites enseigner le maniement pratique
- **Ne pas travailler de matériaux contenant de l'amiante** (l'amiante est considérée comme étant cancérigène)
- **Prenez des mesures de sécurité, lorsque des poussières nuisibles à la santé, inflammables ou explosives peuvent être générées lors du travail** (certaines poussières sont considérées comme étant cancérigènes); portez un masque anti-poussières et utilisez un dispositif d'aspiration de poussières/de copeaux s'il est possible de raccorder un tel dispositif
- Faites attention aux câblages électriques ou aux tuyauteries de gaz et d'eau cachées; contrôlez toujours les lieux de travail par exemple à l'aide d'un détecteur de métaux
- Faites fort attention à la découpe d'entailles, particulièrement dans des murs de soutènement (les murs de soutènement sont soumis à des régulations en fonction du pays; il faut en toutes circonstances observer ces régulations)
- Serrez la pièce dans le cas où elle ne resterait pas stationnaire de par son propre poids
- Ne pas serrez l'outil dans un étai
- Utilisez un câble de prolongement complètement déroulé et de bonne qualité d'une capacité de 16 A
- Utilisez des lunettes et des gants de protection, des casques anti-bruit ③ et des chaussures solides; au besoin, utilisez un tablier
- Toujours placez la poignée auxiliaire E ⑤ et le protège-main F ④; ne jamais utilisez l'outil sans avoir pris ces dispositions
- S'assurez que l'outil est hors service en le branchant

PENDANT L'USAGE

- Tenez le câble à distance des parties mobiles de l'outil; orientez le câble vers l'arrière le plus loin possible de l'outil
- Si le câble a été endommagé ou coupé pendant le travail, ne pas y touchez, mais débranchez immédiatement la fiche; ne jamais utilisez l'outil avec un câble endommagé
- Poussez uniquement le bouton de blocage D ④ lorsque l'arbre A ④ est à l'arrêt
- Ne pas approchez les mains des accessoires en rotation
- Lors du meulage de métal, des étincelles se produisent; veillez à ce que d'autres personnes et du matériau combustible ne se trouvent pas dans les environs immédiats de ce travail
- En cas de dysfonctionnement électrique ou mécanique, mettez directement l'outil hors service et débranchez la fiche
- Au cas où le disque de tronçonnage est bloqué, ayant pour conséquence des saccades, mettez directement l'outil hors service
- En cas d'interruption de courant ou de débranchement accidentel de la fiche, débloquent immédiatement l'interrupteur marche/arrêt H ④ et le tirez en position OFF pour éviter une remise en route non contrôlée
- Ne pas exercer une pression excessive sur l'outil, de sorte qu'il s'arrête

APRES L'USAGE

- Avant de déposer l'outil, mettez le moteur hors service et s'assurez que toutes les pièces mobiles se sont complètement arrêtées
- Après la mise hors service, ne jamais arrêtez la rotation de l'accessoire en exerçant une force latérale

ELEMENTS DE L'OUTIL ④

- A Arbre
- B Bride de serrage
- C Clé
- D Bouton de blocage de l'arbre
- E Poignée auxiliaire
- F Protège-main
- G Bride de montage
- H Interrupteur marche/arrêt de verrouillage

UTILISATION

- Montage des accessoires ④
 - ! **débranchez la fiche**
 - nettoyez l'arbre A ainsi que toutes les pièces à monter
 - serrez la bride de serrage B avec la clé C tout en appuyant sur le bouton de blocage D
 - procédez dans l'ordre inverse pour démonter les accessoires
 - ! **à l'usage, les disques de meulage/tronçonnage s'échauffent énormément; ne pas y toucher avant qu'ils ne se soient refroidis**
 - ! **toujours montez le support plateau lorsqu'on utilise des accessoires de ponçage**
 - ! **ne jamais utilisez de disque de meulage/tronçonnage ne portant pas l'étiquette collée dessus**
- Poignée auxiliaire ⑤
 - ! **débranchez la fiche**
 - vissez la poignée auxiliaire E à droite ou à gauche de l'outil (selon le travail à effectuer)
- Protège-main
 - ! **débranchez la fiche**
 - ouvrez le protège-main F en desserrant la vis
 - disposez le protège-main F sur le collier d'axe de la tête d'outil et le tournez en position adéquate (selon le travail à effectuer)
 - fixez le protège-main F en serrant la vis
 - ! **s'assurez que la section fermée du protège-main soit toujours dirigée vers l'opérateur**
- Avant toute utilisation
 - assurez-vous que l'accessoire soit correctement monté et serré
 - vérifiez manuellement que l'accessoire tourne aisément
 - testez l'outil à vide au moins 30 secondes à vitesse maximum dans une position de sécurité
 - arrêtez l'outil immédiatement dans le cas de vibrations considérables ou la présence d'autres défauts et vérifiez l'outil pour en déterminer la cause
- Interrupteur on/off de verrouillage H ⑥
 - mettez en marche l'outil ⑤a
 - ! **assurez-vous de l'impact brusque de la puissance à la mise en marche de l'outil**

- ! **avant que l'accessoire atteigne la pièce à travailler, l'outil doit tourner à la vitesse maximum**
- verrouillez l'interrupteur ⑥b
- déverrouillez l'interrupteur/arrêtez l'outil ⑥c
- ! **avant d'arrêter votre outil, vous devez le retirez de la pièce à travailler**

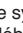
- ! **l'accessoire continue à tourner quelques temps après que l'outil ait été arrêté**
- Démarrage progressif électronique
 - Permet d'atteindre progressivement la vitesse maximum sans provoquer d'à-coups au moment de la mise en marche de l'outil
- Vitesse constante électronique
 - Maintient la vitesse constante au fur et à mesure que la pression augmente
- Meulage ⑦
 - déplacez l'outil de côté et d'autre et exercez une pression modérée
 - ! **ne jamais utilisez un disque de tronçonnage pour le meulage latéral**
- Tronçonnage ⑧
 - ne pas inclinez l'outil pendant le tronçonnage
 - toujours déplacez l'outil dans la même direction marquée par la flèche sur la tête, afin d'éviter que l'outil ne sorte avec violence de l'entaille
 - ne jamais appliquez une trop forte pression sur l'outil; laissez au disque le soin de faire le travail de par sa propre vitesse
 - la vitesse de travail du disque de tronçonnage dépend du matériau à tronçonner
 - ne pas freinez les disques de tronçonnage en appliquant une pression latérale
- Tenue et guidage de l'outil
 - toujours tenez l'outil fermement à deux mains pour bien le maîtriser dans toutes les circonstances et à tout moment
 - veillez à ce que votre position soit bien stable
 - prêtez attention au sens de rotation de l'outil; toujours tenez l'outil de telle sorte que les étincelles et les éclats de meulage/tronçonnage ne soient pas dirigés vers le corps de l'opérateur
 - veillez à ce que les aérations soient libres et découvertes

CONSEILS D'UTILISATION

- Au lieu de la bride B ④, il est possible d'utiliser la bride de serrage rapide J ④ (accessoire SKIL 2610388766); les disques de meulage/tronçonnage peuvent alors être montés sans avoir besoin de clé spéciale

GARANTIE / ENVIRONNEMENT

- Gardez toujours votre outil et le câble propres (spécialement les aérations)
 - ! **ne tentez pas de nettoyer les aérations en introduisant des objets pointus par les fentes**
 - ! **débranchez la fiche avant le nettoyage**
- Ce produit SKIL est garanti conformément aux dispositions légales/nationales; tout dommage dû à l'usure normale, à une surcharge ou à une mauvaise utilisation de l'outil, sera exclu de la garantie


- En cas de problème, retournez l'outil **non démonté** au vendeur ou à la station-service SKIL la plus proche, en joignant la preuve d'achat (les adresses ainsi que la vue éclatée de l'outil figurent sur www.skileurope.com)
- **Ne pas jetez les outils électriques, les accessoires et l'emballage dans les ordures ménagères** (pour les pays européens uniquement)
 - conformément à la directive européenne 2002/96/EG relative aux déchets d'équipements électriques ou électroniques, et à sa transposition dans la législation nationale, les outils électriques usés doivent être collectés à part et être soumis à un recyclage respectueux de l'environnement
 - le symbole  vous en souvient quand la nécessité du débarras se présente

D

Winkelschleifer

9295

EINFÜHRUNG

- Dieses Werkzeug ist für das Schruppen, Trennen und Entgraten von Metall- und Steinwerkstoffen ohne Zuhilfenahme von Wasser bestimmt; mit geeignetem Zubehör kann das Werkzeug auch für das Anschleifen und Schleifen benutzt werden
- Bitte diese Bedienungsanleitung sorgfältig lesen und aufbewahren 

TECHNISCHE DATEN

SICHERHEIT

ALLGEMEINE SICHERHEITSHINWEISE

ACHTUNG! Sämtliche Anweisungen sind zu lesen. Fehler bei der Einhaltung der nachstehend aufgeführten Anweisungen können elektrischen Schlag, Brand und/oder schwere Verletzungen verursachen. Der nachfolgend verwendete Begriff "Elektrowerkzeug" bezieht sich auf netzbetriebene Elektrowerkzeuge (mit Netzkabel).

1) ARBEITSPLATZ

- Halten Sie Ihren Arbeitsbereich sauber und aufgeräumt.** Unordnung und unbeleuchtete Arbeitsbereiche können zu Unfällen führen.
- Arbeiten Sie mit dem Gerät nicht in explosionsgefährdeter Umgebung, in der sich brennbare Flüssigkeiten, Gase oder Stäube befinden.** Elektrowerkzeuge erzeugen Funken, die den Staub oder die Dämpfe entzünden können.
- Halten Sie Kinder und andere Personen während der Benutzung des Elektrowerkzeugs fern.** Bei Ablenkung können Sie die Kontrolle über das Gerät verlieren.

2) ELEKTRISCHE SICHERHEIT

- Der Anschlussstecker des Gerätes muss in die Steckdose passen. Der Stecker darf in keiner Weise verändert werden. Verwenden Sie keine Adapterstecker gemeinsam mit schutzgeerdeten Geräten.** Unveränderte Stecker und passende Steckdosen verringern das Risiko eines elektrischen Schlages.

- Vermeiden Sie Körperkontakt mit geerdeten Oberflächen, wie von Rohren, Heizungen, Herden und Kühlschränken.** Es besteht ein erhöhtes Risiko durch elektrischen Schlag, wenn Ihr Körper geerdet ist.
- Halten Sie das Gerät von Regen oder Nässe fern.** Das Eindringen von Wasser in ein Elektrogerät erhöht das Risiko eines elektrischen Schlages.
- Zweckentfremden Sie das Kabel nicht, um das Gerät zu tragen, aufzuhängen oder um den Stecker aus der Steckdose zu ziehen. Halten Sie das Kabel fern von Hitze, Öl, scharfen Kanten oder sich bewegenden Geräteteilen.** Beschädigte oder verwickelte Kabel erhöhen das Risiko eines elektrischen Schlages.
- Wenn Sie mit einem Elektrowerkzeug im Freien arbeiten, verwenden Sie nur Verlängerungskabel, die auch für den Außenbereich zugelassen sind.** Die Anwendung eines für den Außenbereich geeigneten Verlängerungskabels verringert das Risiko eines elektrischen Schlages.

3) SICHERHEIT VON PERSONEN

- Seien Sie aufmerksam, achten Sie darauf, was Sie tun, und gehen Sie mit Vernunft an die Arbeit mit einem Elektrowerkzeug. Benutzen Sie das Gerät nicht, wenn Sie müde sind oder unter dem Einfluss von Drogen, Alkohol oder Medikamenten stehen.** Ein Moment der Unachtsamkeit beim Gebrauch des Gerätes kann zu ernsthaften Verletzungen führen.
- Tragen Sie persönliche Schutzausrüstung und immer eine Schutzbrille.** Das Tragen persönlicher Schutzausrüstung, wie Staubmaske, rutschfeste Sicherheitsschuhe, Schutzhelm oder Gehörschutz, je nach Art und Einsatz des Elektrowerkzeuges, verringert das Risiko von Verletzungen.
- Vermeiden Sie eine unbeabsichtigte Inbetriebnahme. Vergewissern Sie sich, dass der Schalter in der Position „AUS“ ist, bevor Sie den Stecker in die Steckdose stecken.** Wenn Sie beim Tragen des Geräts den Finger am Schalter haben oder das Gerät eingeschaltet an die Stromversorgung anschließen, kann dies zu Unfällen führen.
- Entfernen Sie Einstellwerkzeuge oder Schraubenschlüssel, bevor Sie das Gerät einschalten.** Ein Werkzeug oder Schlüssel, der sich in einem drehenden Geräteteil befindet, kann zu Verletzungen führen.
- Überschätzen Sie sich nicht. Sorgen Sie für einen sicheren Stand und halten Sie jederzeit das Gleichgewicht.** Dadurch können Sie das Gerät in unerwarteten Situationen besser kontrollieren.
- Tragen Sie geeignete Kleidung. Tragen Sie keine weite Kleidung oder Schmuck. Halten Sie Haare, Kleidung und Handschuhe fern von sich bewegenden Teilen.** Lockere Kleidung, Schmuck oder lange Haare können von sich bewegenden Teilen erfasst werden.
- Wenn Staubabsaug- und -auffangeinrichtungen montiert werden können, vergewissern Sie sich, dass diese angeschlossen sind und richtig verwendet werden.** Das Verwenden dieser Einrichtungen verringert Gefährdungen durch Staub.

4) SORGFÄLTIGER UMGANG UND GEBRAUCH VON ELEKTROWERKZEUGEN

- a) **Überlasten Sie das Gerät nicht. Verwenden Sie für Ihre Arbeit das dafür bestimmte Elektrowerkzeug.** Mit dem passenden Elektrowerkzeug arbeiten Sie besser und sicherer im angegebenen Leistungsbereich.
- b) **Benutzen Sie kein Elektrowerkzeug, dessen Schalter defekt ist.** Ein Elektrowerkzeug, das sich nicht mehr ein- oder ausschalten lässt, ist gefährlich und muss repariert werden.
- c) **Ziehen Sie den Stecker aus der Steckdose, bevor Sie Geräteeinstellungen vornehmen, Zubehörteile wechseln oder das Gerät weglegen.** Diese Vorsichtsmaßnahme verhindert den unbeabsichtigten Start des Geräts.
- d) **Bewahren Sie unbenutzte Elektrowerkzeuge außerhalb der Reichweite von Kindern auf. Lassen Sie Personen das Gerät nicht benutzen, die mit diesem nicht vertraut sind oder diese Anweisungen nicht gelesen haben.** Elektrowerkzeuge sind gefährlich, wenn Sie von unerfahrenen Personen benutzt werden.
- e) **Pflegen Sie das Gerät mit Sorgfalt. Kontrollieren Sie, ob bewegliche Geräteteile einwandfrei funktionieren und nicht klemmen, ob Teile gebrochen oder so beschädigt sind, dass die Funktion des Gerätes beeinträchtigt ist. Lassen Sie beschädigte Teile vor dem Einsatz des Geräts reparieren.** Viele Unfälle haben ihre Ursache in schlecht gewarteten Elektrowerkzeugen.
- f) **Halten Sie Schneidwerkzeuge scharf und sauber.** Sorgfältig gepflegte Schneidwerkzeuge mit scharfen Schneidkanten verklemmen sich weniger und sind leichter zu führen.
- g) **Verwenden Sie Elektrowerkzeug, Zubehör, Einsatzwerkzeuge usw. entsprechend diesen Anweisungen und so, wie es für diesen speziellen Gerätetyp vorgeschrieben ist. Berücksichtigen Sie dabei die Arbeitsbedingungen und die auszuführende Tätigkeit.** Der Gebrauch von Elektrowerkzeugen für andere als die vorgesehenen Anwendungen kann zu gefährlichen Situationen führen.
- #### 5) SERVICE
- a) **Lassen Sie Ihr Gerät nur von qualifiziertem Fachpersonal und nur mit Original-Ersatzteilen reparieren.** Damit wird sichergestellt, dass die Sicherheit des Geräts erhalten bleibt.

SICHERHEITSHINWEISE FÜR WINKELSCHLEIFER

ALLGEMEINES

- Dieses Werkzeug nur zum Trockenschruppen/-trennen verwenden
- Nur die mit diesem Werkzeug mitgelieferten Flansche verwenden
- Der Benutzer dieses Werkzeuges sollte älter als 16 Jahre sein
- **Ziehen Sie grundsätzlich den Netzstecker, bevor Sie beliebige Änderungen an den Einstellungen oder einen Zubehörwechsel vornehmen**

ZUBEHÖR

- Benutzen Sie das Original-Zubehör, welches bei unseren Fachhändlern oder den SKIL-Vertragswerkstätten erhältlich ist
- Bei Verwendung von Fremdfabrikaten beim Zubehör bitte die Hinweise des Herstellers beachten
- Nur Zubehör verwenden, dessen zulässige Drehzahl mindestens so hoch ist wie die höchste Leerlaufdrehzahl des Werkzeuges
- Rissige, verformte oder vibrierende Schrupp-/Trennscheiben dürfen nicht verwendet werden
- Mit Schrupp-/Trennscheiben soll vorsichtig umgegangen werden, zur Vermeidung von Splintern oder Rissen
- Zubehör ist vor Stoß-, Schlag- und Fetteinwirkung zu schützen
- Eine Schrupp-/Trennscheibe, die größer ist als das maximal empfohlene Ausmaß, darf nicht verwendet werden
- Verwenden Sie nur Schrupp-/Trennscheiben mit einem Lochdurchmesser, der spielfrei zu Flansch G ④ paßt; verwenden Sie niemals Reduktionsstücke oder Adapter, um Schrupp-/Trennscheiben mit einem größeren Loch passend zu machen
- Verwenden Sie niemals Schrupp-/Trennscheiben mit einem Loch, dessen Gewindelänge nicht mindestens der Länge der Gewindespindel des Werkzeuges entspricht
- Verwenden Sie niemals Zubehör mit geschlossenem Gewinde unter einer Größe von M14 x 21 mm

ANWENDUNG IM FREIEN

- Das Werkzeug über einen Fehlerstrom- (FI) Schutzschalter mit einem Auslösestrom von 30 mA Max. anschließen
- Nur ein Verlängerungskabel benutzen, das für die Anwendung im Freien vorgesehen und mit einer spritzwassergeschützten Anschlußstelle versehen ist

VOR DER ANWENDUNG

- Vor der erstmaligen Anwendung des Werkzeuges wird die Einholung praktischer Informationen empfohlen
- **Bearbeiten Sie kein asbesthaltiges Material** (Asbest gilt als krebserregend)
- **Treffen Sie Schutzmaßnahmen, wenn beim Arbeiten gesundheitsschädliche, brennbare oder explosive Stäube entstehen können** (manche Stäube gelten als krebserregend); tragen Sie eine Staubschutzmaske und verwenden Sie, wenn anschließbar, eine Staub-/Späneabsaugung
- Auf versteckte Elektrokabel oder Gas- und Wasserleitungen achten; den Arbeitsbereich prüfen, beispielsweise mit einem Metalldetektor
- Beim Nutenfräsen muß vorsichtig vorgegangen werden, insbesondere in tragenden Wänden (Langlöcher in tragenden Wänden sind Gegenstand landesspezifischer Vorschriften; diese Vorschriften sind unter allen Umständen einzuhalten)
- Das Werkstück einspannen, falls es nicht aufgrund seines Eigengewichtes in der Ruhelage verharrt
- Das Werkzeug darf nicht in einen Schraubstock gespannt werden
- Bei Benutzung von Verlängerungskabeln ist darauf zu achten, daß das Kabel völlig abgerollt ist und eine Kapazität von 16 A hat

- Schutzbrille und -handschuhe, Gehörschutz ③ und Sicherheitsschuhe tragen; gegebenenfalls auch eine Schürze tragen
- Stets Seitengriff E ⑤ und Schutzhaube F ④ anbringen; das Werkzeug nie ohne sie benutzen
- Beim Anschließen sicherstellen, daß das Werkzeug ausgeschaltet ist

WÄHREND DER ANWENDUNG

- Das Kabel stets von umlaufenden Teilen des Werkzeuges fernhalten; das Kabel nach hinten - vom Werkzeug weg - halten
- Wenn das Kabel bei der Arbeit beschädigt oder durchtrennt wird, das Kabel nicht berühren, sondern den Netzstecker sofort ziehen; das Werkzeug niemals mit beschädigtem Kabel benutzen
- Spindelarretierungsknopf D ④ nur dann drücken, wenn Spindel A ④ stillsteht
- Hände von umlaufendem Zubehör fernhalten
- Beim Schleifen von Metall entstehen Funken; halten Sie andere Personen sowie brennbare Materialien von Ihrem Arbeitsbereich fern
- Bei elektrischer oder mechanischer Fehlfunktion das Werkzeug sofort ausschalten und den Netzstecker ziehen
- Falls die Schruppscheibe blockiert ist und dies zu ruckartigen Kräften am Werkzeug führt, ist das Werkzeug sofort auszuschalten
- Bei Unterbrechung der Stromversorgung oder versehentlichem Ziehen des Netzsteckers ist der Ein-/Aus-Schalter H ④ sofort zu entriegeln und in die AUS-Stellung zu bringen, um unkontrolliertes Wiederanlaufen zu verhindern
- Nicht soviel Druck auf das Werkzeug ausüben, daß es zum Stillstand kommt

NACH DER ANWENDUNG

- Sobald Sie sich von Ihrem Werkzeug entfernen, sollte dieses ausgeschaltet werden und sollten die sich bewegenden Teile vollkommen zum Stillstand gekommen sein
- Zubehör darf nach dem Ausschalten des Antriebes nicht durch seitliches Gegendrücken gebremst werden

WERKZEUGKOMPONENTEN ④

- A Spindel
- B Spannflansch
- C Spanschlüssel
- D Spindelarretierungsknopf
- E Seitengriff
- F Schutzhaube
- G Befestigungsflansch
- H Ein-/Aus Arretierungsschalter

ANWENDUNG

- Montieren des Zubehörs ④
 - ! **den Netzstecker ziehen**
 - Spindel A und alle zu montierenden Teile reinigen
 - Spannmutter B mit Zweilooschlüssel C anziehen, während Sie Spindelarretierungsknopf D drücken
 - zum Entfernen des Zubehörs in umgekehrter Reihenfolge vorgehen

- ! **Schrupp-/Trennscheiben laufen bei Gebrauch sehr heiß; sie nicht berühren, bevor sie abgekühlt sind**
- ! **montieren Sie immer den Schleifteller, wenn Sie Schleif-Zubehör benutzen**
- ! **eine Schrupp-/Trennscheibe niemals ohne das Schild, das angeklebt ist, benutzen**

- Seitengriff ⑤
 - ! **den Netzstecker ziehen**
 - Seitengriff E kann rechts oder links am Werkzeug angeschraubt werden (je nach auszuführender Arbeit)
- Schutzhaube
 - ! **den Netzstecker ziehen**
 - Schutzhaube F durch Lösen von Schraube öffnen
 - Schutzhaube F auf das Spindelhalbslager des Werkzeugkopfes setzen und in die gewünschte Position drehen (je nach auszuführender Arbeit)
 - Schutzhaube F durch Anziehen von Schraube befestigen
 - ! **sicherstellen, daß die geschlossene Seite der Schutzhaube stets zum Bediener zeigt**
- Vor dem Gebrauch Ihres Werkzeuges
 - sicherstellen, daß das Zubehör richtig montiert und fest angezogen ist
 - den freien Lauf des montierten Zubehörs durch Drehen von Hand überprüfen
 - einen Probelauf vornehmen, bei dem Sie das Werkzeug in einer sicheren Position mindestens 30 Sekunden mit höchster Geschwindigkeit unbelastet laufen lassen
 - bei beträchtlichen Vibrationen oder anderen Defekten das Werkzeug sofort ausschalten und die mögliche Ursache herausfinden
- Ein-/Aus Arretierungsschalter H ⑥
 - Werkzeug einschalten ⑥a
 - ! **beachten Sie den plötzlichen Ruck beim Einschalten des Werkzeuges**
 - ! **bevor das Zubehör in das Werkstück eingeführt wird, muß erst Höchstgeschwindigkeit erreicht werden**
 - Schalter arretieren ⑥b
 - Arretierung lösen/Werkzeug ausschalten ⑥c
 - ! **vor dem Ausschalten ihres Werkzeuges sollen Sie es vom Werkstück fernhalten**
 - ! **nach dem Ausschalten des Werkzeuges dreht sich das Zubehör noch einige Sekunden weiter**
- Elektronischer Sanftanlauf
 - Sichert das Erreichen der Maximalgeschwindigkeit ohne den plötzlichen Ruck beim Einschalten des Werkzeuges
- Elektronische Konstant-Geschwindigkeit
 - Hält die Geschwindigkeit bei steigender Belastung auf einem konstanten Niveau
- Trennen ⑦
 - das Werkzeug mit mäßigem Druck vor und zurück bewegen
 - ! **eine Trennscheibe darf nicht zum Seiten-Schleifen verwendet werden**
- Schruppen ⑧
 - das Werkzeug nicht anwinkeln bei Schrupparbeiten
 - das Werkzeug stets in dieselbe Richtung wie den Pfeil am Werkzeugkopf führen, um zu verhindern, daß das Werkzeug auf unkontrollierte Weise aus dem Eingriffsbereich herausgedrückt wird

- nicht zuviel Druck auf das Werkzeug ausüben; die Geschwindigkeit der Trennscheibe besorgt den Rest
- die Arbeitsdrehzahl der Trennscheibe hängt vom zu schneidenden Werkstoff ab
- Trennscheiben nicht durch seitliches Gegendrücken bremsen
- Halten und Führen des Werkzeuges
 - halten Sie das Werkzeug mit beiden Händen fest, um es stets unter Kontrolle zu haben
 - auf sicheren Stand achten
 - auf die Drehrichtung achten; das Werkzeug stets so halten, daß Funken und Schrupp-/Trennstaub vom Körper weg fliegen
 - Lüftungsschlitze frei und unbedeckt halten

ANWENDUNGSHINWEISE

- Anstelle der Spannmutter B ④ kann die „CLIC“ Schnellspannmutter J ④ (SKIL Zubehör 2610388766) verwendet werden; Schrupp-/Trennscheiben können dann ohne Zubehör-Schlüssel montiert werden

GARANTIE / UMWELT

- Halten Sie Werkzeug und Kabel immer sauber (insbesondere die Lüftungsschlitze)
! **versuchen Sie nicht zu reinigen indem Sie spitze Gegenstände durch die Lüftungsschlitze stecken**
! **Netzstecker vor dem Säubern ziehen**
- Für dieses SKIL-Erzeugnis leisten wir Garantie gemäß den gesetzlichen/landesspezifischen Bestimmungen; Schäden, die auf natürliche Abnutzung, Überlastung oder unsachgemäße Behandlung zurückzuführen sind, bleiben von der Garantie ausgeschlossen
- Bei Beanstandung das Werkzeug **unzerlegt**, zusammen mit dem Kaufbeleg, an den Lieferer oder die nächste SKIL-Vertragswerkstätte senden (die Anschriftenlisten so wie die Ersatzteilzeichnung des Werkzeuges finden Sie unter www.skileurope.com)
- **Elektrowerkzeuge, Zubehör und Verpackungen nicht in den Hausmüll werfen** (nur für EU-Länder)
 - gemäß Europäischer Richtlinie 2002/96/EG über Elektro- und Elektronik- Altgeräte und Umsetzung in nationales Recht müssen nicht mehr gebrauchsfähige Elektrowerkzeuge getrennt gesammelt und einer umweltgerechten Wiederverwertung zugeführt werden
 - hieran soll Sie Symbol ⑨ erinnern

NL

Haakse slijper INTRODUCTIE

9295

- Deze machine is bestemd voor het (door)slijpen en afbramen van metaal en steen zonder gebruik van water; met de juiste accessoires kan de machine ook gebruikt worden voor borstelen en schuren
- Lees en bewaar deze gebruiksaanwijzing ②

TECHNISCHE SPECIFICATIES ①

VEILIGHEID

ALGEMENE VEILIGHEIDSVOORSCHRIFTEN

LET OP! Lees alle voorschriften. Wanneer de volgende voorschriften niet in acht worden genomen, kan dit een elektrische schok, brand of ernstig letsel tot gevolg hebben. Het hierna gebruikte begrip „elektrisch gereedschap” heeft betrekking op elektrische gereedschappen voor gebruik op het stroomnet (met aansluitkabel).

1) WERKOMGEVING

- Houd uw werkomgeving schoon en opgeruimd.**
Een rommelige of onverlichte werkomgeving kan tot ongevallen leiden.
- Werk met het gereedschap niet in een omgeving met explosiegevaar waarin zich brandbare vloeistoffen, gassen of stof bevinden.** Elektrische gereedschappen veroorzaken vonken die het stof of de dampen tot ontsteking kunnen brengen.
- Houd kinderen en andere personen tijdens het gebruik van het elektrische gereedschap uit de buurt.** Wanneer u wordt afgeleid, kunt u de controle over het gereedschap verliezen.

2) ELEKTRISCHE VEILIGHEID

- De aansluitstekker van het gereedschap moet in het stopcontact passen. De stekker mag in geen geval worden veranderd. Gebruik geen adapterstekkers in combinatie met geaarde gereedschappen.**
Onveranderde stekkers en passende stopcontacten beperken het risico van een elektrische schok.
 - Voorkom aanraking van het lichaam met geaarde oppervlakken, bijvoorbeeld van buizen, verwarmingen, fornuizen en koelkasten.** Er bestaat een verhoogd risico door een elektrische schok wanneer uw lichaam geaard is.
 - Houd het gereedschap uit de buurt van regen en vocht.** Het binnendringen van water in het elektrische gereedschap vergroot het risico van een elektrische schok.
 - Gebruik de kabel niet voor een verkeerd doel, om het gereedschap te dragen of op te hangen of om de stekker uit het stopcontact te trekken. Houd de kabel uit de buurt van hitte, olie, scherpe randen en bewegende gereedschappdelen.** Beschadigde of in de war geraakte kabels vergroten het risico van een elektrische schok.
 - Wanneer u buitenshuis met elektrisch gereedschap werkt, dient u alleen verlengkabels te gebruiken die voor gebruik buitenshuis zijn goedgekeurd.** Het gebruik van een voor gebruik buitenshuis geschikte verlengkabel beperkt het risico van een elektrische schok.
- ### 3) VEILIGHEID VAN PERSONEN
- Wees alert, let goed op wat u doet en ga met verstand te werk bij het gebruik van het elektrische gereedschap. Gebruik het gereedschap niet wanneer u moe bent of onder invloed staat van drugs, alcohol of medicijnen.** Een moment van onoplettendheid bij het gebruik van het gereedschap kan tot ernstige verwondingen leiden.

- b) **Draag persoonlijke beschermende uitrusting en altijd een veiligheidsbril.** Het dragen van persoonlijke beschermende uitrusting zoals een stofmasker, slipvaste werkschoenen, een veiligheidshelm of gehoorbescherming, afhankelijk van de aard en het gebruik van het elektrische gereedschap, vermindert het risico van verwondingen.
- c) **Voorkom per ongeluk inschakelen. Controleer dat de schakelaar in de stand „UIT“ staat voordat u de stekker in het stopcontact steekt.** Wanneer u bij het dragen van het gereedschap uw vinger aan de schakelaar hebt of wanneer u het gereedschap ingeschakeld op de stroomvoorziening aansluit, kan dit tot ongevallen leiden.
- d) **Verwijder instelgereedschappen of schroefslutels voordat u het gereedschap inschakelt.** Een instelgereedschap of sleutel in een draaiend deel van het gereedschap kan tot verwondingen leiden.
- e) **Overschat uzelf niet. Zorg ervoor dat u stevig staat en steeds in evenwicht blijft.** Daardoor kunt u het gereedschap in onverwachte situaties beter onder controle houden.
- f) **Draag geschikte kleding. Draag geen loshangende kleding of sieraden. Houd haren, kleding en handschoenen uit de buurt van bewegende delen.** Loshangende kleding, sieraden en lange haren kunnen door bewegende delen worden meegenomen.
- g) **Wanneer stofafzuigings- of stofopvangvoorzieningen kunnen worden gemonteerd, dient u zich ervan te verzekeren dat deze zijn aangesloten en juist worden gebruikt.** Het gebruik van deze voorzieningen beperkt het gevaar door stof.
- 4) GEBRUIK EN ONDERHOUD VAN ELEKTRISCHE GEREEDSCHAPPEN**
- a) **Overbelast het gereedschap niet. Gebruik voor uw werkzaamheden het daarvoor bestemde elektrische gereedschap.** Met het passende elektrische gereedschap werkt u beter en veiliger binnen het aangegeven capaciteitsbereik.
- b) **Gebruik geen elektrisch gereedschap waarvan de schakelaar defect is.** Elektrisch gereedschap dat niet meer kan worden in- of uitgeschakeld, is gevaarlijk en moet worden gerepareerd.
- c) **Trek de stekker uit het stopcontact voordat u het gereedschap instelt, toebehoren wisselt of het gereedschap weglegt.** Deze voorzorgsmaatregel voorkomt onbedoeld starten van het gereedschap.
- d) **Bewaar niet-gebruikte elektrische gereedschappen buiten bereik van kinderen. Laat het gereedschap niet gebruiken door personen die er niet mee vertrouwd zijn en deze aanwijzingen niet hebben gelezen.** Elektrische gereedschappen zijn gevaarlijk wanneer deze door onervaren personen worden gebruikt.
- e) **Verzorg het gereedschap zorgvuldig. Controleer of bewegende delen van het gereedschap correct functioneren en niet vastklemmen en of onderdelen zodanig gebroken of beschadigd zijn dat de werking van het gereedschap nadelig wordt beïnvloed. Laat beschadigde delen repareren voordat u het gereedschap gebruikt.** Veel ongevallen hebben hun oorzaak in slecht onderhouden elektrische gereedschappen.
- f) **Houd snijdende inzetgereedschappen scherp en schoon.** Zorgvuldig onderhouden snijdende inzetgereedschappen met scherpe snijkanten klemmen minder snel vast en zijn gemakkelijker te geleiden.
- g) **Gebruik elektrische gereedschappen, toebehoren, inzetgereedschappen en dergelijke volgens deze aanwijzingen en zoals voor dit speciale gereedschapstype voorgeschreven. Let daarbij op de arbeidsomstandigheden en de uit te voeren werkzaamheden.** Het gebruik van elektrische gereedschappen voor andere dan de voorziene toepassingen kan tot gevaarlijke situaties leiden.
- 5) SERVICE**
- a) **Laat het gereedschap alleen repareren door gekwalificeerd en vakkundig personeel en alleen met originele vervangingsonderdelen.** Daarmee wordt gewaarborgd dat de veiligheid van het gereedschap in stand blijft.

VEILIGHEIDSVOORSCHRIFTEN VOOR HAAKSE SLIJPERS

ALGEMEEN

- Gebruik deze machine alleen voor droog (door)slijpen
- Gebruik alleen de bij deze machine geleverde flenzen/ spanmoeren
- Deze machine mag niet worden gebruikt door mensen, die jonger zijn dan 16 jaar
- **Trek altijd de stekker uit het stopcontact voordat u een instelling verandert of een accessoire verwisselt**

ACCESSOIRES

- Gebruik de originele SKIL accessoires, die verkrijgbaar zijn bij uw SKIL handelaar
- Neem voor het monteren/gebruiken van niet-SKIL accessoires de instructies van de betreffende fabrikant in acht
- Gebruik alleen accessoires met een toegestaan toerental, dat minstens even hoog is als het hoogste onbelaste toerental van de machine
- Gebruik geen beschadigde, vervormde of trillende afbraam-/ (door)slijpschijven
- Ga voorzichtig met afbraam-/ (door)slijpschijven om en berg deze zorgvuldig op; dit ter voorkoming van splinters en scheuren
- Bescherm accessoires tegen slagen, stoten, en vet
- Gebruik geen afbraam-/ (door)slijpschijven, die groter zijn dan de maximaal aanbevolen diameter
- Gebruik alleen afbraam-/ (door)slijpschijven met een asgat-diameter, waarbij opname-flens G ④ zonder speling past; gebruik nooit verklein- of aansluitstukken om afbraam-/ (door)slijpschijven met een groot asgat passend te maken

- Gebruik nooit afbraam-/ (door) slijpschijven met een schroefdraad-opname, waarvan de schroefdraad korter is dan de lengte van de machine-as
- Gebruik nooit accessoires met een "blind" gat, waarvan de schroefdraad kleiner is dan M14 x 21 mm

GEbruIK BUITENSHUIS

- Sluit uw machine aan via een aardlekschakelaar (FI) met maximaal 30 mA uitschakelstroom
- Gebruik alleen een voor gebruik buitenshuis goedgekeurd verlengsnoer met een spatwaterdichte contactstop

VÓór GEbruIK

- Laat u zich vóór het eerstegebruik van de machine ook praktisch over de bediening uitleg geven
- **Bewerk geen asbesthoudend materiaal** (asbest geldt als kankerverwekkend)
- **Tref veiligheidsmaatregelen, wanneer er bij werkzaamheden stoffen kunnen ontstaan, die schadelijk voor de gezondheid, brandbaar of explosief zijn** (sommige soorten stof gelden als kankerverwekkend); draag een stofmasker en gebruik een afzuiging voor stof en spanen, als deze kan worden aangesloten
- Wees voorzichtig met verborgen electriciteitsdraden of gas- en waterleidingbuizen; controleer de werkomgeving, bijv. met een metaaldetector
- Wees voorzichtig met het frezen van sleuven, met name in dragende muren (voor sleuven in dragende muren gelden in Nederland specifieke voorschriften; deze voorschriften moeten beslist in acht genomen worden)
- Klem het werkstuk vast, als het niet door het eigen gewicht stabiel ligt
- Klem de machine niet vast in een bankschroef
- Gebruik volledig uitgerolde en veilige verlengsnoeren met een capaciteit van 16 Ampère
- Draag een veiligheidsbril, veiligheidshandschoenen, gehoorbescherming ③ en stevige schoenen; indien nodig, draag ook een schort
- Monteer altijd zijhandgreep E ⑤ en beschermkap F ④; gebruik de machine nooit zonder deze bestanddelen
- Zorg ervoor, dat de machine is uitgeschakeld, wanneer de stekker in het stopcontact gestoken wordt

TIDJDS GEbruIK

- Houd altijd het snoer verwijderd van de bewegende delen van uw machine; richt het snoer naar achteren, van de machine weg
- Als het snoer tijdens het werk beschadigd of doorgesneden wordt, raak dan het snoer niet aan, maar trek onmiddellijk de stekker uit het stopcontact; gebruik de machine nooit met een beschadigd snoer
- Druk asvergrendelknop D ④ alleen in, als as A ④ volledig stilstaat
- Houd uw handen uit de buurt van ronddraaiende accessoires
- Bij het slijpen van metaal ontstaan vonken; houd andere personen en brandbaar materiaal uit de buurt van de werkomgeving
- In geval van elektrische of mechanische storing, de machine onmiddellijk uitschakelen en de stekker uit het stopcontact trekken

- Wanneer de (door) slijpschijf geblokkeerd is, met een plotselinge reactiekracht van de machine als gevolg, de machine onmiddellijk uitschakelen
- Als de stroom is uitgevallen of de stekker per ongeluk uit het stopcontact wordt getrokken, de aan/uit-schakelaar H ④ onmiddellijk ontgrendelen en in de OFF-stand zetten, om ongecontroleerd herstarten te voorkomen
- Belast de machine niet zó sterk, dat deze tot stilstand komt

NA GEbruIK

- Voordat u uw machine wegzet, moet de motor uitgeschakeld zijn en alle bewegende delen tot stilstand zijn gekomen
- Na uitschakeling van uw machine, nooit een draaiend accessoire stoppen door er aan de zijkant iets tegenaan te drukken

MACHINE-ELEMENTEN ④

- A As
- B Spanmoer
- C Sleutel
- D Asvergrendelknop
- E Zijhandgreep
- F Beschermkap
- G Opname-flens
- H Aan/uit vergrendelschakelaar

GEbruIK

- Monteren van accessoires ④
 - ! **trek de stekker uit het stopcontact**
 - maak as A en alle te monteren delen schoon
 - draai spanmoer B vast met sleutel C, terwijl u asvergrendelknop D indrukt
 - voor verwijderen van accessoires handel vice-versa
 - ! **afbraam-/ (door) slijpschijven worden zeer heet tijdens gebruik; niet aanraken voordat ze zijn afgekoeld**
 - ! **monteer altijd de steunschijf bij gebruik van schuur-accessoires**
 - ! **gebruik een afbraam-/ (door) slijpschijf nooit zonder het etiket, dat erop gelijmd is**
- Zijhandgreep ⑤
 - ! **trek de stekker uit het stopcontact**
 - schroef zijhandgreep E aan de rechter- of linkerkant van de machine (afhankelijk van het werk dat gedaan moet worden)
- Beschermkap
 - ! **trek de stekker uit het stopcontact**
 - open beschermkap F door schroef los te draaien
 - plaats beschermkap F op de ashals aan de voorkant van de machine en draai het in de gewenste stand (afhankelijk van het werk dat gedaan moet worden)
 - zet beschermkap F vast door schroef vast te draaien
 - ! **zorg ervoor, dat de gesloten zijde van de beschermkap altijd naar de gebruiker wijst**
- Vóór gebruik van de machine
 - zorg ervoor, dat het accessoire correct gemonteerd en stevig vastgemaakt wordt
 - controleer, of het accessoire vrij loopt door het met de hand rond te draaien

- proefdraai de machine onbelast gedurende minstens 30 seconden op de hoogste snelheid in een veilige positie
- stop onmiddellijk indien de machine hevig trilt, of bij andere defecten, en controleer de machine teneinde de oorzaak te vinden
- Aan/Uit vergrendelingschakelaar H ⑥
 - schakel machine aan ⑥a
 - ! **houd bij het aanschakelen rekening met een plotselinge terugslag van de machine**
 - ! **voordat het accessoire in aanraking komt met het werkstuk, moet uw machine op volle toeren draaien**
 - vergrendel schakelaar ⑥b
 - ontgrendel schakelaar/schakel machine uit ⑥c
 - ! **voordat u uw machine uitschakelt, dient u deze van het werkstuk af te halen**
 - ! **het accessoire draait nog even door nadat de machine is uitgeschakeld**
- Electronisch geregelde langzame start
Laat het toerental van de machine langzaam oplopen, zonder dat men bij het inschakelen een reactiekracht waarneemt
- Electronisch geregelde constante snelheid
Houdt het toerental constant bij toenemende belasting
- Slijpen/afbramen ⑦
 - beweeg de machine heen en weer met matige druk
 - ! **gebruik nooit een doorslijpschijf voor afbraamwerkzaamheden**
- Doorslijpen ⑧
 - houd de machine niet schuin tijdens het doorslijpen
 - beweeg de machine altijd in dezelfde richting als de pijl op de voorkant van de machine om te voorkomen, dat de machine ongecontroleerd uit de snede wordt geduwd
 - forceer de machine niet; laat de snelheid van de doorslijpschijf het werk doen
 - de werksnelheid van de doorslijpschijf is afhankelijk van het door te slijpen materiaal
 - rem doorslijpschijven niet af door er aan de zijkant tegenaan te drukken
- Vasthouden en leiden van de machine
 - houd de machine altijd stevig met twee handen vast, zodat u deze altijd volledig onder controle hebt
 - zorg dat u stevig staat
 - let op de draairichting; houd de machine altijd zó vast, dat vonken of slijpstof van het lichaam wegvliegen
 - houd ventilatie-openingen open en onbedekt

TOEPASSINGSADVIES

- In plaats van spanmoer B ④ kan de "CLIC" snelspanmoer J ④ (SKIL accessoire 2610388766) worden gebruikt; afbraam-/ (door)slijpschijven kunnen dan zonder montage-sleutels worden gemonteerd

GARANTIE / MILIEU

- Houd machine en snoer altijd schoon (met name de ventilatie-openingen)
 - ! **geen puntige voorwerpen door de ventilatie-openingen steken**

! trek de stekker uit het stopcontact vóór het reinigen

- Voor dit SKIL-product geven wij garantie volgens de wettelijk geldende bepalingen; schade, die terug te voeren is op natuurlijke slijtage, overbelasting of onachtzaam gebruik, is van deze garantie uitgesloten
- In geval van een klacht de machine **ongedemonteerd**, samen met het aankoopbewijs, naar het verkoopadres of het dichtstbijzijnde SKIL service-station opsturen (de adressen evenals de onderdeeletekening van de machine vindt u op www.skileurope.com)
- **Geef elektrisch gereedschap, accessoires en verpakkingen niet met het huisvuil mee** (alleen voor EU-landen)
 - volgens de Europese richtlijn 2002/96/EG inzake oude elektrische en elektronische apparaten en de toepassing daarvan binnen de nationale wetgeving, dient afgedankt elektrisch gereedschap gescheiden te worden ingezameld en te worden afgevoerd naar een recycle-bedrijf, dat voldoet aan de geldende milieu-eisen
 - symbool ⑨ zal u in het afdankstadium hieraan herinneren

S

Vinkelslijpmaskin

9295

INTRODUKTION

- Denna maskin är avsedd för slipning, kapning och avgradning av metall- och stenmaterial utan användning av vatten; med lämpliga tillbehör kan den också användas för borstning och sandning
- Läs och spara denna instruktionsbok ②

TEKNISKA DATA ①

SÄKERHET

ALLMÄNNA SÄKERHETSANVISNINGAR

OBS! Samtliga anvisningar ska läsas. Fel som uppstår till följd av att anvisningarna nedan inte följs kan orsaka elektriskt slag, brand och/eller allvarliga kroppsskador. Nedan använt begrepp "Elverktyg" hänför sig till nätdrivna elverktyg (med nätsladd).

1) ARBETSPLATS

- Håll arbetsplatsen ren och välbelyst.** Oordning på arbetsplatsen och dåligt belyst arbetsområde kan leda till olyckor.
- Använd inte elverktyget i explosionsfarlig omgivning med brännbara vätskor, gaser eller damm.** Elverktygen alstrar gnistor som kan antända dammet eller gaserna.
- Håll under arbetet med elverktyget barn och obehöriga personer på betryggande avstånd.** Om du störs av obehöriga personer kan du förlora kontrollen över elverktyget.

2) ELEKTRISK SÄKERHET

- a) **Elverktygets stickpropp måste passa till vägguttaget. Stickproppen får absolut inte förändras. Använd inte adapterkontakter tillsammans med skyddsjordade elverktyg.** Oförändrade stickproppar och passande vägguttag reducerar risken för elektriskt slag.
- b) **Undvik kroppskontakt med jordade ytor som t. ex. rör, värmeelement, spisar och kylskåp.** Det finns en större risk för elektriskt slag om din kropp är jordad.
- c) **Skydda elverktyg mot regn och väta.** Tränger vatten in i ett elverktyg ökar risken för elektriskt slag.
- d) **Missbruka inte nätsladden och använd den inte för att bära eller hänga upp elverktyget och inte heller för att dra stickproppen ur vägguttaget. Håll nätsladden på avstånd från värme, olja, skarpa kanter och rörliga maskindelar.** Skadade eller tilltrasslade ledningar ökar risken för elektriskt slag.
- e) **När du arbetar med ett elverktyg utomhus använd endast förlängningssladdar som är godkända för utomhusbruk.** Om en lämplig förlängningssladd för utomhusbruk används minskar risken för elektriskt slag.

3) PERSONSÄKERHET

- a) **Var uppmärksam, kontrollera vad du gör och använd elverktyget med förnuft. Använd inte elverktyget när du är trött eller om du är påverkad av droger, alkohol eller mediciner.** Under användning av elverktyg kan även en kort uppmärksamhet leda till allvarliga kroppsskador.
 - b) **Bär alltid personlig skyddsutrustning och skyddsglasögon.** Den personliga skyddsutrustningen som t. ex. dammfiltermask, halkfria säkerhetsskor, hjälm eller hörselskydd – med beaktande av elverktygets modell och driftsätt – reducerar risken för kroppsskada.
 - c) **Undvik oavsiktlig igångsättning. Kontrollera att strömställaren står i läget "FRÅN" innan du kopplar stickproppen till vägguttaget.** Om du bär elverktyget med fingret på strömställaren eller ansluter påkopplat elverktyg till nätströmmen kan olycka uppstå.
 - d) **Ta bort alla inställningsverktyg och skruvnycklar innan du kopplar på elverktyget.** Ett verktyg eller en nyckel i en roterande komponent kan medföra kroppsskada.
 - e) **Överskatta inte din förmåga. Se till att du står stadigt och håller balansen.** I detta fall kan du lättare kontrollera elverktyget i oväntade situationer.
 - f) **Bär lämpliga kläder. Bär inte löst hängande kläder eller smycken. Håll håret, kläderna och handskarna på avstånd från rörliga delar.** Löst hängande kläder, smycken och långt hår kan dras in av roterande delar.
 - g) **Vid elverktyg med dammutrustning och -uppsamlingsutrustning kontrollera att anordningarna är rätt monterade och används på korrekt sätt.** Dessa anordningar reducerar faroriskerna i samband med damm.
- ## 4) OMSORGSFULL HANTERING OCH ANVÄNDNING AV ELVERKTYG
- a) **Överbelasta inte elverktyget. Använd för aktuellt arbete avsett elverktyg.** Med ett lämpligt elverktyg kan du arbeta bättre och säkrare inom angivet effektområde.

- b) **Ett elverktyg med defekt strömställare får inte längre användas.** Ett elverktyg som inte kan kopplas in eller ur är farligt och måste repareras.
 - c) **Dra stickproppen ur vägguttaget innan inställningar utförs, tillbehörsdelar byts ut eller elverktyget lagras.** Denna skyddsåtgärd förhindrar oavsiktlig inkoppling av elverktyget.
 - d) **Förvara elverktygen oåtkomliga för barn. Låt elverktyget inte användas av personer som inte är förtrogna med dess användning eller inte läst denna anvisning.** Elverktygen är farliga om de används av oerfarna personer.
 - e) **Sköt elverktyget omsorgsfullt. Kontrollera att rörliga komponenter fungerar felfritt och inte kärvar, att komponenter inte brustit eller skadats; orsaker som kan leda till att elverktygets funktioner påverkas menligt. Låt skadade delar repareras innan elverktyget återanvänds.** Många olyckor orsakas av dåligt skötta elverktyg.
 - f) **Håll skärverktygen skarpa och rena.** Omsorgsfullt skötta skärverktyg med skarpa eggar kommer inte så lätt i kläm och går lättare att styra.
 - g) **Använd elverktyget, tillbehör, insatsverktyg osv. enligt dessa anvisningar och på sätt som föreskrivits för aktuell verktygmodell. Ta hänsyn till arbetsvillkoren och arbetsmomenten.** Används elverktyget på icke ändamålsenligt sätt kan farliga situationer uppstå.
- ## 5) SERVICE
- a) **Låt elverktyget repareras endast av kvalificerad fackpersonal och med originalreservdelar.** Detta garanterar att elverktygets säkerhet upprätthålls.

SÄKERHETSANVISNINGAR FÖR VINKELSLIPMASKINER

ALLMÄNT

- Använd denna maskin endast för torr slipning/kapning
- Använd endast de flänsar som medföljer maskinen
- Maskinen skall endast användas av personer över 16 år
- **Dra alltid ur stickkontakten från vägguttaget innan du gör någon justering eller byter tillbehör**

TILLBEHÖR

- Använd SKIL originaltillbehör som du kan köpa hos närmaste SKIL-återförsäljare
- Vid montering av tillbehör från andra tillverkare än SKIL skall anvisningarna från vederbörande tillverkare följas
- Använd endast tillbehör vilkas tillåtna varvtal åtminstone motsvarar maskinens högsta tomgångsvarvtal
- Använd inte skadade deformationer eller vibrerande slip/kapskivor
- Hantera och förvara slip/kapskivor med försiktighet så att de inte flisar sig eller spricker
- Skydda tillbehören från slag, stötar och fett
- Använd inte en slip/kapskiva som är större än den största rekommenderade storleken
- Använd bara slip/kapskivor med en håldiameter som passar monteringsflänsen G ④ utan spel; använd aldrig en insatsbricka eller adapter för att fylla ett större centrumhål i slip/kapskivor

- Använd aldrig slip/kapskivor med gängat centrumhål som inte är tillräckligt långt för spindellängden
- Använd aldrig tillbehör med ett "blint" gängat hål som är mindre än M14 x 21 mm

ANVÄNDNING UTMOHUS

- Anslut maskinen till en jordfelsbrytare (FI) på högst 30 mA
- Använd bara en förlängningsladd som är avsedd för användning utomhus och är försedd med stänksäker kontakt

FÖRE ANVÄNDNINGEN

- Det är bäst att få någon att visa dig hur maskinen används innan du använder den för första gången
- **Asbesthaltigt material får inte bearbetas** (asbest anses vara cancerframkallande)
- **Vidta skyddsåtgärder om risk finns för att hälsovådligt, brännbart eller explosivt damm uppstår under arbetet** (vissa damm klassificeras som cancerframkallande ämnen); använd en dammfiltermask och om möjligt damm-/spånutsugning
- Var försiktig med dolda elkablar eller gas- och vattenrör; kontrollera området med t.ex. en metalldetektor
- Var försiktig när du skär skåror, särskilt i bärande väggar (det finns bestämmelser om skåror i bärande väggar; dessa bestämmelser växlar från land till land och måste följas under alla förhållanden)
- Spänn fast arbetsstycket om det inte ligger kvar av sin egen tyngd
- Spänn inte fast maskinen i ett städ
- Använd helt uttrullade och säkra förlängningsladdar med kapacitet på 16 A
- Använd skyddsglasögon och skyddshandskar, hörselskydd ③ och grova skor; använd vid behov förskinn
- Montera alltid extrahandtaget E ⑤ och skyddsskåpan F ④; använd aldrig maskinen utan dessa delar
- Se till att maskinen är avstängd innan du ansluter den till strömmen

UNDER ANVÄNDNINGEN

- Håll alltid sladden på avstånd från rörliga maskindelar; för sladden bakåt bort från maskinen
- Vidrör inte sladden om du råkar skada eller skära av den under arbetet; dra omedelbart ut kontakten; använd inte maskinen om sladden är skadad
- Tryck bara på spindellåsknappen D ④ när spindeln A ④ står stilla
- Håll händerna på avstånd från rörliga tillbehör
- Vid slipning av metall uppstår gnistor; håll därför andra personer och brännbart material på avstånd från arbetsområdet
- Om det uppstår något elektriskt eller mekaniskt fel måste maskinen genast stängas av och kontakten dras ut
- Om kapskivan blockeras så att maskinen utsätts för ryckande krafter, måste maskinen genast stängas av
- Om det blir strömbrott eller kontakten dras ut av misstag skall på/av-knappen H ④ omedelbart frigöras och ställas i AV-läge (OFF), så att maskinen inte kan starta upp igen obehåvakt
- Utöva inte så mycket tryck på maskinen att den stannar

EFTER ANVÄNDNINGEN

- Innan du ställer från dig maskinen måste du stänga av motorn och se till att alla rörliga delar har stannat helt
- Få aldrig tillbehöret att sluta rotera genom att utöva kraft på det från sidan efter det att maskinen har stängts av

VERKTYGSELEMENT ④

- A Spindel
- B Fastspänningsfläns
- C Nyckel
- D Spindellåsknapp
- E Extrahandtag
- F Skyddsskåpa
- G Monteringsfläns
- H På/av låsströmbrytare

ANVÄNDNING

- Montering av tillbehör ④
 - ! **drag ut kontakten**
 - gör ren spindeln A och alla delar som skall monteras
 - dra åt fastspänningsflänsen B med nyckel C och tryck samtidigt på spindellåsningsknappen D
 - för borttagning av tillbehör utförs förfarandet i omvänd ordning
 - ! **slip/kapskivor blir mycket varma under användningen; vidrör dem inte förrän de har svalnat**
 - ! **montera alltid bakstycket vid användning av tillbehör för sandning**
 - ! **använd aldrig en slip/kapskiva utan etikett; etiketten är fastklippt på skivan**
- Extrahandtag ⑤
 - ! **drag ut kontakten**
 - skruva extrahandtaget E på maskinens högra eller vänstra sida (beroende på arbetet som skall utföras)
- Skyddsskåpa
 - ! **drag ut kontakten**
 - öppna skyddsskåpan F genom att lossa skruven
 - sätt skyddsskåpan F på maskinhuvudets spindelfäste och vrid den till önskat läge (beroende på arbetet som skall utföras)
 - fäst skyddsskåpan F genom att dra åt skruven
 - ! **se till att den slutna sidan av skyddsskåpan alltid är riktad mot användaren**
- Före användning av maskinen
 - försäkra dig om att tillbehöret är korrekt monterat och ordentligt åtskruvat
 - kontrollera att tillbehöret rör sig obehindrat genom att vrida det för hand
 - testkör maskinen i minst 30 sekunder på maximalt tillåtna obelastade varvtal i en säker position
 - stanna omedelbart maskinen vid kraftig vibration eller om andra fel uppstått och kontrollera maskinen för att bedöma orsaken
- På/Av låsströmbrytare H ⑥
 - sätt på maskinen ⑥a
 - ! **maskinen snabbstartar och kan rycka till**
 - ! **innan tillbehöret sätts till arbetsstycket skall maskinen ha uppnått full hastighet**

- lås strömbrytaren ⑥b
- lösgör strömbrytaren/stäng av maskinen ⑥c
- ! **maskinen skall tas bort från arbetsstycket innan den stängs av**
- ! **tillbehöret fortsätter att rotera en kort stund efter att maskinen stängts av**

- Elektronisk mjukstart
För att mjukt och jämnt nå fram till maximalhastighet utan att maskinen rycker till när den startas
- Elektronisk konstant hastighet
Håller hastigheten konstant vid tilltagande belastning
- Slipning ⑦
 - rör maskinen fram och tillbaka med måttligt tryck
 - ! **använd aldrig en kapskiva för sidslipning**
- Kapning ⑧
 - vicka inte på maskinen vid kapning
 - rör alltid maskinen i samma riktning som maskinhuvudet så att maskinen inte kan skjutas ut ur skåran på ett okontrollerat sätt
 - utöva inte tryck på maskinen; låt kapskivans varvtal göra arbetet
 - kapskivans varvtal beror på materialet som skall kapas
 - bromsa inte upp kapskivor genom att trycka på sidan
- Hålla och styra maskinen
 - håll alltid stadigt i maskinen med båda händerna, så att du hela tiden har full kontroll över maskinen
 - se till att du står stadigt
 - tänk på rotationsriktningen och håll alltid maskinen så att gnistor och slip/skårdamm flyger bort från kroppen
 - håll ventilationsöppningarna fria och ej övertäckta

ANVÄNDNINGSTIPS

- I stället för B ④ kan "CLIC" snabbspänningsflänsen J ④ (SKIL-tillbehör 2610388766) användas; då kan slip/kapskivor monteras utan användning av tillbehörsnycklar

GARANTI / MILJÖ

- Håll alltid din maskin och sladden ren (speciellt ventilationsöppningarna)
! **rengöring får ej göras genom att föra spetsiga föremål genom ventilationsöppningarna**
! **drag ur stickkontakten innan rengöring**
- För SKIL produkter lämnas garanti enligt respektive lands gällande föreskrifter; skador som orsakats av normalt slitage, överbelastning eller fel hantering omfattas ej av garantin
- Vid fel sänd maskinen i **odemonterat skick** tillsammans med inköpskvitto till din återförsäljare eller närmsta auktoriserad SKIL serviceverkstad (adresser till servicestationer och sprängskisser av maskiner finns på www.skileurope.com)
- **Elektriska verktyg, tillbehör och förpackning får inte kastas i hushållssoporna** (gäller endast EU-länder)
 - enligt direktivet 2002/96/EG som avser äldre elektrisk och elektronisk utrustning och dess tillämpning enligt nationell lagstiftning ska uttjänta elektriska verktyg sorteras separat och lämnas till miljövänlig återvinning
 - symbolen ⑨ kommer att påminna om detta när det är tid att kassera

DK

Vinkelsliber

9295

INTRODUKTION

- Dette værktøj er beregnet til slibning, skæring og afgratning af metal og stenmaterialer uden brug af vand; med det rigtige tilbehør kan værktøjet også anvendes til skrubning og finslibning
- Læs og gem denne betjeningsvejledning ②

TEKNISKE SPECIFIKATIONER ①

SIKKERHED

GENERALE SIKKERHEDSINSTRUKSER

VIGTIGT! Læs alle instrukserne. I tilfælde af manglende overholdelse af nedenstående instrukser er der risiko for elektrisk stød, alvorlige personskader, og der kan opstå brandfare. Det benyttede begreb „el-værktøj“ refererer til netdrevne maskiner (med tilslutningsledning).

1) ARBEJDSPLADS

- Sørg for, at arbejdsområdet er rent og ryddeligt.**
Uorden og uoplyste arbejdsområder øger faren for uheld.
- Brug ikke maskinen i eksplosionstruede omgivelser, hvor der er brændbare væsker, gasser eller støv.**
El-værktøj kan slå gnister, der kan antænde støv eller dampe.
- Sørg for, at andre personer og ikke mindst børn holdes væk fra arbejdsområdet, når maskinen er i brug.** Hvis man distraheres, kan man miste kontrollen over maskinen.

2) ELEKTRISK SIKKERHED

- Maskinens stik skal passe til kontakten. Stikket må under ingen omstændigheder ændres. Brug ikke adapterstik sammen med jordforbundne maskiner.**
Uændrede stik, der passer til kontakterne, nedsætter risikoen for elektrisk stød.
- Undgå kropskontakt med jordforbundne overflader som f.eks. rør, radiatorer, komfurer og køleskabe.**
Hvis din krop er jordforbundet, øges risikoen for elektrisk stød.
- Maskinen må ikke udsættes for regn eller fugt.**
Indtrængning af vand i maskinen øger risikoen for elektrisk stød.
- Brug ikke ledningen til formål, den ikke er beregnet til (f.eks. må man aldrig bære maskinen i ledningen, hænge maskinen op i ledningen eller rykke i ledningen for at trække stikket ud af kontakten).**
Beskyt ledningen mod varme, olie, skarpe kanter eller maskindele, der er i bevægelse. Beskadigede eller udviklede ledninger øger risikoen for elektrisk stød.
- Hvis maskinen benyttes i det fri, må der kun benyttes en forlængerledning, der er godkendt til udendørs brug.** Brug af forlængerledning til udendørs brug nedsætter risikoen for elektrisk stød.

3) PERSONLIG SIKKERHED

- a) **Det er vigtigt at være opmærksom, se, hvad man laver, og bruge maskinen fornuftigt. Man bør ikke bruge maskinen, hvis man er træt, har nydt alkohol eller er påvirket af medicin eller euforiserende stoffer.** Få sekunders uopmærksomhed ved brug af maskinen kan føre til alvorlige personskader.
 - b) **Brug beskyttelsesudstyr og hav altid beskyttelsesbriller på.** Brug af sikkerhedsudstyr som f.eks. støvmaske, skridsikert fodtøj, beskyttelseshjelm eller høreværn afhængig af maskintype og anvendelse nedsætter risikoen for personskader.
 - c) **Undgå utilsigtet igangsætning. Kontrollér altid, at afbryderen står på OFF, før stikket sættes i.** Undgå at bære maskinen med fingeren på afbryderen og sørg for, at maskinen ikke er tændt, når den sluttes til nettet, da dette øger risikoen for personskader.
 - d) **Fjern indstillingsværktøj eller skruenøgle, inden maskinen tændes.** Hvis et stykke værktøj eller en nøgle sidder i en roterende maskindel, er der risiko for personskader.
 - e) **Overvurder ikke dig selv. Sørg for at stå sikkert, mens der arbejdes, og kom ikke ud af balance.** Det er derved nemmere at kontrollere maskinen, hvis der skulle opstå uventede situationer.
 - f) **Brug egnede arbejdstøj. Undgå løse beklædningsgenstande eller smykker. Hold hår, tøj og handsker væk fra dele, der bevæger sig.** Dele, der er i bevægelse, kan gribe fat i løstsiddende tøj, smykker eller langt hår.
 - g) **Hvis støvudsugnings- og opsamlingsudstyr kan monteres, er det vigtigt, at dette tilsluttes og benyttes korrekt.** Brug af dette udstyr nedsætter risikoen for personskader som følge af støv.
- #### 4) OMHYGGELIG OMGANG MED OG BRUG AF EL-VÆRKTØJ
- a) **Undgå overbelastning af maskinen. Brug altid en maskine, der er beregnet til det stykke arbejde, der skal udføres.** Med den rigtige maskine arbejder man bedst og mest sikkert inden for det angivne effektområde.
 - b) **Brug ikke en maskine, hvis afbryder er defekt.** En maskine, der ikke kan startes og stoppes, er farlig og skal repareres.
 - c) **Træk stikket ud af stikkontakten, inden maskinen indstilles, der skiftes tilbehørsdele, eller maskinen lægges fra.** Disse sikkerhedsforanstaltninger forhindrer utilsigtet start af maskinen.
 - d) **Opbevar ubenyttet el-værktøj uden for børns rækkevidde. Lad aldrig personer, der ikke er fortrolige med maskinen eller ikke har gennemlæst disse instrukser, benytte maskinen.** El-værktøj er farligt, hvis det benyttes af ukyndige personer.
 - e) **Maskinen bør vedligeholdes omhyggeligt. Kontroller, om bevægelige dele fungerer korrekt og ikke sidder fast, og om delene er brækket eller beskadiget, således at maskinens funktion påvirkes. Få beskadigede dele repareret, inden maskinen tages i brug.** Mange uheld skyldes dårligt vedligeholdte maskiner.

- f) **Sørg for, at skæreværktøjer er skarpe og rene.** Omhyggeligt vedligeholdte skæreværktøjer med skarpe skærekanter sætter sig ikke så hurtigt fast og er nemmere at føre.
- g) **Brug el-værktøj, tilbehør, indsatsværktøj osv. iht. disse instrukser, og sådan som det kræves for denne specielle værktøjstype. Tag hensyn til arbejdsforholdene og det arbejde, der skal udføres.** I tilfælde af anvendelse af værktøjet til formål, som ligger uden for det fastsatte anvendelsesområde, kan der opstå farlige situationer.

5) SERVICE

- a) **Sørg for, at maskinen kun repareres af kvalificerede fagfolk, og at der kun benyttes originale reservedele.** Dermed sikres størst mulig maskinsikkerhed.

SIKKERHEDSINSTRUKSER FOR VINKELSLIBERE

GENERELT

- Anvend kun dette værktøj til tør slibning/skæring
- Anvend kun flangerne, der leveres med dette værktøj
- Dette værktøj må ikke anvendes af personer under 16 år
- **Fjern altid først stikket fra kontakten, førend De foretager nogle ændringer eller skifter tilbehør**

TILBEHØR

- Anvend det originale SKIL tilbehør, som kan fås hos SKIL forhandleren
- Ved montering/anvendelse af tilbehør, der ikke er fremstillet af SKIL, skal den pågældende producents instruktioner overholdes nøje
- Der må kun benyttes tilbehør, hvis godkendte omdrejningstal er mindst så højt som værktøjets max. omdrejningstal i ubelastet tilstand
- Anvend aldrig beskadigede, deformerede eller vibrerende slibe/skæreskiver
- Slibe/skæreskiver skal altid behandles og opbevares omhyggeligt for at undgå, at de revner eller bliver beskadiget
- Beskyt tilbehør mod slag, stød og fedt
- Anvend aldrig en slibe/skæreskive, der er større end den maksimalt anbefalede størrelse
- Brug kun slibe/skæreskiver med en huldiameter, som passer til monteringsflangen G ④ uden spillerum; anvend aldrig reduktionsmuffer eller adaptorer for at få slibe/skæreskiver med større huller til at passe
- Anvend aldrig slibe/skæreskiver med et gevindhul, hvor gevindet ikke er langt nok til at tage værktøjets spindelængde
- Brug aldrig tilbehør med et "blindt" gevindhul, der er mindre end M14 x 21 mm

UDENDØRS BRUG

- Tilslut værktøjet via en fejlstrømsafbryder (FI) med en triggerstrøm på 30 mA maksimum
- Anvend kun en forlængerledning, der er egnet til udendørs brug og er udstyret med en stænkvangsbeskyttet koblingsstikkontakt

INDEN BRUG

- Inden værktøjet anvendes første gang, anbefales det, at man modtager praktisk undervisning
- **Bearbejd ikke asbestholdigt materiale** (asbest er kræftfremkaldende)

- **Træf de nødvendige foranstaltninger, hvis sundhedsskadeligt, brændbart eller eksplosivt støv kan opstå under arbejdet** (noget støv kan være kræftfremkaldende); brug en støvbeskyttelsesmaske samt en støv-/spåneopsugning, hvis en sådan kan tilsluttes
- Pas på skjulte el-ledninger eller gas- og vandrør; kontrollér arbejdsområdet, for eksempel med en metaldetektor
- Vær forsigtig, når der skæres furer, især i bærende mure (furer i bærende mure er underkastet landsspecifikke regler; disse regler skal altid overholdes; så før man begynder arbejdet)
- Spænd arbejdsemnet fast, hvis det ikke holder sig stille under sin egen vægt
- Spænd ikke værktøjet fast i en skruestik
- Anvend helt udrullede og sikre forlængerledninger med en kapacitet på 16 A (Storbritannien 13 A)
- Brug beskyttelsesbriller og -handsker, hørevern ③ og solide sko; hvor det er nødvendigt, skal man også bruge forklæde
- Montér altid støttegrebet E ⑤ og beskyttelsesskærmen F ④; anvend aldrig værktøjet uden disse dele
- Sørg for at der er slukket for værktøjet, når stikket sættes i stikkontakten

UNDER BRUG

- Hold altid ledningen væk fra værktøjets bevægelige dele; før altid ledningen bagud, væk fra værktøjet
- Hvis ledningen bliver beskadiget eller skæres over under arbejdet, må man aldrig røre ved ledningen, men skal omgående tage stikket ud; brug aldrig værktøjet med en beskadiget ledning
- Tryk kun på spindellåseknappen D ④, når spindlen A ④ ikke bevæger sig
- Hold hænderne væk fra roterende tilbehør
- Ved slibning af metal dannes der gnister; hold andre personer og brændbart materiale væk fra arbejdsstedet
- I tilfælde af elektriske eller mekaniske fejl skal man omgående slukke for værktøjet og tage stikket ud af stikkontakten
- Hvis skæreskiven bliver blokeret, hvilket medfører rykkende kræfter på værktøjet, skal man omgående slukke for værktøjet
- I tilfælde af strømafbrydelse eller når stikket ved et uheld trækkes ud af stikkontakten, skal tænd/sluk-låseafbryderen H ④ omgående låses op og sættes i slukket (OFF) stilling for at forhindre utilsigtet start
- Påfør ikke så meget tryk på værktøjet, at det standser

EFTER BRUG

- Før man lægger værktøjet fra sig, man slukke for motoren og sikre, at alle bevægelige dele er standset helt
- Efter at man har slukket for værktøjet, må man aldrig standse tilbehørets rotation ved at påføre en sidelæns kraft mod det

VÆRKTØJETS DELE ④

- A Spindel
- B Spændeflange
- C Nøgle
- D Spindellåseknop
- E Støttegreb
- F Beskyttelsesskærm
- G Monteringsflange
- H On/off låseafbryder

BRUG

- **Montering af tilbehør ④**
 - ! **tag stikket ud**
 - rengør spindlen A og alle de dele, der skal monteres
 - stram spændeflanger B med nøglen C, mens der trykkes på spindellåseknappen D
 - ved afmontering af tilbehørgreb og omvendt
 - ! **slibe/skæreskiver bliver meget varme under brug; rør ikke ved dem, før de er kølet af**
 - ! **montér altid bagpladen, når der anvendes slibetilbehør**
 - ! **anvend aldrig en slibe/skæreskive uden mærkaten, som er limet fast på den**
- **Støttegreb ⑤**
 - ! **tag stikket ud**
 - skru støttegrebet E på højre eller venstre side af værktøjet (afhængig af det arbejde, der skal udføres)
- **Beskyttelsesskærm**
 - ! **tag stikket ud**
 - åbn beskyttelsesskærmen F ved at løsne skruen
 - sæt beskyttelsesskærmen F på værktøjshovedets spindelkrave og drej den til den ønskede stilling (afhængig af det arbejde, der skal udføres)
 - fastgør beskyttelsesskærmen F ved at spænde skruen
 - ! **sørg for at den lukkede side af beskyttelsesskærmen altid vender mod brugeren**
- **Før ibrugtagning**
 - vær sikker, at tilbehøret er rigtigt monteret og sidder godt fast
 - check at tilbehøret løber frit ved at dreje det rundt med hånden
 - test værktøjet i min. 30 sekunder på nøjeste omdrejningstal i en sikker position
 - ved anselig vibration eller andre defekter, stop straks værktøjet og check værktøjet for at finde den mulige årsag hertil
- **On/off låseafbryder H ⑥**
 - tænd værktøjet ⑥a
 - ! **vær opmærksom på "det pludselige ryk" når værktøjet startes**
 - ! **lad værktøjet køre på fuld kraft for tilbehøret berører arbejdsemnet**
 - lås afbryderen ⑥b
 - udløs afbryderen/sluk værktøjet ⑥c
 - ! **værktøjet bør fjernes fra arbejdsemnet, før værktøjet afbrydes**
 - ! **tilbehøret fortsætter med at dreje rundt få sekunder efter at værktøjet er slukket**

- Elektronisk blød start
Den bløde acceleration sikrer at maksimalhastigheden nås uten et pludselig ryk i værktøjet, når det startes
- Elektronisk konstant hastighed
Sikrer en konstant hastighet, selvom trykket forøges
- Slibning ⑦
 - før værktøjet frem og tilbake med moderat tryk
- ! **anvend aldrig en skæreskive til sidelæns slibning**
- Skæring ⑧
 - hold aldrig værktøjet skråt ved skæring
 - bevæg alltid værktøjet i samme retning som pilen på værktøjshovedet for at undgå at værktøjet skubbes ud af udskæringen på en ukontrolleret måte
 - påfør ikke tryk på værktøjet; lad skæreskivens hastighet gøre arbejdet
 - skæreskivens arbeidshastighet afhænger af det materiale, der skal skæres
 - brems ikke skæreskiver ved at bruge sidelæns tryk
- Sådan holdes og styres værktøjet
 - man skal altid holde godt fast i værktøjet med begge hænder, så man har fuldt herredømme over værktøjet på alle tidspunkter
 - man skal stille sig sådan, at man står godt og sikkert
 - man skal være opmærksom på rotationsretningen; man skal alltid holde værktøjet således, at gnister og slibe/skærestøv flyver væk fra kroppen
 - man skal holde ventilationshullerne frie og utildækkede

GODE RÅD

- I stedet for flangen B ④ kan man anvende "CLIC" lydspændeflengen J ④ (SKIL tilbehør 2610388766); slibe/skæreskiver kan så monteres uden brug af tilbehørsgjenger

GARANTI / MILJØ

- Hold værktøjet og ledningen ren (især ventilationshullerne)
! **prøv ikke at rengøre ved at stikke spidse genstande igennem hullerne**
! **træk stikket ud før rønsning**
- Vi yder garanti på SKIL produkter i henhold til de lovmæssige bestemmelser og de bestemmelser, som gælder i det enkelte land; garantien dækker ikke normal sliddage, overbelastning eller fejlagtig anvendelse af værktøjet
- I tilfælde af en klage, send venligst det **uskilte** værktøj sammen med et køb-bevis til Deres værktøjsforhandler eller nærmeste autoriseret SKIL service værksted (adresser og reservedelstegning af værktøjet findes på www.skileurope.com)
- **Elvæktøj, tilbehør og emballage må ikke bortskaffes som almindeligt affald** (kun for EU-lande)
 - i henhold til det europæiske direktiv 2002/96/EF om bortskaffelse af elektriske og elektroniske produkter og gældende national lovgivning, skal brugt elværktøj indsamles separat og bortskaffes på en måde, der skåner miljøet mest muligt
 - symbolet ⑨ erindrer dig om dette, når udskiftning er nødvendig

N

Vinkelsliper

9295

INNLEDNING

- Dette værktøyet er beregnet for slibing, kapping og avsliping av støpe-grad på metall og steinmaterialer uten bruk av vann; ved å bruke hensiktsmessig tilbehør, kan værktøyet også brukes til børsting og pussing
- Les og ta vare på denne brukerveiledningen ②

TEKNISKE OPPLYSNINGER ①

SIKKERHET

GENERELLE SIKKERHETSANVISNINGER

OBS! Les gjennom alle anvisningene. Feil ved overholdelsen av nedenstående anvisninger kan medføre elektriske støt, brann og/eller alvorlige skader. Det nedenstående anvendte uttrykket «elektroverktøy» gjelder for strøm-drevne elektroverktøy (med ledning).

1) ARBEIDSPLASSEN

- a) **Hold arbeidsområdet rent og ryddig.** Rotete arbeidsområder og arbeidsområder uten lys kan føre til ulykker.
- b) **Ikke arbeid med maskinen i eksplosjonsutsatte omgivelser – der det finnes seg brennbare væsker, gass eller støv.** Elektroverktøy lager gnister som kan antenne støv eller damper.
- c) **Hold barn og andre personer unna når elektroverktøyet brukes.** Hvis du blir forstyrret under arbeidet, kan du miste kontrollen over maskinen.

2) ELEKTRISK SIKKERHET

- a) **Støpelet til maskinen må passe inn i stikkkontakten. Støpelet må ikke forandres på noen som helst måte. Ikke bruk adapterstøpsler sammen med jordede maskiner.** Bruk av støpsler som ikke er forandret på og passende stikkontakter reduserer risikoen for elektriske støt.
- b) **Unngå kroppskontakt med jordede overflater slik som rør, ovner, komfyrer og kjøleskap.** Det er større fare ved elektriske støt hvis kroppen din er jordet.
- c) **Hold maskinen unna regn eller fuktighet.** Dersom det kommer vann i et elektroverktøy, øker risikoen for elektriske støt.
- d) **Ikke bruk ledningen til andre formål, f.eks. til å bære maskinen, henge den opp eller trekke den ut av stikkkontakten. Hold ledningen unna varme, olje, skarpe kanter eller maskindeler som beveger seg.** Med skadede eller opphopede ledninger øker risikoen for elektriske støt.
- e) **Når du arbeider utendørs med et elektroverktøy, må du kun bruke en skjøteledning som er godkjent til utendørs bruk.** Når du bruker en skjøteledning som er egnet for utendørs bruk, reduseres risikoen for elektriske støt.

3) PERSONSIKKERHET

- a) **Vær oppmerksom, pass på hva du gjør, gå fornuftig frem når du arbeider med et elektroverktøy. Ikke bruk maskinen når du er trett eller er påvirket av narkotika, alkohol eller medikamenter.** Et øyeblikks uoppmerksomhet ved bruk av maskinen kan føre til alvorlige skader.
- b) **Bruk personlig verneutstyr og husk alltid å bruke vernebriller.** Bruk av personlig verneutstyr som støvmaske, sklisliske vernesko, hjelm eller hørselvern – avhengig av type og bruk av elektroverktøyet – reduserer risikoen for skader.
- c) **Unngå å starte verktøyet ved en feiltagelse. Forviss deg om at på-/av-bryteren står i «AV»-posisjon før du setter støpselet inn i stikkontakten.** Hvis du holder fingeren på bryteren når du bærer maskinen eller kobler maskinen til strømmen i innkoblet tilstand, kan dette føre til uhell.
- d) **Fjern innstillingsverktøy eller skrunøkler før du slår på elektroverktøyet.** Et verktøy eller en nøkkel som befinner seg i en roterende maskindel, kan føre til skader.
- e) **Ikke overvurder deg selv. Sørg for å stå stødig og i balanse.** Dermed kan du kontrollere maskinen bedre i uventede situasjoner.
- f) **Bruk alltid egnede klær. Ikke bruk vide klær eller smykker. Hold hår, tøy og hansker unna deler som beveger seg.** Løstsittende tøy, smykker eller langt hår kan komme inn i deler som beveger seg.
- g) **Hvis det kan monteres støvavsug- og oppsamlingsinnretninger, må du forvise deg om at disse er tilkoblet og brukes på korrekt måte.** Bruk av disse innretningene reduserer faren på grunn av støv.
- ### 4) AKTOM HÅNTERING OG BRUK AV ELEKTROVERKTØY
- a) **Ikke overbelast maskinen. Bruk et elektroverktøy som er beregnet til den type arbeid du vil utføre.** Med et passende elektroverktøy arbeider du bedre og sikrere i det angitte effektområdet.
- b) **Ikke bruk elektroverktøy med defekt på-/avbryter.** Et elektroverktøy som ikke lenger kan slås av eller på, er farlig og må repareres.
- c) **Trekk støpselet ut av stikkontakten før du utfører innstillinger på maskinen, skifter tilbehørsdeler eller legger maskinen bort.** Disse tiltakene forhindrer en utilsiktet starting av maskinen.
- d) **Elektroverktøy som ikke er i bruk må oppbevares utilgjengelig for barn. Ikke la maskinen brukes av personer som ikke er fortrolig med dette eller ikke har lest disse anvisningene.** Elektroverktøy er farlige når de brukes av uerfarne personer.
- e) **Vær nøye med vedlikeholdet av maskinen. Kontroller om bevegelige maskindeler fungerer feilfritt og ikke klemmes fast, og om deler er brukket eller skadet, slik at dette innvirker på maskinens funksjon. La skadete deler repareres før maskinen brukes.** Dårlig vedlikeholdte elektroverktøy er årsaken til mange uhell.
- f) **Hold skjæreverktøyene skarpe og rene.** Godt stelte skjæreverktøy med skarpe skjær setter seg ikke så ofte fast og er lettere å føre.

- g) **Bruk elektroverktøy, tilbehør, verktøy osv. i henhold til disse anvisningene og slik det er foreskrevet for denne spesielle maskintypen. Ta hensyn til arbeidsforholdene og arbeidet som skal utføres.** Bruk av elektroverktøy til andre formål enn det som er angitt kan føre til farlige situasjoner.

5) SERVICE

- a) **Maskinen din skal alltid kun repareres av kvalifisert fagpersonale og kun med originale reservedeler.** Slik opprettholdes maskinens sikkerhet.

SIKKERHETSANVISNINGER FOR VINKELSLIPERE

GENERELL

- Verktøyet må kun brukes for tørrsliping og -kapping
- Bruk kun flensene som følger med verktøyet
- Verktøyet må ikke betjenes av personer under 16 år
- **Ta alltid ut kontakten før du forandrer innstillinger på sagen eller skifter tilbehør**

TILBEHØR

- Bruk originalt tilbehør fra SKIL som leveres fra forhandleren på stedet
- For montering og bruk av ikke-originalt SKIL tilbehør, henvises det til brukerveiledning fra aktuell produsent
- Bruk kun tilbehør med et godkjent turtall som er minst like høyt som verktøyets høyeste tomgangsturtall
- Bruk aldri slipe-/kappeskiver som er sprukket, deformert eller vibrerend
- Slipe-/kappeskiver må behandles med forsiktighet for å unngå flising eller sprekker
- Beskytt tilbehøret mot slag, støt og fett
- Bruk aldri større slipe-/kappeskiver enn det maksimale som er anbefalt
- Bruk kun slipe-/kappeskiver med hulldiameter som passer nøyaktig med flens G ④; bruk aldri reduksjoner eller adaptore for å montere slipe-/kappeskiver med større hulldiameter
- Bruk aldri slipe-/kappeskiver med gjenget hull hvor gjengene ikke er lange nok for å ta lengden på verktøyspindelen
- Bruk aldri tilbehør med et "blindt" gjenget sentrumshull mindre enn M14 x 21 mm

BRUK

- Verktøyet skal koples til via en feilstrombryter som kopleter ut på 30 mA maksimum
- Bruk bare skjøteledninger som er beregnet for bruk utendørs og som er utstyrt med sprutsikker stikk-kontakt

FØR BRUK

- Før verktøyet tas i bruk første gangen, må brukeren innhente praktisk informasjon
- **Ikke bearbeid asbestholdig material** (asbest kan fremkalle kreft)
- **Utfør beskyttelsestiltak hvis det kan oppstå helsefarlig, brennbar eller eksplosivt støv under arbeidet** (enkelte støvtyper kan være kreftfremkallende); bruk en støvmaske og bruk et støv-/ sponavsug, hvis dette kan koples til
- Vær forsiktig når det gjelder skjulte elektriske ledninger eller gass- og vannledninger; sjekk arbeidsstedet ved f.eks. å bruke en metalldetektor

- Vær forsiktig under skjæring av furer, spesielt i støttevegger (åpninger i støttevegger er underlagt lokale bestemmelser; nasjonale bestemmelser må følges til enhver tid)
- Spenn fast arbeidsstykket i tilfelle det ikke holdes på plass av sin egen vekt
- Verktøyet må ikke spennes fast i en skrustikke
- Bruk en sikker skjøteledning som er helt utrullet og uten knuter, og med en kapasitet på 16 A
- Bruk beskyttelsesbriller og hansker, hørselsvern ③ og tykke sko; hvis nødvendig, bruk også forkle
- Sidehåndtak E ⑤ og sikkerhetsdeksel F ④ skal alltid monteres; verktøyet må ikke brukes uten at disse delene er montert
- Forsikre deg om at verktøyet er slått av når strømledningen koples til

UNDER BRUK

- Strømledningen må alltid holdes unna roterende deler på verktøyet; sorg for at ledningen stikker ut bak og unna verktøyet
- Hvis strømledningen er skadd eller har fått kutt under bruk, må den ikke røres; trekk støpselet ut med en gang; verktøyet må aldri brukes med en skadd strømledning
- Spindellås D ④ skal bare skyves når spindel A ④ er stillestående
- Hold hendene borte fra roterende tilbehør
- Da det vil oppstå gnister under sliping av metall, skal andre personer og antenkelig materiale holdes unna arbeidsområdet
- I tilfelle en elektrisk eller mekanisk svikt, skal verktøyet med en gang slås av og støpselet trekkes ut
- I tilfelle skiven blokkeres, som kan gjøre at verktøyet rykker, må verktøyet slås av med en gang
- I tilfelle strøbrudd, eller hvis støpselet trekkes ut tilfeldig, lås opp Av/På-låsebryteren H ④ med en gang og sett den i AV (OFF)-stilling for å unngå utilsikket starting igjen
- Sett ikke så mye press på verktøyet at det stopper rotasjonen

ETTER BRUK

- Før du legger verktøyet fra deg, slå av motoren og forsikre deg om at alle roterende deler har stoppet helt
- Etter at strømmen på verktøyet har blitt slått av, må du ikke stoppe rotasjonen med sideveis kraft/press mot verktøyet

VERKTØYELEMENTER ④

- A Spindel
- B Klemflens
- C Skrunøkkel
- D Spindellås
- E Sidehåndtak
- F Sikkerhetsdeksel
- G Monteringsflens
- H Av/på låsebryter

BRUK

- Montering av tilbehør ④
 - ! **trekk ut støpselet**
 - foreta rengjøring av spindel A og alle delene som skal monteres
 - skru fast flens B med skrunøkkel C samtidig som spindellås D skyves
 - demontering av tilbehør skjer i motsatt rekkefølge
 - ! **slipe-/kappeskiver blir ekstra varme under bruk; rør ikke skivene før de har avkjølt**
 - ! **det må alltid monteres bakpute under bruk av tilbehør for sliping med sandpapir**
 - ! **det må aldri brukes slipe-/kappeskiver som ikke har klebemerket**
- Sidehåndtak ⑤
 - ! **trekk ut støpselet**
 - skru sidehåndtak E på høyre eller venstre side av verktøyet (avhengig av arbeidet som skal utføres)
- Sikkerhetsdeksel
 - ! **trekk ut støpselet**
 - åpne sikkerhetsdeksel F ved å løsne skruer
 - plasser sikkerhetsdeksel F på spindelhylsen av verktøyhodet og dreid den til ønsket stilling (avhengig av arbeidet som skal utføres)
 - fest sikkerhetsdeksel F ved å stramme skruer
 - ! **forsikre deg om at lukket side på sikkerhetsdekslet vender mot operatøren**
- Før bruk
 - vær sikker på at tilbehør er korrekt montert og festet skikkelig
 - sjekk om tilbehøret roterer fritt ved å snurre den ved hånd
 - test verktøyet i minimum 30 sekunder på høyeste hastighet i en sikker stilling uten å berøre arbeidsstykket
 - stopp øyeblikkelig dersom verktøyet vibrerer unormalt mye eller andre problemer oppstår, og sjekk verktøyet nøye
- Av/på låsebryter H ④
 - slå på verktøyet ⑥a
 - ! **et plutselig rykk er vanlig når verktøyet starter**
 - ! **før tilbehøret kommer i kontakt med arbeidsstykket, må verktøyet ha nådd max. hastighet**
 - lås bryteren ⑥b
 - frigjør bryteren/slå av verktøyet ⑥c
 - ! **før du slår av verktøyet, fjern det fra arbeidsstykket**
 - ! **skiven fortsetter å rotere i en kort periode etter at verktøyet er slått av**
- Elektronisk myk-start
 - For en jevn økning av maksimum hastigheten uten et plutselig rykk når verktøyet starter
- Elektronisk konstant hastighet
 - Holder hastigheten konstant etterhvert som belastningen økes
- Sliping ⑦
 - beveg verktøyet frem og tilbake med moderat trykk
 - ! **bruk aldri en kappeskive for sideveis sliping**

OHDANTO

- Tämä työkalu on tarkoitettu käytettäväksi metallin ja kivimateriaalien hiomista, leikkaamista ja puseroipoistamista varten ilman veden käyttämistä; asianmukaisten varusteiden kanssa työkalua voidaan käyttää myös harjaamista ja hiekkapaperihiontaa varten
- Lue ja säilytä tämä ohjekirja ②

TEKNISET TIEDOT ①

TURVALLISUUS

YLEISET TURVALLISUUSOHJEET

HUOMIO! Kaikki ohjeet täytyy lukea. Alla olevien ohjeiden noudattamisen laiminlyönti saattaa johtaa sähköiskuun, tulipaloon ja/tai vakavaan loukkaantumiseen. Seuraavassa käytetty käsite "sähkötyökalu" käsittää verkkokäyttöisiä sähkötyökaluja (verkkojohdolla).

1) TYÖPAIKKA

- Pidä työskentelyalue puhtaana ja hyvin valaistuna.** Työpaikan epäjärjestys ja valaisemattomat työalueet voivat johtaa tapaturmiin.
- Älä työskentele sähkötyökalulla räjähdyksalttiissa ympäristössä, jossa on palavaa nestettä, kaasua tai pölyä.** Sähkötyökalu muodostaa kipinöitä, jotka saattavat sytyttää pölyn tai höyryt.
- Pidä lapset ja sivulliset loitolla sähkötyökalua käyttäessäsi.** Voit menettää laitteesi hallinnan, huomiosi suuntautuessa muualle.

2) SÄHKÖTURVALLISUUS

- Sähkötyökalun pistotulpan tulee sopia pistorasiaan. Pistotulppaa ei saa muuttaa millään tavalla. Älä käytä mitään pistorasia-adaptoreita maadoitettujen sähkötyökalujen kanssa.** Alkuperäisessä kunnossa olevat pistotulpat ja sopivat pistorasiat vähentävät sähköiskun vaaraa.
- Vältä koskettamasta maadoitettuja pintoja, kuten putkia, pattereita, liesiä tai jääkaappeja.** Sähköiskun vaara kasvaa, jos kehosi on maadoitettu.
- Älä aseta sähkötyökalua alttiiksi sateelle tai kosteudelle.** Veden tunkeutuminen sähkötyökalun sisään kasvattaa sähköiskun riskiä.
- Älä käytä verkkojohtoa väärin. Älä käytä sitä sähkötyökalun kantamiseen, vetämiseen tai pistotulpan irrottamiseen pistorasiasta. Pidä johto loitolla kuumuudesta, öljystä, terävistä reunoista ja liikkuvista osista.** Vahingoittuneet tai soikeutuneet johdot kasvattavat sähköiskun vaaraa.
- Käyttäessäsi sähkötyökalua ulkona, käytä ainoastaan ulkokäyttöön soveltuvaa jatkojohtoa.** Ulkokäyttöön soveltuvan jatkojohdon käyttö pienentää sähköiskun vaaraa.

- Kapping ③
 - verktoyöet må ikke holdes i skråstilling under kappeoperasjonen
 - verktoyöet må alltid beveges i samme retning som pilen på verktoyöhodet for å unngå at verktoyöet skyves ut av sporet ukontrollert
 - legg ikke press på verktoyöet; la hastigheten på kappeskiven gjöre arbeidet
 - arbeidshastigheten på kappeskiven avhenger av materialet som skal kappes
 - kappeskivene vil gå i stykker dersom de utsettes for sideveis press
- Grep og styring av verktoyöet
 - hold verktoyöet godt fast med begge hender slik at du alltid har full kontroll over verktoyöet
 - sørg for at verktoyöet holdes stødig
 - vær oppmerksom på rotasjonsretningen; verktoyöet skal alltid holdes slik at gnister og støv under sliping og kapping flyr bort fra operatören
 - hold ventilasjonshullene utildekket

BRUKER TIPS

- I stedet for flens B ④ kan det du bruke "CLIC" hurtigfastspenningsflens J ④ (SKIL tilbehör 2610388766); med dette tilbehöret kan slipe-/kappeskiver monteres uten nøkler

GARANTI / MILJÖ

- Hold alltid verktoyöet og kabelen ren (spesielt ventilasjonshullene)
 - ! **ikke forsök å rengjöre ved å stikke spisse gjenstander gjennom ventilasjonshullen!**
 - ! **dra ut støpselet for rengjöring**
- For SKIL-produkter ytes det garanti i henhold til de lovbestemte/nasjonale bestemmelser; skader som kan tilbakeføres til naturlig slitasje, overbelastning eller uriktig behandling er utelukket fra garantien
- I tilfelle klage send verktoyöet i **montert** tilstand med kjøpsbevis til leverandören eller nærmeste SKIL serviceverksted (adresser liksom service diagram av verktoyöet finner du på www.skileurope.com)
- **Kast aldri elektroverktøy, tilbehör og emballasje i husholdningsavfallet** (kun for EU-land)
 - i henhold til EU-direktiv 2002/96/EF om kasserte elektriske og elektroniske produkter og direktivets iverksetting i nasjonal rett, må elektroverktøy som ikke lenger skal brukes, samles separat og returneres til et miljøvennlig gjenvinningsanlegg
 - symbolet ③ er påtrykt som en påminnelse når utskiftning er nødvendig

3) HENKILÖTURVALLISUUS

a) Ole valpas, kiinnitä huomiota työskentelyysi ja noudata tervettä järkeä sähkötyökalua käyttäessäsi.

Älä käytä sähkötyökalua, jos olet väsynyt tai huumeiden, alkoholin tahi lääkkeiden vaikutuksen alaisena. Hetken tarkkaamattomuus sähkötyökalua käytettäessä, saattaa johtaa vakavaan loukkaantumiseen.

b) Käytä suojavarusteita. Käytä aina suojalaseja.

Suojavarusteet, kuten pölynsuojanaamari, luistamattomat turvajalkineet, kypärä ja kuulosuojaimet pienentävät, tilanteen mukaan oikein käytettynä, loukkaantumisriskiä.

c) Vältä sähkötyökalun tahatonta käynnistämistä.

Varmista, että käynnistyskytkin on asennossa ”OFF”, ennen kuin kytket pistotulpan pistorasiaan.

Jos kannat sähkötyökalua sormi käynnistyskytkimellä tai kytket sähkötyökalun pistotulpan pistorasiaan, käynnistyskytkimen ollessa käyntiasennossa, altistaa itsesi onnettomuuksille.

d) Poista kaikki säätötyökalut ja ruuvitallat, ennen kuin käynnistät sähkötyökalun. Työkalu tai avain, joka sijaitsee laitteen pyöriässä osassa, saattaa johtaa loukkaantumiseen.

e) **Älä yliarvioi itseäsi. Huolehdi aina tukevasta seisoma-asennosta ja tasapainosta.** Täten voit paremmin hallita sähkötyökalua odottamattomissa tilanteissa.

f) Käytä tarkoitukseen soveltuvia vaatteita. **Älä käytä löysiä työvaatteita tai koruja. Pidä hiukset, vaatteet ja käsineet loitolla liikkuvista osista.** Väljät vaatteet, korut ja pitkät hiukset voivat takertua liikkuviin osiin.

g) **Jos pölynimu- ja keräilylaitteita voidaan asentaa, tulee sinun tarkistaa, että ne on liitetty ja että ne käytetään oikealla tavalla.** Näiden laitteiden käyttö vähentää pölyn aiheuttamia vaaroja.

4) SÄHKÖTYÖKALUJEN KÄYTTÖ JA HOITO

a) **Älä ylikuormita laitetta. Käytä kyseiseen työhön tarkoitettua sähkötyökalua.** Sopivaa sähkötyökalua käyttäen työskentelet paremmin ja varmemmin tehoalueella, jolle sähkötyökalu on tarkoitettu.

b) **Älä käytä sähkötyökalua, jota ei voida käynnistää ja pysäyttää käynnistyskytkimestä.** Sähkötyökalu, jota ei enää voida käynnistää ja pysäyttää käynnistyskytkimellä, on vaarallinen ja se täytyy korjata.

c) **Irrota pistotulppa pistorasiasta, ennen kuin suoritat säätöjä, vaihdat tarvikkeita tai siirrä sähkötyökalun varastoitavaksi.** Nämä turvatoimenpiteet pienentävät sähkötyökalun tahattoman käynnistysriskin.

d) **Säilytä sähkötyökalut poissa lasten ulottuvilta, kun niitä ei käytetä. Älä anna sellaisten henkilöiden käyttää sähkötyökalua, jotka eivät tunne sitä tai jotka eivät ole lukeneet tätä käyttöohjetta.** Sähkötyökalut ovat vaarallisia, jos niitä käyttävät kokemattomat henkilöt.

e) **Hoida sähkötyökalusi huolella. Tarkista, että liikkuvat osat toimivat moitteettomasti, eivätkä ole puristuksessa sekä, että siinä ei ole murtuneita tai vahingoittuneita osia, jotka saattaisivat vaikuttaa haitallisesti sähkötyökalun toimintaan. Anna korjauttaa mahdolliset viat ennen käyttöönottoa.** Monen taturturman syyt löytyvät huonosti huolletuista laitteista.

f) **Pidä leikkausterät terävinä ja puhtaina.** Huolellisesti hoidetut leikkaustyökalut, joiden leikkausreunat ovat teräviä, eivät tartu helposti kiinni ja niitä on helpompi hallita.

g) **Käytä sähkötyökaluja, tarvikkeita, vaihtotyökaluja jne. näiden ohjeiden mukaisesti ja tavalla, jota on säädetty erityisesti kyseiselle sähkötyökalulle. Ota tällöin huomioon työolosuhteet ja suoritettava toimenpide.** Sähkötyökalun käyttö muuhun kuin sille määrättyyn käyttöön, saattaa johtaa vaarallisiin tilanteisiin.

5) HUOLTO

a) **Anna koulutettujen ammattihenkilöiden korjata sähkötyökalusi ja hyväksy korjauksiin vain alkuperäisiä varaosia.** Täten varmistat, että sähkötyökalu säilyy turvallisena.

KULMAHIOMAKONEEN TURVALLISUUSOHJEET

YLEISTÄ

- Käytä tätä työkalua vain kuivahuointaa/jyrsintää varten
 - Käytä vain tämä työkalun yhteydessä toimitettuja laippoja
 - Tätä työkalua saavat käyttää vain 16 vuotta täyttäneet henkilöt
 - **Irrota aina pistotulppa pistorasiasta, ennen kuin suoritat laitteelle mitään säätöjä tai vaihdat tarviketta**
- #### VARUSTEET
- Käytä alkuperäisiä SKIL-varusteita, jotka ovat saatavana SKIL-myyntiliikkeestä
 - Muita kuin SKIL-varusteita kiinnitettäessä/käytettäessä noudata kyseisen valmistajan antamia ohjeita
 - Käytä vain tarvikkeita, joiden sallittu kierrosnopeus on vähintään yhtä suuri kuin laitteen suurin tyhjäkäyntikierrosluku
 - Älä käytä vaurioituneita, taittuneita tai säriseviä hionta/jyrsintälevyjä
 - Käsittele hionta/jyrsintälevyjä varoen ja säilytä ne huolellisesti lohkeilemisen ja murtumisen välttämiseksi
 - Suojele varusteita iskuja, törmäyksiä ja rasvaantumista vastaan
 - Älä käytä sellaista hionta/jyrsintälevyä, joka on suositeltua maksimikokoa suurempi
 - Käytä sellaisin reikähalkaisijoin varustettuja hionta/jyrsintälevyjä, jotka sopivat kiinnityslaippaan G ④ ilman muita varustuksia; älä koskaan käytä kavennuskappaleita tai muuntimia suurireikäisiin hionta/jyrsintälevyihin sovittamiseksi
 - Älä koskaan käytä sellaisia kierteitysreikiä omaavia hionta/jyrsintälevyjä, joissa kierteistys ei ole riittävän pitkä työkalun karan pituuden vastaantamiseksi
 - Älä koskaan käytä varusteita, joiden "sokea" kierteitysreikä on pienempi kuin M14 x 21 mm

KÄYTTÖ ULKOTILASSA

- Liitä työkalu vikavirran (FI) piirikatkaisimen kautta liipaisuvirtaan, jonka maksimi on 30 mA
- Käytä vain sellaista ulkona käytettävää jatkojohtoa, joka on varustettu roiskevedenpitävällä liittimellä

ENNEN KÄYTTÖÄ

- Ennen työkalun käyttöä ensimmäistä kertaa on suositeltavaa tutustua käytännön toimia koskevaan informaatioon
- **Älä koskaan työstä asbestipitoista ainetta** (asbestia pidetään karsinogeenisena)
- **Noudata suojatoimenpiteitä, jos työssä saattaa syntyä terveydelle vaarallista, palavaa tai räjähdysaltista pölyä** (monia pölyjä pidetään karsinogeenisina); käytä pölynsuojanaamaria ja pölyn-/lastunimua, jos se on liitettävissä
- Varo piilossa olevia sähköjohtoja sekä kaasu- ja vesiputkia; tarkasta työskentelyalue käyttämällä apuna esim. metallitunnistinta
- Noudata varovaisuutta tunneleita, varsinkin tukiseinämiä, jyrittäessä (tukiseinämissä olevat lovet ovat kyseisen maan erityisasetusten alaisia; näitä asetuksia on noudatettava kaikissa olosuhteissa)
- Purista työkalu paikalleen, sillä se ei ehkä pysy paikallaan oman painonsa varassa
- Älä aseta työkalua ruuvipuristimeen
- Käytä täysin rullaamattomia ja turvallisia jatkejohtoja, joiden kapasiteetti on 16 ampeeria
- Käytä suojalaseja ja -käsineitä, kuulonsuojaimia ③ ja tukevia kenkiä; jos tarpeen käytä myös esiliinaa
- Kiinnitä aina apukahva E ⑤ ja suojuus F ④; älä koskaan käytä työkalua ilman näitä
- Varmista, että työkalun turkin on irtikytkentäasennossa se liitettäessä pistorasiaan

KÄYTÖN AIKANA

- Pidä johto aina poissa työkalun liikkuvien osien läheisyydestä; kohdista johto takaosaa kohti pois työkalusta
- Jos johto on vaurioitunut tai jos se leikataan työn aikana, älä kosketa johtoa, vaan irrota kosketin pistorasiasta välittömästi; älä koskaan käytä työkalua, jos sen johto on vahingoittunut
- Paina karan lukituspainiketta D ④ vain, kun kara A ④ on pysäytetty
- Pidä kädet etäällä pyörivistä varusteista
- Metallia hiottaessa voi kehittyä kipinöitä; pidä muut henkilöt ja herkästi syttyvät ainekset poissa työskentelyalueelta
- Sähkövian tai mekaanisen vian aiheutuessa katkaise työkalun toiminta välittömästi ja irrota kosketin pistorasiasta
- Mikäli jyrintälevy tukkeutuu ja saa työkalun nykimään, katkaise työkalun toiminta välittömästi
- Virtakatkon aiheutuessa tai jos kosketin vedetään vahingossa irti pistorasiasta, vapauta kytkin H ④ välittömästi ja aseta se irtikytkentäasentoon OFF kontrolloimattoman uudelleenkäynnistyksen estämiseksi
- Älä käytä niin paljon painetta työkaluun nähden, että se pysähtyy

KÄYTÖN JÄLKEEN

- Ennen työkalun laskemista maahan katkaise moottorin toiminta ja varmista, että kaikki liikkuvat osat pysähtyvät täysin
- Työkalu irtikytkettyäsi älä koskaan pysäytä varusteen pyörintää siihen kohdistetulla poikittaisella voimalla

LAITTEEN OSAT ④

- A Kara
- B Kiristyslaippa
- C Ruuviavain
- D Karanlukituspainike
- E Apukahva
- F Suojus
- G Kiinnityslaippa
- H On/off lukituskytkin

KÄYTTÖ

- Varustusten kiinnittäminen ④
 - ! **irrota kosketin**
 - puhdista kara A ja kaikki kiinnitettävät osat
 - tiukenna kiristyslaippa B ruuvitaltalla C ja paina samanaikaisesti karan lukituspainiketta D
 - varustusten kahvan poisto päinvastoin
 - ! **hionta/jyrintälevyt tulevat hyvin kuumiksi käytön aikana; älä kosketa niitä ennen kuin ne ovat viilentyneet**
 - ! **muista aina kiinnittää kiinnityksen taustasovitin hiontavarusteita käytettäessä**
 - ! **älä koskaan käytä hionta/jyrintälevyä ilman siihen liimattua tarraa (öbölterö)**
- Apukahva ⑤
 - ! **irrota kosketin**
 - ruuvaa apukahva E työkalun oikealle tai vasemmalle puolelle (riippuen suoritettavasti tehtävästä)
- Suojus
 - ! **irrota kosketin**
 - avaa suojuus F löysäämällä ruuvi
 - aseta suojuus F työkalun karan kaulukseen ja käännä se tarvittavaan asentoon (riippuen suoritettavasta tehtävästä)
 - kiinnitä suojuus F kiristämällä ruuvi
 - ! **varmista, että suojuksen suljettu puoli on aina osoittamassa käyttäjää kohti**
- Ennen työkalun käyttöä
 - varmista, että tarvike on asetettu paikoilleen oikein ja kiinnitetty tiukasti
 - tarkista, että tarvike pääsee vapaasti liikkumaan, kääntämällä sitä käsin
 - koekäytä työkalua antamalla sen käydä vähintään 30 sekuntia maksiminopeudella kuormittamattomana
 - jos ilmenee voimakasta tärinää tai muita vikoja, työkalu on heti kytkettävä pois päältä ja vian syy selvitettävä
- On/off lukituskytkin H ⑥
 - käynnistä koneesi ⑥a
 - ! **varo käynnistyksen aiheuttamaa äkillistä nykyisyä**
 - ! **koneen tulee pyöriä täydellä nopeudella ennen kuin tarvike koskettaa työkalppalettia**

- lukitse kytkin ⑥b
- vapauta kytkin/sammuta koneesi ⑥c
- ! ennen koneen sammuttamista se tulee nostaa irti työkkapaleesta**
- ! kun työkalu on kytketty pois päältä, tarvitkeven liike jatkuu vielä muutamia sekunteja**
- Elektroninen pehmeäkännistys
Saavuttaa halutun maksiminopeuden ilman äkillistä nykäystä
- Vakioelektroniikka
Pitää nopeuden vakiona kuormituksen lisääntyessä
- Hionta ⑦
 - liikuta työkalua edestakaisin kohtuullisen paineen alaisena
 - ! älä koskaan käytä jyrstälevyä sivun hiontaan**
- Jyrsintä ⑧
 - älä kallista työkalua jyrstittäessä
 - liikuta työkalua aina samaan suuntaan työkalun pään nuolen mukaisesti niin että estetään työkalun työntyminen pois jyrstinnästä kontrolloimattomaan tapaan
 - älä kohdista työkaluun painetta; anna jyrstintälevyn nopeuden tehdä työ
 - jyrstintälevyn työskentelynopeus riippuu jyrstintälevyn materiaalista
 - älä jarruta jyrstintälevyjä sivulta kohdistuvalla paineella
- Työkalun pitäminen ja ohjaaminen
 - pidä työkalusta aina kiinni molemmin käsin niin että pystyt kontrolloimaan työkalua koko ajan
 - varmista tukeva asento
 - kiinnitä huomiota pyörintään suuntaan; käsittele työkalua aina niin että kipinät ja hionta/jyrsintäpöly lentää pois sinusta
 - pidä ilmanvaihtoreiät puhtaina ja peittämättöminä

VINKKEJÄ

- Laipan B ④ sijasta voidaan käyttää "CLIC"-pikakiristyslaippaa J ④ (SKIL-varuste 2610388766); hionta/jyrsintälevyt voidaan kiinnittää varusteavaimia käyttämättä

TAKUU / YMPÄRISTÖNSUOJELU

- Pidä työkalu ja johto puhtaina (varmista erityisesti ilmanvaihtoreiät puhtaus)
- ! älä yritä puhdistaa laitetta terävillä esineillä ilmanvaihtoreiät kautta**
- ! irrota liitosjohto aina puhdistuksen ajaksi pistorasista**
- Tällä SKIL-tuotteella on takuu lakisäästeisten/kansallisten asetusten mukaisesti; takuu ei kata normaalin kulumisen eikä ylikuormituksen tai asiattoman käsittelyn aiheuttamia vahinkoja
- Jos ilmenee vika, toimita työkalu sitä osiin **purkamatta** lähimpään SKIL-huoltoon (osoitteet ja työkalun huoltokaava ovat tarjolla web-osoitteessa www.skileurope.com) ostotodiste mukaan liitettynä

- **Älä hävitä sähkötyökalua, tarvitkeita tai pakkausta tavallisen kotitalousjätteen mukana** (koskee vain EU-maita)
 - vanhoja sähkö- ja elektroniikkalaitteita koskevan EU-direktiivin 2002/96/ETY ja sen maakohtaisten sovellusten mukaisesti käytetyt sähkötyökalut on toimitettava ongelmajätteen keräyspisteeseen ja ohjattava ympäristöstävälliseen kierrätykseen
 - symboli ⑨ muistuttaa tästä, kun käytöstä poisto tulee ajankohtaiseksi

E

Amoladora angular

9295

INTRODUCCIÓN

- Esta herramienta ha sido diseñada para amolar, tronzar y desbarbar materiales de metal y piedra sin necesidad de utilizar agua; con los accesorios apropiados, también se puede utilizar la herramienta para cepillar y lijar
- Lea y conserve este manual ②

CARACTERÍSTICAS TÉCNICAS ①

SEGURIDAD

INSTRUCCIONES GENERALES DE SEGURIDAD

¡ATENCIÓN! Lea íntegramente estas instrucciones.

En caso de no atenerse a las instrucciones de seguridad siguientes, ello puede dar lugar a una descarga eléctrica, incendio o lesión seria. El término "herramienta eléctrica" empleado en las siguientes instrucciones se refiere a su aparato eléctrico portátil, ya sea con cable de red.

1) PUESTO DE TRABAJO

- Mantenga limpio y bien iluminado su puesto de trabajo.** El desorden y una iluminación deficiente en las áreas de trabajo pueden provocar accidentes.
- No utilice la herramienta eléctrica en un entorno con peligro de explosión, en el que se encuentren combustibles líquidos, gases o material en polvo.** Las herramientas eléctricas producen chispas que pueden llegar a inflamar los materiales en polvo o vapores.
- Mantenga alejados a los niños y otras personas de su puesto de trabajo al emplear la herramienta eléctrica.** Una distracción le puede hacer perder el control sobre el aparato.

2) SEGURIDAD ELÉCTRICA

- El enchufe del aparato debe corresponder a la toma de corriente utilizada. No es admisible modificar el enchufe en forma alguna. No emplear adaptadores en aparatos dotados con una toma de tierra.** Los enchufes sin modificar adecuados a las respectivas tomas de corriente reducen el riesgo de una descarga eléctrica.
- Evite que su cuerpo toque partes conectadas a tierra como tuberías, radiadores, cocinas y refrigeradores.** El riesgo a quedar expuesto a una sacudida eléctrica es mayor si su cuerpo tiene contacto con tierra.

- c) **No exponga las herramientas eléctricas a la lluvia y evite que penetren líquidos en su interior.** Existe el peligro de recibir una descarga eléctrica si penetran ciertos líquidos en la herramienta eléctrica.
- d) **No utilice el cable de red para transportar o colgar el aparato, ni tire de él para sacar el enchufe de la toma de corriente. Mantenga el cable de red alejado del calor, aceite, esquinas cortantes o piezas móviles.** Los cables de red dañados o enredados pueden provocar una descarga eléctrica.
- e) **Al trabajar con la herramienta eléctrica en la intemperie utilice solamente cables de prolongación homologados para su uso en exteriores.** La utilización de un cable de prolongación adecuado para su uso en exteriores reduce el riesgo de una descarga eléctrica.

3) SEGURIDAD DE PERSONAS

- a) **Esté atento a lo que hace y emplee la herramienta eléctrica con prudencia. No utilice la herramienta eléctrica si estuviese cansado, ni tampoco después de haber consumido alcohol, drogas o medicamentos.** El no estar atento durante el uso de una herramienta eléctrica puede provocarle serias lesiones.
- b) **Utilice un equipo de protección y en todo caso unas gafas de protección.** El riesgo a lesionarse se reduce considerablemente si, dependiendo del tipo y la aplicación de la herramienta eléctrica empleada, se utiliza un equipo de protección adecuado como una mascarilla antipolvo, zapatos de seguridad con suela antideslizante, casco, o protectores auditivos.
- c) **Evite una puesta en marcha fortuita del aparato. Cerciorarse de que el aparato esté desconectado antes conectarlo a la toma de corriente.** Si transporta el aparato sujetándolo por el interruptor de conexión/desconexión, o si introduce el enchufe en la toma de corriente con el aparato conectado, ello puede dar lugar a un accidente.
- d) **Retire las herramientas de ajuste o llaves fijas antes de conectar la herramienta eléctrica.** Una herramienta o llave colocada en una pieza rotante puede producir lesiones al ponerse a funcionar.
- e) **Sea precavido. Trabaje sobre una base firme y mantenga el equilibrio en todo momento.** Ello le permitirá controlar mejor la herramienta eléctrica en caso de presentarse una situación inesperada.
- f) **Lleve puesta una vestimenta de trabajo adecuada. No utilice vestimenta amplia ni joyas. Mantenga su pelo, vestimenta y guantes alejados de las piezas móviles.** La vestimenta suelta, las joyas y el pelo largo se pueden enganchar con las piezas en movimiento.
- g) **Siempre que sea posible utilizar unos equipos de aspiración o captación de polvo, asegúrese que éstos estén montados y que sean utilizados correctamente.** El empleo de estos equipos reduce los riesgos derivados del polvo.

4) TRATO Y USO CUIDADOSO DE HERRAMIENTAS ELÉCTRICAS

- a) **No sobrecargue el aparato. Use la herramienta prevista para el trabajo a realizar.** Con la herramienta adecuada podrá trabajar mejor y más seguro dentro del margen de potencia indicado.

- b) **No utilice herramientas con un interruptor defectuoso.** Las herramientas que no se puedan conectar o desconectar son peligrosas y deben hacerse reparar.
- c) **Saque el enchufe de la red antes de realizar un ajuste en el aparato, cambiar de accesorio o al guardar el aparato.** Esta medida preventiva reduce el riesgo a conectar accidentalmente el aparato.
- d) **Guarde las herramientas fuera del alcance de los niños y de las personas que no estén familiarizadas con su uso.** Las herramientas utilizadas por personas inexpertas son peligrosas.
- e) **Cuide sus aparatos con esmero. Controle si funcionan correctamente, sin atascarse, las partes móviles del aparato, y si existen partes rotas o deterioradas que pudieran afectar al funcionamiento de la herramienta. Si la herramienta eléctrica estuviese defectuosa haga repararla antes de volver a utilizarla.** Muchos de los accidentes se deben a aparatos con un mantenimiento deficiente.
- f) **Mantenga los útiles limpios y afilados.** Los útiles mantenidos correctamente se dejan guiar y controlar mejor.
- g) **Utilice herramientas eléctricas, accesorios, útiles, etc. de acuerdo a estas instrucciones y en la manera indicada específicamente para este aparato. Considere en ello las condiciones de trabajo y la tarea a realizar.** El uso de herramientas eléctricas para trabajos diferentes de aquellos para los que han sido concebidas puede resultar peligroso.

5) SERVICIO

- a) **Únicamente haga reparar su herramienta eléctrica por un profesional, empleando exclusivamente piezas de repuesto originales.** Solamente así se mantiene la seguridad de la herramienta eléctrica.

INSTRUCCIONES DE SEGURIDAD PARA AMOLADORAS ANGULARES

GENERAL

- Utilice esta herramienta sólo para amolar/tronzar en seco
- Utilice únicamente las bridas que se entregan con esta herramienta
- Los menores de 16 años no deben utilizar esta herramienta
- **Desenchufar siempre la herramienta antes de realizar cualquier ajuste o cambiar algún accesorio**

ACCESORIOS

- Utilice los accesorios originales SKIL que podrá obtener de su proveedor de SKIL
- Cuando monte/utilice accesorios distintos de la marca SKIL, respete las instrucciones del fabricante
- Utilice únicamente accesorios cuyos revoluciones admisibles sean como mínimo iguales a las revoluciones en vacío máximas de la herramienta
- No utilice discos de amolar/tronzar deformados o que vibren
- Maneje y guarde los discos de amolar/tronzar con cuidado para evitar que se astillen o rompan
- Proteja los accesorios de golpes, choques y grasa

- No utilice muelas de amolar/tronzar de diámetro mayor que el máximo recomendado
- Utilice únicamente discos de amolar/tronzar, cuyo diámetro del agujero permita el ajuste sin juego en las bridas de montaje G ④; nunca utilice reductores o adaptadores para ajustar agujeros más grandes que los discos de amolar/tronzar
- Nunca utilice discos de amolar/tronzar con un agujero roscado cuya rosca no sea lo suficientemente grande como para aceptar el tamaño del eje de la herramienta
- Nunca utilice accesorios con un agujero "ciego" roscado inferior a M14 x 21 mm

USO EXTERIOR

- Conecte la herramienta mediante un interruptor (FI) a una corriente de disparo de 30 mA como máximo
- Utilice únicamente un cable de extensión adecuado para su uso en el exterior y equipado con un enchufe a prueba de salpicaduras

ANTES DE UTILIZAR LA HERRAMIENTA

- Antes de utilizar la herramienta por primera vez, es recomendable saber cierta información práctica
- **No trabaje materiales que contengan amianto** (el amianto es cancerígeno)
- **Tome unas medidas de protección adecuadas si al trabajar pudiera generarse polvo combustible, explosivo, o nocivo para la salud** (ciertos tipos de polvo son cancerígenos); colóquese una mascarilla antipolvo y, si su herramienta viene equipada con la conexión correspondiente, utilice además un equipo de aspiración adecuado
- Tenga cuidado con los conductos de electricidad, gas y agua que estén ocultos; compruebe la zona de trabajo utilizando, por ejemplo, un detector de metales
- Tenga cuidado cuando tronze sotobosque, especialmente en muros de soporte (las aberturas de los muros de soporte están sujetas a regulaciones específicas de cada país; estas regulaciones deben respetarse bajo cualquier circunstancia)
- Si la pieza sobre la que está trabajando se moviera, sujétela
- No sujete la herramienta a un banco
- Utilice cables de extensión seguros y completamente desenrollados con una capacidad de 16 amperios
- Utilice gafas y guantes, protección para los oídos ③ y calzado robusto; cuando sea necesario, utilice también un delantal
- Monte siempre la empuñadura auxiliar E ⑤ y el protector de seguridad F ④; nunca utilice la herramienta sin ellas
- Asegúrese que la herramienta está apagada cuando la enchufe

DURANTE EL USO DE LA HERRAMIENTA

- Mantenga siempre el cable lejos de las partes móviles de la herramienta; mantenga el cable detrás de usted, lejos de la herramienta
- Si mientras trabaja, el cable sufre algún desperfecto o corte, no lo toque; desconecte inmediatamente el enchufe; nunca utilice la herramienta con un cable dañado
- Sólo pulse el botón de bloqueo del eje D ④ cuando el eje A ④ esté inmóvil

- Mantenga las manos lejos de los accesorios giratorios
- Cuando muela metal, se generarán chispas; mantenga alejadas del área de trabajo a otras personas y al material combustible
- En caso de producirse el mal funcionamiento mecánico o eléctrico, apague inmediatamente la herramienta y desconecte el enchufe
- En caso de que se bloquee el disco, obteniendo como resultado que la herramienta funcione a trompicones, apague inmediatamente la herramienta
- En caso de producirse un corte de corriente o cuando el enchufe se desconecta accidentalmente, desbloquee el interruptor de encendido/apagado H ④ de manera inmediata y colóquelo en la posición apagado (OFF) con el fin de prevenir que se vuelva a poner en marcha de manera descontrolada
- No aplique mucha presión sobre la herramienta para evitar que se pare

DESPUÉS DE UTILIZAR LA HERRAMIENTA

- Antes de poner la herramienta en el suelo, apague el motor y asegúrese de que todas las piezas móviles están completamente paradas
- Después de apagar la herramienta, nunca detenga la rotación de un accesorio ejerciendo una fuerza lateral contra él

ELEMENTOS DE LA HERRAMIENTA ④

- A Eje
- B Brida de sujeción
- C Llave
- D Botón de bloqueo del eje
- E Empuñadura auxiliar
- F Protector de seguridad
- G Brida de montaje
- H Interruptor de encendido/apagado de bloqueo

USO

- Montaje de accesorios ④
 - ! **desconecte el enchufe**
 - limpie el eje A y todas las piezas que vaya a montar
 - apriete la brida de sujeción B con la llave C mientras aprieta el botón de bloqueo del eje D
 - para desmontar los accesorios, proceda de modo inverso
 - ! **las muelas de amolar/tronzar se calientan en exceso durante su uso; no las toque hasta que se hayan enfriado**
 - ! **monte siempre una almohadilla de apoyo cuando utilice accesorios de lijado**
 - ! **nunca utilice un disco de amolar/tronzar sin la etiqueta, que se encuentra pegada sobre el disco**
- Empuñadura auxiliar ⑤
 - ! **desconecte el enchufe**
 - enrosque la empuñadura auxiliar E en uno de los lados de la herramienta (según el tipo de trabajo que vaya a realizar)
- Protector de seguridad
 - ! **desconecte el enchufe**
 - abra el protector de seguridad F aflojando el tornillo

- coloque el protector de seguridad F en la abrazadera del cabezal de la herramienta y gírelo hasta la posición requerida (según el trabajo que vaya a llevar a cabo)
- sujete el protector de seguridad F apretando el tornillo
- ! **asegúrese de que la parte cerrada del protector de seguridad siempre está orientada hacia el operador**
- Antes de utilizar la herramienta
 - asegúrese de que el accesorio esté correctamente montado y firmemente apretado
 - compruebe que el accesorio se mueve libremente al girarlo con la mano
 - pruebe la herramienta al dejarla funcionar en una posición segura durante al menos 30 segundos a la máxima velocidad en vacío
 - deténgala inmediatamente en caso de vibraciones considerables u otros defectos, y examine la herramienta para determinar su posible causa
- Interruptor de encendido/apagado de bloqueo H ⑥
 - ponga en marcha la herramienta ⑥a
 - ! **tenga cuidado con la reacción súbita de la herramienta, al conectarla**
 - ! **antes de trabajar sobre una pieza, la herramienta deberá alcanzar su velocidad máxima**
 - bloquee el interruptor ⑥b
 - desbloquee el interruptor/desconecte la herramienta ⑥c
 - ! **antes de desconectar su herramienta, se debe separarla de la pieza**
 - ! **después de haber apagado la herramienta el accesorio continuará girando durante un corte período de tiempo**
- Arranque suave electrónico
Asegura el alcance de la velocidad máxima suavemente sin la reacción súbita de la herramienta al conectarla
- Velocidad constante electrónica
Mantiene la velocidad constante cuando se aumenta la carga
- Amolar ⑦
 - mueva la herramienta hacia delante y atrás ejerciendo una presión moderada
 - ! **nunca utilice una muela tronzoadora para amolar lateralmenteg**
- Tronzar ⑧
 - no incline la herramienta al tronzar
 - mueva siempre la herramienta en la dirección de la flecha situada sobre el cabezal de la herramienta para prevenir que empuje la herramienta fuera del corte de una forma descontrolada
 - no presione la herramienta; deje que la velocidad de la muela tronzoadora haga el trabajo
 - la velocidad de trabajo de la muela tronzoadora depende del material que esté cortando
 - no frene las muelas tronzoadoras ejerciendo presión lateral
- Modo de sujetar y guiar la herramienta
 - sujete siempre firmemente la herramienta con ambas manos para tener el control todo el tiempo
 - adopte una postura segura

- preste atención a la dirección de rotación; sostenga siempre la herramienta de modo que las chispas y el polvo procedentes de la herramienta salten lejos del cuerpo
- mantenga las ranuras de ventilación limpias y descubiertas

CONSEJOS DE APLICACION

- En lugar de la brida B ④, puede utilizar la brida de sujeción rápida "CLIC" J ④ (accesorio SKIL número 2610388766); entonces, podrá montar las muelas de amolar/tronzar sin utilizar llaves accesorias

GARANTÍA / AMBIENTE

- Mantenga limpio el cable eléctrico y la herramienta (sobre todo las ranuras de ventilación)
 - ! **no intente limpiar insertando objetos puntiagudos a través de las ranuras de ventilación**
 - ! **desenchufar la herramienta antes de limpiar**
- Para las herramientas SKIL brindamos una garantía de acuerdo con las prescripciones legales específicas de los distintos países; los daños ocasionados por desgaste natural, sobrecarga o manejo inadecuado serán excluidos de garantía
- En caso de reclamación, envíe la herramienta **sin desmontar** junto con la factura al suministrador de la misma o al servicio técnico de SKL más próximo (los nombres así como el despiece de piezas de la herramienta figuran en www.skileurope.com)
- **No deseche las herramientas eléctricas, los accesorios y embalajes junto con los residuos domésticos** (sólo para países de la Unión Europea)
 - de conformidad con la Directiva Europea 2002/96/CE sobre residuos de aparatos eléctricos y electrónicos y su aplicación de acuerdo con la legislación nacional, las herramientas eléctricas cuya vida útil haya llegado a su fin se deberán recoger por separado y trasladar a una planta de reciclaje que cumpla con las exigencias ecológicas
 - símbolo ⑨ llamará su atención en caso de necesidad de tirarlas

P

Rebarbadora

9295

INTRODUÇÃO

- Esta ferramenta destina-se ao rebarbe, corte e retificação de metal e pedra sem a utilização de água; com os acessórios adequados, a ferramenta também pode ser utilizada para escovar e lixar
- Leia e guarde este manual de instruções ②

ESPECIFICAÇÕES TÉCNICAS ①

SEGURANÇA

INSTRUÇÕES GERAIS DE SEGURANÇA

ATENÇÃO! Leia todas as instruções. O desrespeito das instruções a seguir podem causar choque eléctrico, incêndio e/ou graves lesões. O termo “ferramenta eléctrica” utilizado a seguir refere-se a ferramentas eléctricas com conexão a rede (com cabo).

1) ÁREA DE TRABALHO

- Mantenha a sua área de trabalho limpa e arrumada.** Desordem e áreas de trabalho com fraca iluminação podem causar acidentes.
- Não trabalhar com a ferramenta eléctrica em áreas com risco de explosão, nas quais se encontrem líquidos, gases ou pós inflamáveis.** Ferramentas eléctricas produzem faíscas que podem provocar a ignição de pó e vapores.
- Mantenha crianças e outras pessoas afastadas da ferramenta eléctrica durante o trabalho com a ferramenta.** Distrações podem causar a falta de controle sobre o aparelho.

2) SEGURANÇA ELÉCTRICA

- A ficha da ferramentas eléctricas devem caber na tomada. A ficha não deve ser modificada de modo algum. Não utilize quaisquer fichas de adaptação junto com ferramentas eléctricas ligadas à terra.** Fichas sem modificações e tomadas adequadas reduzem o risco de choques eléctricos.
- Evite que o corpo entre em contacto com superfícies ligadas à terra, como por exemplo tubos, radiadores, fogões e geladeiras.** Há um risco elevado de choques eléctricos, caso o corpo for ligado à terra.
- A ferramenta eléctrica não deve ser exposta à chuva nem humidade.** A penetração de água na ferramenta eléctrica aumenta o risco de choques eléctricos.
- O cabo do aparelho não deve ser utilizado para o transporte, para pendurar o aparelho, nem para puxar a ficha da tomada. Mantenha o cabo afastado de calor, óleo, cantos afiados ou partes em movimento do aparelho.** Cabos danificados ou torcidos aumentam o risco de choques eléctricos.
- Ao trabalhar com a ferramenta eléctrica ao ar livre, use um cabo de extensão apropriado para áreas externas.** O uso de um cabo apropriado para áreas externas reduz o risco de choques eléctricos.

3) SEGURANÇA DE PESSOAS

- Esteja alerta, observe o que está a fazer, e tenha prudência ao trabalhar com a ferramenta eléctrica. Não use a ferramenta eléctrica se estiver fatigado ou sob a influência de drogas, álcool ou medicamentos.** Um momento de falta de atenção durante a operação da ferramenta eléctrica pode causar graves lesões.
- Usar um equipamento pessoal de protecção. Sempre utilizar um óculos de protecção.** Equipamento de segurança, como por exemplo, máscara de protecção contra pó, sapatos de segurança anti-derrapantes, capacete de segurança ou protecção auricular, de acordo com o tipo e aplicação da ferramenta eléctrica, reduzem o risco de lesões.

- Evite um accionamento involuntário. Assegure-se de que o interruptor esteja na posição “desligar”, antes de introduzir a ficha na tomada.** Manter o dedo sobre o interruptor ao transportar a ferramenta eléctrica ou conectar o aparelho já ligado à rede, pode levar a graves acidentes.
 - Remover chaves de ajustes ou chaves de fenda, antes de ligar a ferramenta eléctrica.** Uma chave de fenda ou chave de ajuste que se encontre numa parte móvel do aparelho, pode levar a lesões.
 - Não se sobrestime. Mantenha uma posição firme e mantenha sempre o equilíbrio.** Desta forma poderá ser mais fácil controlar o aparelho em situações inesperadas.
 - Use roupa apropriada. Não use roupa larga ou jóias. Mantenha o cabelo, roupa e luvas afastadas de partes em movimento.** Roupas largas, jóias ou cabelos longos podem ser agarradas por partes em movimento.
 - Se for prevista a montagem de dispositivos de aspiração de pó e de dispositivos de recolha, assegure-se de que estão conectados e que sejam utilizados de forma correcta.** A utilização destes dispositivos reduz os riscos provocados por pó.
- ### 4) USO E TRATAMENTO DE FERRAMENTAS ELÉCTRICAS
- Não sobrecarregue a ferramenta eléctrica. Use para o seu trabalho a ferramenta eléctrica correcta.** A ferramenta correcta realizará o trabalho de forma melhor e mais segura dentro da faixa de potência indicada.
 - Não utilize a ferramenta eléctrica se o interruptor não puder ser ligado nem desligado.** Qualquer ferramenta eléctrica que não possa ser controlada através do interruptor de ligar-desligar, é perigosa e deve ser reparada.
 - Puxar a ficha da tomada antes de efectuar ajustes no aparelho, substituir acessórios ou armazenar a ferramenta eléctrica.** Esta medida de segurança evita que a ferramenta eléctrica seja ligada acidentalmente.
 - Guarde ferramentas eléctricas que não estiverem sendo utilizadas, for a do alcance de crianças. Não permita que o aparelho seja utilizado por pessoas não familiarizadas com o mesmo ou que não tenham lido estas instruções.** Ferramentas eléctricas são perigosas nas mãos de pessoas sem treinamento.
 - Trate a sua ferramenta eléctrica com cuidado. Verifique se as partes móveis do aparelho funcionam perfeitamente e não emperram, se há peças quebradas ou danificadas, que possam influenciar o funcionamento do aparelho. Peças danificadas devem ser reparadas antes da utilização do aparelho.** Muitos acidentes tem como causa uma manutenção insuficiente das ferramentas eléctricas.
 - Mantenha as ferramentas de corte sempre afiadas e limpas.** Ferramentas de cortes devidamente tratadas, com cantos afiados travam com menos frequência e podem ser controladas com maior facilidade.

- g) **Use a ferramenta eléctrica, os acessórios os bits da ferramenta etc., de acordo com estas instruções e da maneira determinada para este tipo especial de ferramenta eléctrica. Considere também as condições de trabalho e o trabalho a ser efectuado.** A utilização da ferramenta eléctrica para outros fins que os previstos, pode resultar em situações perigosas.

5) SERVIÇO

- a) **A sua ferramenta eléctrica só deve ser reparada por pessoal qualificado e só devem ser colocadas peças sobressalentes originais.** Desta forma é assegurada a segurança da ferramenta eléctrica.

INSTRUÇÕES DE SEGURANÇA PARA REBARBADORAS

INFORMAÇÃO

- Utilize esta ferramenta apenas para rebarbar/cortar em seco
- Utilize apenas os anéis fornecidos com a ferramenta
- Esta ferramenta não deverá ser usada por pessoas com idade inferior a 16 anos
- **Desligue sempre a ficha da tomada antes de proceder a qualquer ajustamento ou troca de acessório**

ACESSÓRIOS

- Utilize os acessórios originais SKIL que poderá adquirir nos revendedores autorizados SKIL
- Para montar/usar acessórios de outras marcas que não sejam SKIL, respeite as instruções do respectivo fabricante
- Utilize apenas acessórios com um número de rotação admissível no mínimo tão alto como o mais alto número de rotação em vazio da ferramenta
- Não utilize discos de rebarbe/corte que estejam danificados ou deformados, ou que vibrem
- Manuseie e guarde os discos de rebarbe/corte com cuidado, de modo a evitar que lasquem ou partam
- Proteja os acessórios contra impacto, choques e gordura
- Não utilize um disco de rebarbe/corte com medidas superiores às máximas recomendadas
- Utilize apenas discos de rebarbe/corte com um diâmetro de abertura que se ajuste sem folgas ao anel de montagem G (4); nunca utilize redutores ou adaptadores para montar discos de rebarbe/corte com um diâmetro de abertura grande
- Nunca utilize discos de rebarbe/corte com uma rosca que não seja suficientemente longa para aceitar o comprimento do veio da ferramenta
- Nunca utilize acessórios com uma abertura "fechada" de rosca inferior a M14 x 21 mm

UTILIZAÇÃO NO EXTERIOR

- Ligue a ferramenta utilizando um disjuntor de corrente de falha (FI) com uma corrente de disparo de 30 mA no máximo
- Utilize apenas uma extensão destinada a utilização no exterior e que esteja equipada com uma tomada de união à prova de salpicos

ANTES DA UTILIZAÇÃO

- Recomenda-se que, antes de usar a ferramenta pela primeira vez, o utilizador receba informação prática
- **Não processar material que contenha asbesto** (asbesto é considerado como sendo cancerígeno)

- **Tomar medidas de protecção, se durante o trabalho houver a possibilidade de serem produzidos pós nocivos à saúde, inflamáveis ou explosivos** (alguns pós são considerados como sendo cancerígenos); usar uma máscara de protecção contra pó e, se for possível conectar, uma aspiração de pó/de aparas
- Tenha cuidado com cablagens eléctricas ocultas ou canalizações de gás ou água; verifique a área de trabalho, utilizando, por exemplo, um detector de metais
- Tenha cuidado ao abrir ranhuras, especialmente em paredes de apoio (as aberturas em paredes de apoio estão sujeitas a regulamentações que variam de país para país; tais regulamentações deverão ser respeitadas em todas as circunstâncias)
- Fixe a peça a trabalhar, caso ela não se mantenha estacionária em virtude do seu próprio peso
- Não fixe a ferramenta num torno
- Utilize extensões completamente desenroladas e seguras, com uma capacidade de 16 Amps
- Use óculos de protecção e luvas, protectores para os ouvidos (3) e calçado resistente; quando necessário, use também um avental
- Monte sempre a pega lateral E (5) e a protecção F (4); nunca utilize a ferramenta sem estes componentes
- Certifique-se de que a ferramenta está desligada antes de colocar a ficha na tomada

DURANTE A UTILIZAÇÃO

- Mantenha sempre o fio afastado das peças rotativas da ferramenta; coloque o fio para trás, fora do alcance da ferramenta
- Se o fio for danificado ou cortado durante o trabalho, não toque no fio, mas retire imediatamente a ficha da tomada; nunca utilize a ferramenta com o fio danificado
- Carregue no botão de fecho do veio D (4) apenas quando o veio A (4) estiver parado
- Mantenha as mãos afastadas dos acessórios rotativos
- Ao rebarbar metais, devido às faíscas produzidas, mantenha afastadas da área de trabalho outras pessoas e materiais combustíveis
- Em caso de anomalia eléctrica ou mecânica, desligue imediatamente a ferramenta e tire a ficha da tomada
- Caso o disco de corte fique bloqueado, resultando em sacões transmitidos à ferramenta, desligue imediatamente a ferramenta
- Em caso de interrupção na corrente ou se a ficha for retirada da tomada por engano, destrave imediatamente o interruptor on/off H (4) e coloque-o na posição OFF por forma a impedir que a ferramenta volte a arrancar descontroladamente
- Não aplique demasiada pressão na ferramenta que a faça parar

APÓS A UTILIZAÇÃO

- Antes de descansar a ferramenta, desligue o motor e certifique-se de que todas as peças rotativas estão paradas
- Depois de desligar a ferramenta, nunca páre a rotação do acessório exercendo pressão lateral sobre o mesmo

FERRAMENTA ④

- A Veio
- B Anel de aperto
- C Chave de porcas
- D Botão de fecho do veio
- E Pega lateral
- F Protecção
- G Anel de montagem
- H Interruptor on/off de travagem

UTILIZAÇÃO

- Montagem de acessórios ④
 - ! **tire a ficha da tomada**
 - limpe o veio A e todas as peças que vão ser montadas
 - aperte o anel B com a chave de porcas C ao mesmo tempo que carrega no botão de fecho do veio D para a desmontagem de acessórios, proceda ao contrário
 - ! **os discos de rebarbe/corte aquecem muito durante a utilização; não toque nos discos antes que eles arrefeçam**
 - ! **monte sempre o bloco de apoio quando utilizar acessórios de lixagem**
 - ! **nunca utilize um disco de rebarbe/corte sem a etiqueta que lhe está colada**
- Pega lateral ⑤
 - ! **tire a ficha da tomada**
 - aparafuse a pega lateral E do lado direito ou esquerdo da ferramenta (dependendo do trabalho que vá efectuar)
- Protecção
 - ! **tire a ficha da tomada**
 - abra a protecção F soltando o parafuso
 - coloque a protecção F no anel do veio da cabeça da ferramenta e rode-a para a posição desejada (dependendo do trabalho que vá efectuar)
 - fixe a protecção F apertando o parafuso
 - ! **certifique-se de que o lado fechado da protecção fica sempre voltado para o operador**
- Antes de utilizar a ferramenta
 - assegure-se que o acessório está correctamente montado e apertado com firmeza
 - verifique que o acessório gira livremente rodando-o com a mão
 - ligue a ferramenta em vazio pelo menos durante 30 segundos na rotação máxima e numa posição de segurança
 - desligue imediatamente a ferramenta em caso de vibração excessiva ou outros defeitos de funcionamento, e verifique a causa do sucedido
- Interruptor On/Off de travagem H ⑥
 - ligar a ferramenta ⑥a
 - ! **tenha cuidado com o impacto subitico que a ligação origina**
 - ! **a ferramenta deverá trabalhar na velocidade máxima antes de alcançar a peça a trabalhar**
 - travar o interruptor ⑥b
 - destravar o interruptor/desligar a ferramenta ⑥c

- ! **antes de parar a ferramenta deverá retirá-la da peça a trabalhar**
- ! **o acessório continua a sua rotação durante um curto período de tempo, mesmo depois de a ferramenta já ter sido desligada**
- Arranque suave electrónico
 - Para conseguir suavemente a velocidade máxima sem o impacto súbito que o arranque origina
- Velocidade constante electrónica
 - Mantém a velocidade constante à medida que a carga aumenta
- Rebarbar ⑦
 - desloque a ferramenta para trás e para a frente utilizando uma pressão moderada
 - ! **nunca utilize um disco de corte para rebarbe lateral**
- Cortar ⑧
 - não incline a ferramenta durante o corte
 - desloque sempre a ferramenta na direcção da seta que se encontra na cabeça da mesma, para impedir que a ferramenta seja empurrada para fora do ponto de corte de forma descontrolada
 - não aplique pressão na ferramenta; deixe que a velocidade do disco de corte faça o trabalho
 - a velocidade de trabalho do disco de corte depende do material que está a ser cortado
 - não trave os discos de corte exercendo pressão lateral
- Segurar e guiar a ferramenta
 - segure sempre a ferramenta com firmeza utilizando ambas as mãos, por forma a ter sempre o controlo total da ferramenta
 - mantenha uma posição estável
 - tome atenção à direcção da rotação; segure sempre a ferramenta por forma a que as faíscas e a limalha ou o pó saltem na direcção contrária à do corpo
 - mantenha as ranhuras de respiração limpas e destapadas

CONSELHOS DE APLICAÇÃO

- Em vez do anel B ④ pode ser usada a porca de tensão rápida "CLIC" J ④ (acessório SKIL 2610388766); os discos de rebarbe/corte podem então ser montados sem a utilização de chaves acessórias

GARANTIA / AMBIENTE

- Mantenha a ferramenta e o fio sempre limpos (especialmente as ranhuras de respiração)
 - ! **evitar utilizar objectos pontiagudos na limpeza das ranhuras de respiração**
 - ! **desligar a ferramenta da fonte de corrente antes de limpar**
- Prestamos garantia para ferramentas SKIL de acordo com as disposições legais/específicas do país; avarias devidas ao desgaste normal, sobrecarga ou má utilização não estão abrangidas pela garantia

- Em caso de reclamação, enviar a ferramenta, completa (sem desmontar), acompanhada da factura, ao fornecedor ou ao serviço de assistência técnica SKIL mais próximo (os endereços assim como a mapa de peças da ferramenta estão mencionados no www.skileurope.com)
- **Não deite ferramentas eléctricas, acessórios ed embalagem no lixo doméstico** (apenas para países da UE)
 - de acordo com a directiva europeia 2002/96/CE sobre ferramentas eléctricas e electrónicas usadas e a transposição para as leis nacionais, as ferramentas eléctricas usadas devem ser recolhidas em separado e encaminhadas a uma instalação de reciclagem dos materiais ecológica
 - símbolo ⑨ lhe avisará em caso de necessidade de arranja-las



Smerigliatrice angolare 9295

INTRODUZIONE

- Questo utensile serve per smerigliare, tagliare e per sbavare materiali di metallo e di pietra senza l'uso di acqua; con gli appropriati accessori l'utensile può essere usato anche per spazzolare e sabbiare
- Leggete e conservate questo manuale di istruzione ②

CARATTERISTICHE TECNICHE ①

SICUREZZA

ISTRUZIONI GENERALI DI SICUREZZA

ATTENZIONE! È assolutamente necessario leggere attentamente tutte le istruzioni. Eventuali errori nell'adempiere delle istruzioni qui di seguito riportate potranno causare scosse elettriche, incendi e/o lesioni gravi. Il termine qui di seguito utilizzato «utensile elettrico» si riferisce ad utensili elettrici alimentati dalla rete (con linea di allacciamento).

1) POSTO DI LAVORO

- Mantenere pulito ed ordinato il posto di lavoro.** Il disordine e le zone di lavoro non illuminate possono essere fonte di incidenti.
- Evitare d'impiegare l'utensile in ambienti soggetti al rischio di esplosioni nei quali si trovino liquidi, gas o polveri infiammabili.** Gli utensili elettrici producono scintille che possono far infiammare la polvere o i gas.
- Mantenere lontani i bambini ed altre persone durante l'impiego dell'utensile elettrico.** Eventuali distrazioni potranno comportare la perdita del controllo sull'utensile.

2) SICUREZZA ELETTRICA

- La spina per la presa di corrente dovrà essere adatta alla presa. Evitare assolutamente di apportare modifiche alla spina. Non impiegare spine adattatrici assieme ad utensili con collegamento a terra.** Le spine non modificate e le prese adatte allo scopo riducono il rischio di scosse elettriche.

- Evitare il contatto fisico con superfici collegate a terra, come tubi, riscaldamenti, cucine elettriche e frigoriferi.** Sussiste un maggior rischio di scosse elettriche nel momento in cui il corpo è messo a massa.
- Custodire l'utensile al riparo dalla pioggia o dall'umidità.** L'eventuale infiltrazione di acqua in un utensile elettrico va ad aumentare il rischio d'insorgenza di scosse elettriche.
- Non usare il cavo per scopi diversi da quelli previsti al fine di trasportare o appendere l'apparecchio, oppure di togliere la spina dalla presa di corrente. Mantenere l'utensile al riparo da fonti di calore, dall'olio, dagli spigoli o da parti di strumenti in movimento.** I cavi danneggiati o aggrovigliati aumentano il rischio d'insorgenza di scosse elettriche.
- Qualora si voglia usare l'utensile all'aperto, impiegare solo ed esclusivamente cavi di prolunga omologati per l'impiego all'esterno.** L'uso di un cavo di prolunga omologato per l'impiego all'esterno riduce il rischio d'insorgenza di scosse elettriche.

3) SICUREZZA DELLE PERSONE

- È importante concentrarsi su ciò che si sta facendo e a maneggiare con giudizio l'utensile elettrico durante le operazioni di lavoro. Non utilizzare l'utensile in caso di stanchezza o sotto l'effetto di droghe, bevande alcoliche e medicinali.** Un attimo di distrazione durante l'uso dell'utensile potrà causare lesioni gravi.
- Indossare sempre equipaggiamento protettivo individuale, nonché guanti protettivi.** Se si avrà cura d'indossare equipaggiamento protettivo individuale come la maschera antipolvere, la calzatura antidirrucciolevole di sicurezza, il casco protettivo o la protezione dell'udito, a seconda dell'impiego previsto per l'utensile elettrico, si potrà ridurre il rischio di ferite.
- Evitare l'accensione involontaria dell'utensile. Assicurarsi che il tasto si trovi in posizione di «SPENTO», prima d'inserire la spina nella presa di corrente.** Il fatto di tenere il dito sopra all'interruttore o di collegare l'utensile acceso all'alimentazione di corrente potrà essere causa di incidenti.
- Togliere gli attrezzi di regolazione o la chiave inglese prima di accendere l'utensile.** Un utensile o una chiave inglese che si trovino in una parte di strumento in rotazione potranno causare lesioni.
- È importante non sopravvalutarsi. Avere cura di mettersi in posizione sicura e di mantenere l'equilibrio.** In tale maniera sarà possibile controllare meglio l'apparecchio in situazioni inaspettate.
- Indossare vestiti adeguati. Evitare di indossare vestiti lenti o gioielli. Tenere i capelli, i vestiti ed i guanti lontani da pezzi in movimento.** Vestiti lenti, gioielli o capelli lunghi potranno impigliarsi in pezzi in movimento.
- Se sussiste la possibilità di montare dispositivi di aspirazione o di captazione della polvere, assicurarsi che gli stessi siano stati installati correttamente e vengano utilizzati senza errori.** L'impiego dei suddetti dispositivi diminuisce il pericolo rappresentato dalla polvere.

4) MANEGGIO ED IMPIEGO ACCURATO DI UTENSILI ELETTRICI

- a) **Non sovraccaricare l'utensile. Impiegare l'utensile elettrico adatto per sbrigare il lavoro.** Utilizzando l'utensile elettrico adatto si potrà lavorare meglio e con maggior sicurezza nell'ambito della gamma di potenza indicata.
- b) **Non utilizzare utensili elettrici con interruttori difettosi.** Un utensile elettrico che non si può più accendere o spegnere è pericoloso e dovrà essere riparato.
- c) **Togliere la spina dalla presa di corrente prima di regolare l'apparecchio, di sostituire pezzi di ricambio o di mettere da parte l'apparecchio.** Tale precauzione eviterà che l'apparecchio possa essere messo in funzione inavvertitamente.
- d) **Custodire gli utensili elettrici non utilizzati al di fuori della portata dei bambini. Non fare usare l'apparecchio a persone che non sono abituate ad usarlo o che non abbiano letto le presenti istruzioni.** Gli utensili elettrici sono pericolosi se utilizzati da persone inesperte.
- e) **Effettuare accuratamente la manutenzione dell'apparecchio. Verificare che le parti mobili dello strumento funzionino perfettamente e non s'incepino, che non ci siano pezzi rotti o danneggiati al punto tale da limitare la funzione dell'apparecchio stesso. Far riparare le parti danneggiate prima d'impiegare l'apparecchio.** Numerosi incidenti vengono causati da utensili elettrici la cui manutenzione è stata effettuata poco accuratamente.
- f) **Mantenere affilati e puliti gli utensili da taglio.** Gli utensili da taglio curati con particolare attenzione e con taglienti affilati s'incepiscono meno frequentemente e sono più facili da condurre.
- g) **Utilizzare utensili elettrici, accessori, attrezzi, ecc. in conformità con le presenti istruzioni e secondo quanto previsto per questo tipo specifico di apparecchio. Osservare le condizioni di lavoro ed il lavoro da eseguirsi durante l'impiego.** L'impiego di utensili elettrici per usi diversi da quelli consentiti potrà dar luogo a situazioni di pericolo.

5) ASSISTENZA

- a) **Fare riparare l'apparecchio solo ed esclusivamente da personale specializzato e solo impiegando pezzi di ricambio originali.** In tale maniera potrà essere salvaguardata la sicurezza dell'apparecchio.

ISTRUZIONI DI SICUREZZA PER SMERIGLIATRICI ANGOLARI

NOTE GENERALI

- Usare questo utensile solo per smeriglio/taglio a secco
- Usare solamente le flange fornite con questo utensile
- Questo utensile non deve essere usato da persone di età inferiore a 16 anni
- **Staccate sempre la spina dell'utensile prima di effettuare regolazioni o cambiare gli accessori**

ACCESSORI

- Usare gli accessori SKIL che si possono ottenere presso il vostro negoziante
- Per il montaggio/uso di accessori non di produzione SKIL, osservare le istruzioni del fabbricante interessato

- Utilizzate solo accessori il cui numero massimo di giri corrisponda almeno al massimo dei numeri di giri dell'utensile
- Non usare mole da smeriglio/taglio danneggiati, deformati, o vibranti
- Maneggiare e conservare con cura i mole da smeriglio/taglio onde evitare scheggiature e rottura
- Proteggere gli accessori da impatto, da urti e dal grasso
- Non usare mole da smeriglio/taglio che siano più grandi della dimensione raccomandata
- Usare solamente mole da smeriglio/taglio con foro del diametro adatto per la flangia di montaggio G ④ senza gioco; non usare mai riduttori/adattatori per adattarli su mole da smeriglio/taglio di foro più grande
- Non usare mai mole da smeriglio/taglio con foro filettato, quando la filettatura non è sufficientemente da accettare la lunghezza dell'albero dell'utensile
- Non usare mai accessori con un foro "cieco" filettato di dimensione inferiore a M14 x 21 mm

USO ALL'ESTERNO

- Collegare l'utensile attraverso un interruttore automatico di corrente (FI) con una corrente di scatto di 30 mA massimo
- Usare solamente una prolunga che serve per uso all'esterno e munita di presa a prova di spruzzo

PRIMA DELL'USO

- Prima di usare l'utensile per la prima volta, si raccomanda di ricevere istruzioni pratiche
- **Non lavorare mai materiali contenenti amianto** (l'amianto è ritenuto materiale cancerogeno)
- **Prendere dei provvedimenti appropriati in caso che durante il lavoro dovessero svilupparsi polveri dannose per la salute, infiammabili oppure esplosive** (alcune polveri sono considerate cancerogene); portare una maschera di protezione contro la polvere ed utilizzare, se collegabile, un sistema di aspirazione polvere/aspirazione trucioli
- Fare attenzione di cavi elettrici nascosti o di tubi del gas o dell'acqua; controllare l'area di lavoro, ad esempio con un rivelatore di metalli
- Fare attenzione quando si tagliano delle scanalature, specialmente su muri di supporto (scanalature nei muri di supporto sono soggette a regolamenti specifici del paese; questi regolamenti devono essere osservati in tutte le circostanze)
- Serrare il pezzo in lavorazione in modo che non rimanga stazionario dal proprio peso
- Non serrare l'utensile in una morsa
- Usare prolunghie completamente srotolate e sicure con una capacità di 16 Ampere
- Indossare occhialoni e guanti di protezione, protezione dell'udito ③ e scarpe dure; quando necessario, indossare anche un grembiule
- Montare sempre l'impugnatura ausiliaria E ⑤ ed il riparo di protezione F ④; non usare mai l'utensile senza di questi
- Assicurarsi che l'utensile sia spento quando si inserisce alla rete

DURANTE L'USO

- Mantenere sempre il cavo distante da parti in movimento dell'utensile; spingere il cavo verso la parte posteriore, distante dall'utensile
 - Se il cavo viene danneggiato o tagliato durante la lavorazione, non toccarlo, ma scollegare immediatamente la spina; non usare mai l'utensile con un cavo danneggiato
 - Spinger il tasto D (4) di bloccaggio dell'albero solo quando l'albero A (4) è fermo
 - Mantenere le mani distanti dagli accessori che girano
 - Nella smerigliatura del metallo vengono generate scintille; allontanare altre persone o materiali infiammabili dall'area di lavoro
 - In caso di guasto elettrico o meccanico, spegnere immediatamente l'utensile e scollegare la spina
 - Nel caso che un disco da taglio si blocchi, che causa eccessiva forza di spinta sull'utensile, spegnere immediatamente l'utensile
 - In caso di mancata corrente oppure quando la spina viene tirata fuori accidentalmente, sbloccare immediatamente l'interruttore on/off H (4) e metterlo alla posizione OFF onde impedire riavvio incontrollato
 - Non applicare troppa pressione sull'utensile che si ferma
- ### DOPO L'USO
- Prima di riporre l'utensile, spegnere il motore ed assicurarsi che tutte le parti in movimento si siano arrestate completamente
 - Dopo aver spento l'utensile, non arrestare mai la rotazione dell'accessorio applicandovi una forza laterale

ELEMENTI UTENSILE (4)

- A Albero
- B Flangia di bloccaggio
- C Chiave
- D Tasto di bloccaggio dell'albero
- E Impugnatura ausiliaria
- F Riparo di protezione
- G Flangia di montaggio
- H Interruttore on/off di bloccaggio

USO

- Montaggio degli accessori (4)
 - ! **scollegare la spina**
 - pulire l'albero A e tutte le parti che si devono montare
 - serrare la flangia B di bloccaggio con la chiave C mentre si spinge il tasto D di bloccaggio dell'albero
 - per smontare gli accessori invertire la procedura
- ! **le mole da smeriglio/taglio si riscaldano molto durante l'uso; non toccarle fino a quando non si siano raffreddate**
- ! **montare sempre il tampone di supporto quando si usano accessori di sabbatura**
- ! **non usare mai la mola da smeriglio/taglio senza l'etichetta che è incollata su di essa**
- Impugnatura ausiliaria (5)
 - ! **scollegare la spina**
 - avvitare l'impugnatura ausiliaria E sul lato destro dell'utensile (secondo il lavoro da effettuare)

- Riparo di protezione
 - ! **scollegare la spina**
 - aprire il riparo di protezione F allentando la vite
 - posizionare il riparo di protezione F sul collare dell'albero e girarlo alla posizione richiesta (secondo il lavoro da effettuare)
 - fissare il riparo di protezione F serrando la vite
 - ! **assicurarsi che i lato chiuso del riparo di protezione sia sempre rivolto verso l'operatore**
- Prima di utilizzare l'utensile
 - assicurarsi che l'accessorio sia montato correttamente e fissato saldamente
 - controllare che l'accessorio giri liberamente, facendolo ruotare con la mano
 - fare girare a vuoto l'utensile per almeno 30 secondi alla velocità massima in una posizione sicura
 - arrestare immediatamente in caso di forti vibrazioni o altri difetti e cercare di determinare la causa
- Interruttore on/off di bloccaggio H (6)
 - attivare l'utensile (6a)
 - ! **attenzione all'impatto improvviso provocato dall'attivazione dell'utensile**
 - ! **prima che l'accessorio raggiunga il pezzo in lavorazione, l'utensile deve girare a piena velocità**
 - bloccare l'interruttore (6b)
 - sbloccare l'interruttore/disattivate l'utensile (6c)
 - ! **prima di disattivare l'utensile, lo stesso va sollevato dal pezzo in lavorazione**
 - ! **l'accessorio continua a ruotare per un certo tempo dopo che l'utensile è stato spento**
- Partenza dolce elettronica
 - Per raggiungere lentamente la velocità massima senza l'impatto improvviso provocato dall'accensione dell'utensile
- Velocità costante elettronica
 - Tiene costante la velocità anche quando aumenta il carico
- Smerigliatura (7)
 - muovere l'utensile avanti ed indietro con moderata pressione
 - ! **non usare mai una mola da taglio per smeriglio laterale**
- Taglio (8)
 - non inclinare l'utensile al taglio
 - muovere sempre l'utensile nella stessa direzione della freccia sulla testa dell'utensile, al fine di impedire che l'utensile venga spinto fuori dal taglio in modo non controllato
 - non applicare pressione sull'utensile; lasciare che la velocità della mola faccia il lavoro
 - la velocità di lavoro della mola da taglio dipende dal materiale da tagliare
 - non rompere le mole da taglio con pressione laterale
- Tenuta e guida dell'utensile
 - impugnare sempre l'utensile con entrambe le mani, in modo da averne completo controllo in qualsiasi momento
 - prevedere una posizione sicura
 - fare attenzione alla direzione di rotazione; mantenere sempre l'utensile in modo che scintille e polvere di smeriglio/taglio volano distante dal corpo
 - tenere libere e scoperte le feritoie di ventilazione

CONSIGLIO PRATICO

- Invece della flangia B ④ "CLIC" si può usare la flangia di serraggio J ④ a rapido scatto (accessorio SKIL 2610388766); le mole da smeriglio/taglio possono quindi essere montate senza l'uso di chiavi accessorie

GARANZIA / TUTELA DELL'AMBIENTE

- Tenete sempre puliti utensile e cavo (soprattutto le feritoie di ventilazione)
! non cercate di pulire inserendo oggetti nelle feritoie di ventilazione
! prima di pulire estrarre la spina dalla presa
- Per gli utensili SKIL forniamo garanzia conforme alle disposizioni di legge/specifiche nazionali; guasti derivanti da usura naturale, sovraccarico o uso improprio dell'utensile sono esclusi dalla garanzia
- In caso di malfunzionamento, inviare l'utensile **non smontato** insieme a la fattura al fornitore oppure al più vicino servizio assistenza autorizzato SKIL (l'indirizzo ed il disegno delle parti di ricambio dell'utensile sono riportati su www.skileurope.com)
- **Non gettare l'utensile elettrico, gli accessori e l'imballaggio tra i rifiuti domestici** (solo per paesi UE)
 - secondo la Direttiva Europea 2002/96/CE sui rifiuti di utensili elettrici ed elettronici e la sua attuazione in conformità alle norme nazionali, gli utensili elettrici esausti devono essere raccolti separatamente, al fine di essere reimpiegati in modo eco-compatibile
 - il simbolo ⑨ vi ricorderà questo fatto quando dovrete eliminarle

H

Sarokcsiszoló

9295

BEVEZETÉS

- Ez a szerszám gép fém- és kőanyagok víz használata nélküli csiszolására, vágására és sorjázására szolgál; a megfelelő tartozékokkal kifelésre és dörzsfelületek csiszolásra is használható
- Kérjük, hogy a kezelési útmutatót gondosan olvassa el, és őrizze meg ②

MŰSZAKI ADATOK ①

BIZTONSÁG

ÁLTALÁNOS BIZTONSÁGI ELŐÍRÁSOK

FIGYELEM! Olvassa el valamennyi előírást.

A következőkben leírt előírások helytelen betartása áramütésekhez, tuzhöz és/vagy súlyos testi sérülésekhez vezethet. Az alább alkalmazott "elektromos kéziszerszám" fogalom a hálózati elektromos kéziszerszámokat (hálózati kábelrel és csatlakozóval) foglalja magában.

1) MUNKAHELY

- a) **Tartsa tisztán és tartsa rendben a munkahelyét.**

Rendetlen munkahelyek és megvilágítatlan munkaterületek balesetekhez vezethetnek.

- b) **Ne dolgozzon az elektromos kéziszerszámmal olyan robbanásveszélyes környezetben, ahol éghető folyadékok, gázok vagy porok vannak.** Az elektromos kéziszerszámok szikrákat bocsáthatnak ki, amelyek meggyújthatják a port vagy a gőzöket.
- c) **Tartsa távol a gyerekeket és az idegen személyeket a munkahelytől, ha az elektromos kéziszerszámot használja.** Ha elvonják a figyelmét a munkától, könnyen elvesztheti az uralmát a berendezés felett.
- 2) **ELEKTROMOS BIZTONSÁGI ELŐÍRÁSOK**
- a) **A készülék csatlakozó dugójának bele kell illeszkednie a dugaszolóaljzatba. A csatlakozó dugót semmilyen módon sem szabad megváltoztatni. Védőföldeléssel ellátott készülékekkel kapcsolatban ne használjon csatlakozó adaptert.** A változtatás nélküli csatlakozó dugók és a megfelelő dugaszoló aljzatok csökkentik az áramütés kockázatát.
- b) **Ne érjen hozzá földelt felületekhez, mint csövekhez, futótestekhez, kályhákhoz és hűtőszekrényekhez.** Az áramütési veszély megnövekszik, ha a teste le van földelve.
- c) **Tartsa távol az elektromos kéziszerszámot az esőtől és a nedvesség hatásaitól.** Ha víz hatol be egy elektromos kéziszerszámba, ez megnöveli az áramütés veszélyét.
- d) **Ne használja a kábelt a rendeltetésétől eltérő célokra, vagyis a szerszámot soha ne hordozza vagy akassza fel a kábelnél fogva, és soha ne húzza ki a hálózati csatlakozó dugót a kábelnél fogva. Tartsa távol a kábelt hőforrásoktól, olajtól, éles élektől, sarkaktól és mozgó gépalkatrészekről.** Egy megrongálódott vagy csomókkal teli kábel megnöveli az áramütés veszélyét.
- e) **Ha egy elektromos kéziszerszámmal a szabad ég alatt dolgozik, csak a szabadban való használatra engedélyezett hosszabbítót használjon.** A szabadban való használatra engedélyezett hosszabbító használat csökkenti az áramütés veszélyét.
- 3) **SZEMÉLYI BIZTONSÁGI ELŐÍRÁSOK**
- a) **Munka közben mindig figyeljen, ügyeljen arra, amit csinál, és meggondoltan dolgozzon az elektromos kéziszerszámmal. Ha fáradt, ha kábítószerek vagy alkohol hatása alatt áll, vagy orvosságokat vett be, ne használja a berendezést.** A berendezéssel végzett munka közben már egy pillanatnyi figyelmetlenség is komoly sérülésekhez vezethet.
- b) **Viseljen személyi védőfelszerelést és mindig viseljen védőszemüveget.** A személyi védőfelszerelések, mint porvédő álarc, csúszásbiztos védőcipő, védősapka és fülvédő használata az elektromos kéziszerszám használata jellegének megfelelően csökkenti a személyes sérülések kockázatát.
- c) **Kerülje el az elektromos kéziszerszám akaratlan üzembe helyezését. Győződjön meg arról, hogy a kapcsoló a "KI" helyzetben van, mielőtt bedugná a csatlakozó dugót a dugaszolóaljzatba.** Ha az elektromos kéziszerszám felemelése közben az ujját a kapcsolón tartja, vagy ha a készüléket bekapcsolt állapotban csatlakoztatja az áramforráshoz, ez balesetekhez vezethet.

- d) **Az elektromos kéziszerszám bekapcsolása előtt okvetlenül távolítsa el a beállító szerszámokat vagy csavarkulcsokat.** Az elektromos kéziszerszám forgó részében felejtett beállító szerszám vagy csavarkulcs sérüléseket okozhat.
- e) **Ne bec sülj e túl önmagát. Kerü lje el a normálistól eltérő tesztartást, ügyeljen arra, hogy mindig biztosan álljon és az egységüllyént megtartsa.** Így az elektromos kéziszerszám felett váratlan helyzetekben is jobban tud uralkodni.
- f) **Viseljen megfelelő ruhát. Ne viseljen bő ruhát vagy ékszer eket. Tartsa távol a haját, a ruháját és a kesztyűjét a mozgó részektől.** A bő ruhát, az ékszer eket és a hosszú haját a mozgó alkatrészek magukkal ránthatják.
- g) **Ha az elektromos kéziszerszámra fel lehet szerelni a por elszívásához és összegyűjtéséhez szükséges berendezéseket, ellenőrizze, hogy azok megfelelő módon hozzá vannak kapcsolva a készülékhez és rendeltetésüknek megfelelően működnek.**
Ezen berendezések használata csökkenti a munka során keletkező por veszélyes hatását.
- 4) AZ ELEKTROMOS KÉZISZERSZÁMOK GONDOS KEZELÉSE ÉS HASZNÁLATA**
- a) **Ne terhelje túl az elektromos kéziszerszámot. A munkájához csak az arra szolgáló elektromos kéziszerszámot használja.** Egy alkalmas elektromos kéziszerszámmal a megadott teljesítménytartományon belül jobban és biztonságosabban lehet dolgozni.
- b) **Ne használjon olyan elektromos kéziszerszámot, amelynek a kapcsolója elromlott.** Egy olyan elektromos kéziszerszám, amelyet nem lehet sem be-, sem kikapcsolni, veszélyes és meg kell javíttatni.
- c) **Húzza ki a csatlakozó dugót a dugaszolóaljzatból, mielőtt az elektromos kéziszerszámon beállítási munkákat végez, tartozékokat cserél vagy a szerszámot tárolásra elteszi.** Ez az elővigyázatossági intézkedés meggátolja a szerszám akaratlan üzembe helyezését.
- d) **A használaton kívüli elektromos kéziszerszámokat olyan helyen tárolja, ahol azokhoz gyerekek ne férhessenek hozzá. Ne hagyja, hogy olyan személyek használják az elektromos kéziszerszámot, akik nem ismerik a szerszámot vagy nem olvasták el ezt az útmutatót.** Az elektromos kéziszerszámok veszélyesek, ha azokat gyakorlatlan személyek használják.
- e) **A készüléket gondosan ápolja. Ellenőrizze, hogy a mozgó alkatrészek kifogástalanul működnek-e, nincsenek-e beszorulva, és nincsenek-e eltörve vagy megrongálódva olyan alkatrészek, amelyek hatással lehetnek az elektromos kéziszerszám működésére. A megrongálódott részeket a készülék használata előtt javíttassa meg.** Sok olyan baleset történik, amelyet az elektromos kéziszerszám nem kielégítő karbantartására lehet visszavezetni.
- f) **Tartsa tisztán és éles állapotban a vágószerszámokat.** Az éles vágóélekkel rendelkező és gondosan ápol t vágószerszámok ritkábban ékelődnek be és azokat könnyebben lehet vezetni és irányítani.

- g) **Az elektromos kéziszerszámokat, tartozékokat, betétszerszámokat stb. csak ezen előírásoknak és az adott készüléktípusra vonatkozó kezelési utasításoknak megfelelően használja. Vegye figyelembe a munkafeltételeket és a kivitelezendő munka sajátosságait.** Az elektromos kéziszerszám eredeti rendeltetésétől eltérő célokra való alkalmazása veszélyes helyzetekhez vezethet.

5) SZERVIZ

- a) **Az elektromos kéziszerszámot csak szakképzett személyzet és csak eredeti pótalkatrészek felhasználásával javíthatja.** Ez biztosítja, hogy az elektromos kéziszerszám biztonságos szerszám maradjon.

SAROKCSISZOLÓK BIZTONSÁGI ELŐÍRÁSAI

ÁLTALÁNOS TUDNIVALÓK

- Ezt a szerszámot kizárólag száraz csiszolásra/vágásra használja
- Csak a szerszámmal együtt szállított gyűrűket használja
- A készüléket csak 16 éven felüli személyek használják
- **Mindig húzza ki a dugaszolóaljzatot mielőtt tartozékokat cserélne vagy bármit változtatna a gép beállításán**

TARTOZÉKOK

- Használjon eredeti SKIL-tartozékokat, melyek a SKIL-márkakereskedőknél kaphatók
- Ha nem SKIL-tartozékokat szerel fel/használ, az adott gyártó előírásait tartsa be
- Csak olyan tartozékokat használjon, amelyek legmagasabb megengedett fordulatszáma legalább akkora, mint a berendezés legmagasabb üresjáratú fordulatszáma
- Ne használjon károsodott, deformálódott vagy rezgő csiszoló-/vágókorongot
- A csiszoló-/vágókorongokat a lepattogzás és a megrepedés megelőzése érdekében óvatosan kezelje és tárolja
- A tartozékokat védje az ütődésektől és a kenőanyagoktól
- Ne használjon a legnagyobb megengedett méretünél nagyobb csiszoló-/vágókorongot
- Csak olyan lyukátmérőjű csiszoló-/vágókorongokat használjon, melyek kotyogás nélkül illeszkednek a G Ⓞ-es szerelőgyűrűhöz; a nagy lyukméretű csiszoló-/vágókorongokat alkalmazása érdekében tilos fordulatszám-csökkentő áttételt vagy rátétet használni
- Ne használjon olyan menetes lyukkal rendelkező csiszoló- vagy vágókorongot, melynek menete nem elég hosszú a szerszám tengelyhosszának befogadásához
- Tilos olyan tartozékokat használni, melynek zárt menetes lyukmérete kisebb mint M14 x 21 mm

KÜLTÉRI HASZNÁLAT

- A szerszámgépet rövidzárlati (FI) áramkör-megszakítóval keresztül csatlakoztassa, melynek kioldóárama maximum 30 mA
- Csakis kültéri használatra gyártott hosszabbítókábel t használjon, mely freccsenő víz ellen védett dugaszolóaljzattal rendelkezik

HASZNÁLAT ELŐTT

- A szerszámgép legelső alkalommal történő használata előtt ajánlott gyakorlati tájékoztatást kérni

- **Ne munkáljon meg a berendezéssel azbeszteszt tartalmazó anyagokat** (az azbesztesztnek rákkeltő hatása van)
- **Hozza meg a szükséges védőintézkedéseket, ha a munkák során egészségkárosító hatású, éghető vagy robbanékony porok keletkezhetnek** (egykes porfajták rákkeltő hatásúak); viseljen porvédő álarcot és használjon, ha hozzá lehet csatlakoztatni a berendezéshez, egy por-/forgácselszívó berendezést
- Bánjon óvatosan a rejtett elektromos vezetékkel vagy gáz- és vízcövekkel; a munkaterületet ellenőrizze például fémdetektorral
- Hornyok vésésekor legyen óvatos, különösen tartófalak esetében (a teherhordó falakba vésethő résekre országról országra változó előírások érvényesek; ezeket az előírásokat minden helyzetben feltétlenül be kell tartani)
- Ha a munkadarabot nem tartja a helyén saját súlya, rögzítse azt
- A szerszámgépet tilos satuba fogni
- Használjon teljesen letekert és biztonságos hosszabbítókábel, 16 A-es teljesítménnyel
- Viseljen védőszemüveget és -kesztyűt, zaj elleni fülvédőt ③ és kemény cipőt; szükség esetén vegyen fel kötényt is
- Mindig szerelje fel az E ⑤-es oldalfogantyút és az F ④-es védőpajzsot; a szerszámgépet soha se használja ezek nélkül
- Mielőtt a gépet dugaszolóaljzatba csatlakoztatná, gondoskodjon arról, hogy az ki legyen kapcsolva

HASZNÁLAT KÖZBEN

- A gép mozgó részeitől mindig tartsa távol az elektromos kábel; terelje a tápkábelt a gép hátulja felé, a géptől elfelé
- Ha munka közben az elektromos kábel megsérül vagy átvágja, ne nyúljon a kábelhez, hanem azonnal húzza ki a dugaszolóaljzattól; tilos a gépet sérült elektromos kábelrel használni
- Csak akkor nyomja meg a D ④ jelű, elfordulás elleni gombot, amikor az A ④ jelű tengely mozdulatlanul áll
- Kézét tartsa távol a forgó tartozékoktól
- Fémekek csiszolása közben szikrák keletkeznek; tartson távol a munkaterülettől minden más személyt és a gyúlékony anyagokat
- Elektromos vagy mechanikus működési hiba esetén azonnal kapcsolja ki a gépet és húzza ki a dugaszolóaljzattól
- Ha a vágókorong elakad, és emiatt rángat a szerszám, azonnal kapcsolja ki
- Ha áramszünet következik be, vagy ha a dugós csatlakozót véletlenül kihúzza, a gép akaratlan újraindításának megelőzésére azonnal oldja fel a be/ki kapcsoló H ④ zárolását, és állítsa a kapcsolót a KI állásba
- Soha ne fejtse ki akkora nyomást a gépre, hogy az megálljon

A HASZNÁLATOT KÖVETŐEN

- Mielőtt leteszi a gépet, kapcsolja ki a motort és bizonyosodjon meg arról, hogy minden mozgó alkatrész teljesen megállt
- Miután kikapcsolta a készüléket, a tartozék forgását sose annak síkjára merőleges erővel állítsa meg

SZERSZÁMGÉP ELEMEI ④

- A Tengely
- B Rögzítőgyűrű
- C Csavar kulcs
- D Elfordulás elleni gomb
- E Oldalfogantyú
- F Védőpajzs
- G Szerelőgyűrű
- H Biztonsági be/ki kapcsoló

KEZELÉS

- Tartozékok felszerelése ④
 - ! **húzza ki a dugós csatlakozót**
 - tisztítsa meg az A jelű tengelyt és az összes felszerelendő alkatrészt
 - szorítsa meg a B jelű rögzítőgyűrűt a C jelű tartozék kulccsal, és közben nyomja meg a D jelű, elfordulás elleni gombot
 - tartozékok levételéhez fordított sorrendben ismételje meg az előző lépéseket
 - ! **használat közben a csiszoló-/vágókorongok nagyon felmelegednek; ne érintse meg őket, míg le nem hűltek**
 - ! **ha dörzsfelületű csiszoló/tartozékokat használ, mindig szerelje fel az alátétlapot**
 - ! **tilos olyan csiszoló-/vágókorongot használni, melyről hiányzik a címke, melyet a korongra ragasztanak**
- Oldalfogantyú ⑤
 - ! **húzza ki a dugós csatlakozót**
 - csavarozza az E jelű oldalfogantyút a gép jobb vagy bal oldalára (az elvégzendő munkától függően)
- Védőpajzs
 - ! **húzza ki a dugós csatlakozót**
 - a csavart megfeszítésével az F védőpajzsot nyissuk ki
 - helyezze az F jelű védőpajzsot a gépfej tengelygallérrjára, majd fordítsa a kívánt pozícióba (az elvégzendő munkától függően)
 - a csavart meghúzásával az F védőpajzsot rögzítsuk
 - ! **gondoskodjon arról, hogy a védőpajzs zárt fele mindig a működtető személy felé álljon**
- Mielőtt üzembe helyezné a gépet
 - ellenőrizze, hogy a tartozék helyesen legyen felszerelve, valamint a csavarokkal megfelelően rögzítve legyenek
 - kézzel ellenőrizze, hogy a vágótárcsa szabadon mozogjon
 - egy próba bekapcsolást végezzen el úgy, hogy a gép legalább 30 másodpercig a legmagasabb fordulatszámra terhelés nélkül üzemeljen biztonságos körülmények között
 - erős vibrálásnál vagy más hibák észlelésekor gépet rögtön kapcsolja ki és ellenőrizze a gép előírásnak megfelelően került üzemeltetésre
- Biztonsági be/kikapcsoló H ⑥
 - kapcsolja be a gépet ⑥ a
 - ! **ügyeljen arra, hogy bekapcsoláskor a készülék visszaránt mielőtt a készüléket a munkadarabra/ba vezetné, várja meg, amíg a motor a maximális fordulatszámra ér**

- rögzítse a kapcsolót ⑥b
- feloldja a rögzítést/kapcsolja ki a gépet ⑥c
- ! **kikapcsolás előtt készülékét távolítsa el a munkadarabtól**
- ! **a gép kikapcsolása után a tárcsa egy pár másodpercig tovább forog**
- Elektronikus késleltető
A késleltető a max. fordulatszámot biztosítja, hogy a gép bekapcsolásakor ne rántsön nagyot
- Elektronikus sebesség-tartás
Növekvő terhelés mellett is állandó sebességet biztosít
- Csiszolás ⑦
 - a szerszámra mérsékelt nyomást kifejtve mozgassa azt előre-hátra
- ! **tilos vágókorongot használni oldalélek csiszolására**
- Vágás ⑧
 - vágáskor ne döntse meg a szerszámgépet
 - a gépet mindig a szerszámfejen látható nyíl irányába mozgassa, így előzhető meg az, hogy a gép a vágási résből ellenőrizetlen módon kilökődjön
 - ne fejtsen ki nyomóerőt a szerszámra; a vágókorong - sebessége folytán - szükségtelem nélkül teszi azt
 - a vágókorong sebessége a vágandó anyagtól függ
 - tilos a vágókorongokat oldalirányból kifejtett nyomással fékezni
- A szerszám tartása és vezetése
 - a gépet mindig mindkét kézzel erősen fogva tartsa, hogy így mindenkor teljesen ellenőrzése alatt legyen a gép
 - gondoskodjon szilárd támaszról
 - figyeljen a forgás irányára; mindig úgy tartsa a gépet, hogy a szikrák és a csiszolási/vágási por öntől elfelé repüljön
 - a levegőnyílásokat mindig tartsa tisztán és szabadon

HASZNÁLAT

- A B ④ jelű gyűrű helyet használható a J ④ jelű "CLIC" gyorsrögzítő gyűrű (2610388766-es számú SKIL tartozék); ezután a csiszoló-/vágókorongokat tartozék kulcs nélkül lehet felszerelni

GARANCIA / KÖRNYEZET

- Mindig tartsa tisztán a gépet és a vezetékét (különös tekintettel a levegőnyílásokra)
! **tisztításnál a levegőnyílásokra ne használjon hegyes tárgyakat**
! **tisztítás előtt húzza ki a csatlakozódugót**
- Fent említett termékére a SKIL a törvényes/országonként változó előírások szerint vállal garanciát; a garancia nem vonatkozik a szokványos használat során fellépő normális kopásra és a nem megfelelő használat illetve túlterhelés okozta károsodásra
- Panasz esetén küldje az **összeszerelt** gépet a vásárlást bizonyító számlával együtt a kereskedő vagy a legközelebbi SKIL szervizátlomás címére (a címlista és a gép szervizdiagramja a www.skileurope.com címen található)

- **Az elektromos kéziszerszámokat, tartozékokat és csomagolást ne dobja a háztartási szemétkébe** (csak EU-országok számára)
 - a használt villamos és elektronikai készülékekről szóló 2002/96/EK irányelv és annak a nemzeti jogba való átültetése szerint az elhasznált elektromos kéziszerszámokat külön kell gyűjteni, és környezetbarát módon újra kell hasznosítani
 - erre emlékeztet a ⑨ jelzés, amennyiben felmerül az intézkedésre való igény

CZ

Úhlová bruska

9295

ÚVOD

- Tento nástroj je určen k broušení, řezání a odstraňování ořepů kovových a kamenných materiálů bez použití vody; s vhodným příslušenstvím lze nástroj použít také k očišťování a pískování
- Pečlivě si prostudujte a dodržujte tento návod ②

TECHNICKÉ ÚDAJE ①

BEZPEČNOSTNÍ

VŠEOBECNÉ BEZPEČNOSTNÍ PŘEDPISY

POZOR! Čtete všechny pokyny. Chyby při dodržování níže uvedených pokynů mohou způsobit elektrický úder, požár, event. těžká poranění. Níže použitý pojem „elektronářadí“ se vztahuje na elektronářadí provozované na el. síti (s přípojevacím kabelem).

1) PRACOVNÍ MÍSTO

- Udržujte Vaše pracovní místo čisté a uklizené.**
Nepořádek a neosvětlené pracovní oblasti mohou vést k úrazům.
- Se strojem nepracujte v prostředích ohrožených explozí, kde se nacházejí hořlavé kapaliny, plyny nebo prach.** Elektronářadí vytváří jiskry, které mohou prach nebo páry zapálit.
- Děti a jiné osoby udržujte při použití elektronářadí daleko od Vašeho pracovního místa.** Při rozptýlení můžete ztratit kontrolu nad strojem.

2) ELEKTRICKÁ BEZPEČNOST

- Přípojevací zástrčka stroje musí lícovat se zásuvkou. Zástrčka nesmí být žádným způsobem upravena. Společně se stroji s ochranným uzemněním nepoužívejte žádné adaptérové zástrčky.** Neupravené zástrčky a vhodné zásuvky snižují riziko elektrického úderu.
- Zabraňte kontaktu těla s uzemněnými povrchy, jako např. potrubí, topení, sporáky a chladničky.** Je-li Vaše tělo uzemněno, existuje zvýšené riziko elektrického úderu.
- Chraňte stroj před deštěm a vlhkem.** Vniknutí vody do elektrického stroje zvyšuje nebezpečí elektrického úderu.

- d) **Dbejte na účel kabelu, nepoužívejte jej k nošení či zavěšení stroje nebo vytažení zástrčky ze zásuvky. Udržujte kabel daleko od tepla, oleje, ostrých hran nebo pohyblivých dílů stroje.** Poškozené nebo spletené kabely zvyšují riziko elektrického úderu.
- e) **Pokud pracujete s elektronářadím venku, použijte pouze takové prodlužovací kabely, které jsou schváleny i pro venkovní použití.**
Použití prodlužovacího kabelu, jež je vhodný pro použití venku, snižuje riziko elektrického úderu.
- 3) BEZPEČNOST OSOB**
- a) **Budte pozorní, dávejte pozor na to, co děláte a přistupujte k práci s elektronářadím rozumně. Stroj nepoužívejte pokud jste unaveni nebo pod vlivem drog, alkoholu nebo léků.** Moment nepozornosti při použití elektronářadí může vést k vážným poraněním.
- b) **Noste osobní ochranné pomůcky a vždy ochranné brýle.** Nošení osobních ochranných pomůcek jako maska proti prachu, bezpečnostní obuv s protiskluzovou podrážkou, ochranná přilba nebo sluchátka, podle druhu nasazení elektronářadí, snižují riziko poranění.
- c) **Zabraňte neúmyslnému uvedení stroje do provozu. Přesvědčte se ještě než zastrčíte zástrčku do zásuvky, že je spínač v poloze „VYPNUTO“.**
Máte-li při nošení stroje prst na spínači nebo pokud stroj připojíte ke zdroji proudu zapnutý, pak to může vést k úrazům.
- d) **Než stroj zapnete, odstraňte seřizovací nástroje nebo šroubovák.** Nástroj nebo klíč, který se nachází v otáčivém dílu stroje, může vést k poranění.
- e) **Nepřeceňujte se. Zajistěte si bezpečný postoj a vždy udržujte rovnováhu.** Tím můžete stroj v neočekávaných situacích lépe kontrolovat.
- f) **Noste vhodný oděv. Nenoste žádný volný oděv nebo šperky. Vlasy, oděv a rukavice udržujte daleko od pohybujících se dílů.** Volný oděv, šperky nebo dlouhé vlasy mohou být zachyceny pohybujícími se díly.
- g) **Lze-li namontovat odsávací či zachycující přípravky, přesvědčte se, že jsou připojeny a správně použity.** Použití těchto přípravků snižuje ohrožení prachem.
- 4) SVĚDOMITĚ ZACHÁZENÍ A POUŽÍVÁNÍ ELEKTRONÁŘADÍ**
- a) **Stroj nepřetěžujte. Pro svou práci použijte k tomu určený stroj.** S vhodným elektronářadím budete pracovat v udané oblasti výkonu lépe a bezpečněji.
- b) **Nepoužívejte žádné elektronářadí, jehož spínač je vadný.** Elektronářadí, které nelze zapnout či vypnout je nebezpečné a musí se opravit.
- c) **Než provedete seřízení stroje, výměnu dílů příslušenství nebo stroj odložíte, vytáhněte zástrčku ze zásuvky.** Toto preventivní opatření zabrání neúmyslnému zapnutí stroje.
- d) **Uchovávejte nepoužívané elektronářadí mimo dosah dětí. Nechte stroj používat osobám, které se strojem nejsou seznámeny nebo nečetly tyto pokyny.** Elektronářadí je nebezpečné, je-li používáno nezkušenými osobami.
- e) **Pečujte o stroj svědomitě. Zkontrolujte, zda pohyblivé díly stroje bezvadně fungují a nevzpříčují se, zda díly nejsou zlomené nebo poškozené tak, že je omezena funkce stroje. Poškozené díly nechte před nasazením stroje opravit.** Mnoho úrazů má příčinu ve špatně udržovaném elektronářadí.
- f) **Řezné nástroje udržujte ostré a čisté.**
Pečlivě ošetřované řezné nástroje s ostrými řeznými hranami se méně vzpříčují a dají se lehčeji vést.
- g) **Používejte elektronářadí, příslušenství, nasazovací nástroje apod. podle těchto pokynů a tak, jak je to pro ten určitý speciální typ stroje předepsáno. Respektujte přitom pracovní podmínky a prováděnou činnost.** Použití elektronářadí pro jiné než určující použití může vést k nebezpečným situacím.
- 5) SERVIS**
- a) **Nechte Váš stroj opravit pouze kvalifikovaným odborným personálem a pouze s originálními náhradními díly.** Tím bude zajištěno, že bezpečnost stroje zůstane zachována.

BEZPEČNOSTNÍ PŘEDPISY PRO ÚHLOVÉ BRUSKY

OBECNĚ

- Používejte tento nástroj pouze k broušení nebo řezání za sucha
- Používejte pouze příruby dodávané s tímto nástrojem
- Tento nástroj nesmí používat osoby mladší 16 let
- **Před seřizováním, měněním pilových listů a příslušenství, vždy vytáhněte zástrčku nářadí z el. sítě**

PŘÍSLUŠENSTVÍ

- Používejte originální příslušenství SKIL, které obdržíte u svého prodejce SKIL
- Při montáži nebo používání jiného příslušenství než značky SKIL se řište pokyny daného výrobce
- Používejte pouze příslušenství, jejichž dovolené otáčky jsou alespoň tak vysoké jako nejvyšší otáčky stroje naprázdno
- Nepoužívejte podkožené, deformované ani vibrující brusné/řezné kotouče
- S brusnými/řeznými kotouči manipulujte a skladujte je opatrně, zabráníte tak jejich vylamování a praskání
- Chraňte příslušenství před nárazy, otřesy a mastnotou
- Nepoužívejte brusné/řezné kotouče větší, než je maximální doporučená velikost
- Používejte pouze brusné/řezné kotouče s průměrem otvoru, který bez vůle odpovídá montážní přírubě G ④; k nasazení brusných/řezných kotoučů s velkými otvory nikdy nepoužívejte redukce ani adaptéry
- Nikdy nepoužívejte brusné/řezné kotouče se závitovým otvorem, jejichž závit není dostatečně dlouhý, aby pojal délku vřetena nástroje
- Nikdy nepoužívejte příslušenství se "slepým" závitovým otvorem menším než M14 x 21 mm

VENKOVNÍ POUŽITÍ

- Zapojte nástroj přes jistič poruchového proudu (FI) se spouštěcím proudem max. 30 mA
- Používejte pouze takovou prodlužovací dříň, která je určena pro venkovní použití a je vybavena spojovací zásuvkou chráněnou proti stříkající vodě

PŘED POUŽITÍM

- Před prvním použitím nástroje doporučujeme získání praktických informací
- **Nepracovávajte žádný materiál obsahující azbest** (azbest je karcinogenní)
- **Učiňte ochranná opatření, pokud při práci může vzniknout zdraví škodlivý, hořlavý nebo výbušný prach** (některý prach je karcinogenní); noste ochrannou masku proti prachu a použijte, lze-li jej připojit, odsávání prachu či třisek
- Dejte pozor na skryté elektrické vedení nebo plynové či vodovodní potrubí; zkontrolujte pracovní oblast, například pomocí detektoru kovu
- Při vyřezávání drážek předevdím do nosných zdí buďte opatrní (drážky v nosných stěnách se řídí specifickými předpisy konkrétní země; tyto předpisy je nutno za všech okolností dodržovat)
- Pokud obrobek nezůstává stabilní svou vlastní vahou, proveďte jeho upnutí
- Neupínejte nástroj do svěráku
- Používejte zcela rozvinuté a bezpečně prodlužovací šňůry o kapacitě 16 ampér
- Noste ochranné brýle a rukavice, ochranu sluchu ③ a pevnou obuv; v případě potřeby noste také zástěru
- Vždy připevňte pomocnou rukojeť E ⑤ a ochranný kryt F ④; bez nich nástroj nikdy nepoužívejte
- Přesvědčete se, zda je nástroj při zapojování do zásuvky vypnutý

BĚHEM POUŽITÍ

- Šňůru udržujte vždy mimo dosah pohyblivých částí nástroje; šňůru nasměrujte dozadu, pryč od nástroje
- Pokud během práce dojde k poškození nebo proříznutí šňůry, nedotýkejte se jí, ale ihned vytáhněte ze zásuvky; nástroj s poškozenou šňůrou nikdy nepoužívejte
- Zajišťovací tlačítko vřetena D ④ stiskněte pouze tehdy, je-li vřeteno A ④ v klidu
- Nedotýkejte se otáčivého příslušenství
- Při broušení kovu vznikají jiskry; udržujte ostatní osoby a hořlavý materiál mimo pracovní oblast
- V případě elektrické nebo mechanické poruchy ihned nástroj vypněte a vytáhněte ze zásuvky
- Pokud dojde k zablokování řezného kotouče, které se projeví trhavými pohyby nástroje, ihned nástroj vypněte
- V případě přerušení proudu nebo při náhodném vytažení ze zásuvky ihned uvolněte spínač vypnuto/zapnuto H ④ a dejte jej do polohy vypnuto (OFF), aby nedošlo k nekontrolovanému opětovnému spuštění
- Nevytvářejte na nástroj takový tlak, při kterém by došlo k jeho zastavení

PO POUŽITÍ

- Než nástroj odložíte, vypněte motor a přesvědčete se, že se všechny pohyblivé části úplně zastavily
- Po vypnutí nástroje nikdy nezastavujte otáčení příslušenství tlakem ze strany

SOUČÁSTI NÁSTROJE ④

- A Vřeteno
- B Upínací příruba
- C Maticový klíče
- D Zajišťovací tlačítko vřetena
- E Pomocná rukojeť
- F Ochranný kryt
- G Montážní příruba
- H Zajišťovací spínač zapnuto/vypnuto

OBSLUHU

- Připevnění příslušenství ④
 - ! **odpojte zástrčku**
 - vyčistěte vřeteno A a všechny části, které mají být připevněny
 - při stisknutém zajišťovacím tlačítku vřetena D utáhněte pomocí klíče C upínací přírubu B
 - při odstraňování příslušenství postupujte obráceně
 - ! **brusné/řezné kotouče se během používání velmi zahřívají; nedotýkejte se jich, dokud nevychladnou**
 - ! **při používání pískovacího příslušenství vždy připevňte výplňovou podložku**
 - ! **nikdy nepoužívejte brusný/řezný kotouč bez štítku, který je na něj přilepený**
- Pomocná rukojeť ⑤
 - ! **odpojte zástrčku**
 - našroubujte pomocnou rukojeť E na pravou nebo levou stranu nástroje (podle práce, kterou budete provádět)
- Ochranný kryt
 - ! **odpojte zástrčku**
 - otevřete ochranný kryt F povolením šroubu
 - umístěte ochranný kryt F na krček vřetena na vřeteníku nástroje a otáčejte jej do požadované polohy (v závislosti na práci, kterou budete provádět)
 - upevněte ochranný kryt F utažením šroubu
 - ! **zajistěte, aby uzavřená strana ochranného krytu směřovala vždy k obsluhující osobě**
- Před použitím nářadí
 - ujistěte se, že kotouč je správně usazen a pevně utažen
 - překontrolujte, zda se kotouč volně neprotáčí
 - bezpečně vyzkoušejte chod nářadí spuštěním alespoň na 30 vteřin v nejvyšším výkonu bez zatížení
 - okamžitě nářadí vypněte v případě velké vibrace nebo jiné závady, překontrolujte nářadí k zamezení těchto závad
- Zajišťovací spínač "zapnuto/vypnuto" H ④
 - zapněte nářadí ⑥a
 - ! **dejte pozor na reakci brusku při zapnutí motoru**
 - ! **nástroj přikládejte k obrobku až po dosažení maximálních otáček**
 - zajistěte spínač ⑥b
 - uvolnění arétrace/vypněte nářadí ⑥c
 - ! **před vypnutím brusku je nutné oddálit nářadí od obrobku**
 - ! **po vypnutí nářadí kotouč pokračuje v otáčivém pohybu, vyčkejte proto do úplného zastavení kotouče**

- Pozvolný rozběh
Vestavěná elektronika zajistí pozvolný rozběh brusky, bez velkého rázu po zapnutí
- Konstantní rychlost
Pomocí elektroniky je udržována konstantní rychlost i při kolísajícím zatížení nářadí
- Broušení ⑦
 - pohybujte nástrojem dozadu a dopředu pod mírným tlakem
 - ! **pro boční broušení nikdy nepoužívejte řezný kotouč**
- Řezání ⑧
 - nenakláňejte nástroj při řezání
 - nástrojem vždy pohybujte ve směru šipky na vřeteníku nástroje, aby nedošlo k nekontrolovanému vyklouznutí nástroje ze zářezu
 - na nástroj nevyvíjejte tlak; nechejte účinkovat rychlost řezného kotouče
 - pracovní rychlost řezného kotouče závisí na řezaném materiálu
 - nebrzděte řezné kotouče tlakem ze strany
- Držení a vedení nástroje
 - nástroj držte vždy pevně oběma rukama, jen tak budete mít v každém okamžiku nad nástrojem plnou kontrolu
 - zaujměte bezpečný postoj
 - dávejte pozor na směr otáčení; držte nástroj vždy tak, aby jiskra a brusný nebo řezný prach létaly směrem od těla
 - udržujte větrací štěrbyny čisté a nezakryté

POUŽITÍ

- Místo příruby B ④ lze použít rychloupínací přírubu "CLIC" J ④ (příslušenství SKIL 2610388766); brusné/řezné kotouče lze připevnit bez použití klíčů z příslušenství

ZÁRUKA / ŽIVOTNÍ PROSTŘEDÍ

- Nástroj a přívodní šňůru udržujte čisté (zejména větrací štěrbyny)
 - ! **nepokoušejte se je čistit tak, že strčíte hroty předmětů mezi větrací štěrbyny**
 - ! **před čištěním odpojte zástrčku**
- Na tento výrobek značky SKIL platí záruka podle statutárních regulací dané země; poškození způsobené běžným opotřebením, přetížením a nesprávným použitím není zárukou kryto
- V případě urgencye zašlete nástroj **nerozebraný** spolu s potvrzením o nákupu své prodejně nebo nejbližšímu servisnímu středisku SKIL (adresy a servisní schéma nástroje najdete na www.skileurope.com)
- **Elektrické nářadí, doplňky a balení nevyhazujte do komunálního odpadu** (jen pro státy EU)
 - podle evropské směrnice 2002/96/EG o nakládání s použitými elektrickými a elektronickými zařízeními a odpovídajících ustanovení právních předpisů jednotlivých zemí se použítá elektrická nářadí, musí sbírat odděleně od ostatního odpadu a podrobit ekologicky šetrnému recyklování
 - symbol ⑨ na to upozorňuje

Taşlama makinesi

9295

GİRİS

- Bu alet, şu kullanmadan metal ve taş malzemeleri taşlamak, kesmek ve çapaklarını almak üzere tasarlanmıştır; uygun aksesuarlar kullanılarak alet fırçalama ve kumlama için de kullanılabilir
- Lütfen bu kullanım kılavuzunu dikkatlice okuyun ve saklayın ②

TEKNİK ÖZELLİKLER ①

GÜVENLİK

GENEL GÜVENLİK TALİMATI

DİKKAT! Bu talimatın bütün hükümlerini okuyun. Aşağıdaki talimat hükümlerine uyarken hata yapılacak olursa, elektrik çarpmaları, yangın ve/veya ağır yaralanmalara neden olunabilir. Aşağıda kullanılan "Elektrikli el aleti" kavramı ile akım şebekesine bağlı elektrikli el aletleri (bağlantı kablolü) ifade edilmektedir.

1) ÇALIŞMA YERİ

- Çalıştığınız yeri temiz ve düzenli tutun.** İşyerindeki düzensizlik ve yetersiz aydınlatma kazalara neden olabilir.
- Yanıcı sıvıların, gazların veya tozların bulunduğu patlama tehlikesi olan yer ve mekânlarda aletinizle çalışmayın.** Elektrikli el aletleri, toz veya buharların tutuşmasına veya yanmasına neden olan kıvılcımlar çıkarırlar.
- Elektrikli el aletinizle çalışırken çocukları ve başkalarını çalışma alanınızın uzağında tutun.** Yakınınzda bulunan kişiler dikkatinizi dağıtabilir ve bu da alet üzerindeki kontrolünüzü kaybetmenize neden olabilir.

2) ELEKTRİKSEL GÜVENLİK

- Aletinizin bağlantı fişi prize uymalıdır. Fişi hiçbir şekilde değiştirmeyin. Korumucu topraklamalı aletlerle adaptörlü fiş kullanmayın.** Değiştirilmemiş, orijinal fiş ve uygun prizler elektrik çarpması tehlikesini azaltır.
- Borular, kalorifer tesisatı, ısıtıcılar ve buzdolapları gibi topraklanmış yüzeylerle bedensel temasa gelmekten kaçınınız.** Eğer bedeniniz topraklanacak olursa yüksek bir elektrik çarpması tehlikesi ortaya çıkar.
- Aletinizi yağmur ve nemden koruyun.** Elektrikli el aletinin içine suyun sızması elektrik çarpması tehlikesini yükseltir.
- Kabloyu kendi amacı dışında kullanmayın; örneğin aleti kablodan tutarak taşımayın, aleti kablo ile asmayın veya kablodan çekerek fişi prizden çıkarmayın.** Kabloyu aşırı sıcaktan, yağlardan, keskin kenarlı cisimlerden veya aletin hareketli parçalarından uzak tutun. Hasarlı veya dolaşmış kablo elektrik çarpması tehlikesini yükseltir.

- e) **Elektrikli el aletinizle açık havada çalışırken mutlaka açık havada kullanılmaya müsaaedeli uzatma kablosu kullanın.** Açık havada kullanılmaya uygun ve müsaaedeli uzatma kablosunun kullanılması elektrik çarpma tehlikesini azaltır.

3) KİŞİLERİN GÜVENLİĞİ

- a) **Dikkatli olun, ne yaptığınıza dikkat edin ve elektrikli el aletinizle çalışırken makul hareket edin.** **Yorgunsanız, hap, ilaç veya alkol almışsanız aletinizi kullanmayın.** Aletinizi kullanırken bir anlık dikkatsizliğiniz ciddi yaralanmalara yol açabilir.
- b) **Daima kişisel korunma donanımları ve bir koruyucu gözlük kullanın.** Elektrikli el aletinin türü ve kullanımına uygun olarak kullanacağınız toz maskesi, kaymayan sağlam iş ayakkabıları, koruyucu kask veya koruyucu kulaklık gibi kişisel korunma donanımlarını kullanmanız yaralanma tehlikesini büyük ölçüde azaltır.
- c) **Aletinizin kontrolünüz dışında çalışmaması için gerekli önlemleri alın. Fişi prize takmadan önce açma/kapama şalterinin mutlaka "Kapalı" konumda olduğundan emin olun.**

Aleti taşırken parmağınız açma/kapama şalteri üzerinde ise veya aleti açık durumda akım şebekesine bağlayacak olursanız kaza tehlikesi ile karşılaşabilirsiniz.

- d) **Aleti çalıştırmadan önce ayar aletlerini veya tornavidaları aletten uzaklaştırın.** Dönen alet parçasına temas halinde bulunan bir uç veya anahtar yaralanmalara neden olabilir.
- e) **Kendinize çok fazla güvenmeyin. Duruşunuzun güvenli olmasına dikkat edin ve daima dengenizi koruyun.** Bu sayede aletinizi beklenmedik durumlarda daha iyi kontrol edersiniz.
- f) **Uygun iş giysileri giyin. Çalışırken çok bol giysiler giymeyin ve takı takmayın. Saçlarınızı, giysilerinizi ve eldivenlerinizi aletin hareketli parçalarından uzak tutun.** Bol giysiler, takılar veya uzun saçlar aletin hareketli parçaları tarafından tutulabilir.
- g) **Aletinize toz emme donanımı ve toz tutma donanımı takılabiliyorsa, bunların bağlı olup olmadığını ve doğru işlev görüp görmediklerini kontrol edin.** Bu gibi donanımların kullanılması tozlardan gelebilecek tehlikeleri azaltır.
- 4) **ELEKTRİKLİ EL ALETLERİYLE DİKKATLİ ÇALIŞMAK VE ALETİ DOĞRU KULLANMAK**
- a) **Aletinizi aşırı ölçüde zorlamayın. İşinize uygun elektrikli el aletini kullanın.** Uygun elektrikli el aleti ile belirtilen performans alanında daha iyi ve daha güvenli çalışırsınız.
- b) **Açma/kapama şalteri arızalı olan elektrikli el aletini kullanmayın.** Açılıp kapanamayan bir elektrikli el aleti tehlikelidir ve onarılması gerekir.
- c) **Aletin kendinde bir ayarlama yapmadan, aksesuarı değiştirmeden veya aleti elinizden bırakmadan önce fişi prizden çekin.** Bu önem, aletin kontrolünüz dışında ve istenmeden çalışmasını önler.
- d) **Kullanım dışında iken elektrikli el aletinizi çocukların ulaşamayacağı bir yerde saklayın. Aleti kullanmayı bilmeyen veya bu güvenlik talimatını okumayan kişilerin aleti kullanmasına izin vermeyin.** Deneyimsiz kişiler tarafından kullanıldıkları takdirde elektrikli el aletleri tehlikeli olabilirler.

- e) **Aletinizin bakımını özenle yapın. Aletin hareketli parçalarının kusursuz işlev görüp görmediklerini ve sıkışmadıklarını, parçaların kırık veya hasarlı olup olmadıklarını kontrol edin, aksi takdirde alet işlevini tam olarak yerine getiremez. Aletinizi kullanmadan önce hasarlı parçaları onartın.** Birçok iş kazası aletlerin kötü ve yetersiz bakımından kaynaklanır.
- f) **Kesici uçları keskin ve temiz tutun.** İyi bakım görmüş kesici uçlar daha ender sıkışırlar ve daha iyi yönlendirilirler.
- g) **Elektrikli el aletlerini, aksesuarı, uçları ve benzerlerini bu güvenlik talimatına uygun olarak ve alet tipine özgü kurallara uyarak kullanın. Aletinizi kullanırken çalışma koşullarını ve yaptığınız işi daima dikkate alın.** Elektrikli el aletlerini kendileri için öngörülen işlerin dışında kullanmak tehlikeli durumların ortaya çıkmasına neden olabilir.
- 5) **SERVİS**
- a) **Aletinizi sadece uzman bir elemana ve orijinal yedek parçalar kullanılarak onartın.** Böylelikle aletin güvenliğini korumuş olursunuz.

TAŞLAMA MAKİNELERİ İÇİN GÜVENLİK TALİMATI

GENEL

- Bu aleti yalnız kuru taşlama ve kesme için kullanın
- Verilen kulakları yalnız bu araçla kullanın
- Bu alet 16 yaşın altındaki kişiler tarafından kullanılmamalıdır
- İstedüğünüz ayar değişikliklerini ve aksesuar değişikliklerini yapmadan önce mutlaka şebeke fişini prizden çekin

AKSESUARLAR

- SKIL satıcınızdan alabileceğiniz orijinal SKIL aksesuarlarını kullanın
- SKIL olmayan aksesuarların montajı/kullanımı için üreticisi tarafından verilen açıklamaları inceleyin
- Bu aletle kullanacağınız aksesuar edilen devir sayısı en azından aletin boşta ki en yüksek devir sayısı kadar olmalıdır
- Hasarlı, şekli bozulmuş veya titreyen taşlama/kesme diskleri kullanmayın
- Çatlamasını ve kırılmasını engellemek için taşlama/kesme disklerini dikkatli tutun ve saklayın
- Aksesuarları çarpmalardan darbelerden ve yağlı ortamlardan koruyun
- Önerilen en büyük boyuttan büyük taşlama/kesme disk kullanmayın
- Yalnız delik çapı montaj kulagı G ④ ile aynı ve oynamayan taşlama/kesme diskleri kullanın; geniş delikli taşlama/kesme disklerini uydurmak için hiçbir zaman daraltıcı parçalar veya adaptörler kullanmayın
- Hiçbir zaman diş mesafesi aletin mil uzunluğuna erişemeyen diş çukuru olan taşlama/kesme diskleri kullanmayın
- M14 x 21 mm'den küçük "kör" diş çukuru olan aksesuarlar kullanmayın

DISARIDA KULLANIM

- Aleti en fazla 30 mA tetikleme akımında kesen akım sigortasına (FI) bağlayarak kullanın

- Yalnızca dışarıda kullanılmak üzere tasarlanmış ve sudan korunmalı bağlama fişi olan bir uzatma kablosu kullanın

KULLANMADAN ÖNCE

- Aleti ilk kez kullanmadan önce pratik bilgiler alınması önerilir
- **Bu aletle asbest içeren malzemeleri işlemeyin** (asbest kanserojen bir madde kabul edilir)
- **Çalışma sırasında sağlığa zararlı, yanıcı veya patlayıcı tozların çıkma olasılığı varsa gerekli koruyucu önlemleri alın** (bazı tozlar kanserojen sayılır); koruyucu toz maskesi takın ve eğer aletinize takılabiliriyorsa bir toz/talaş emme tertibatı bağlayın
- Gizli elektrik kabloları veya gaz ve su borularına dikkat edin, çalışma alanını bir metal detektör ile kontrol edin
- Özellikle destek duvarlarında oluklar açarken dikkatli olun (destek duvarlarındaki delikler ülkeye özel kurallara bağlıdır; çalışmaya başlamadan önce bu kurallar tüm koşullar için sorumlu inşaat mühendisi)
- Kendi ağırlığıyla hareketsiz kalmazsa bir parçayla sıkıştırın
- Aleti mengeneyle sıkıştırmayın
- Tamamen kusursuz ve güvenli 16 Amp uzatma kabloları kullanın
- Koruyucu gözlük ve eldiven, koruyucu kulaklık ③ ve sağlam ayakkabılar giyin, gerekirse bir önlük takın
- Her zaman E ⑤ yardımcı kulpunu ve F ④ koruyucusunu takın, aleti bunlar olmadan kesinlikle kullanmayın
- Fişe takarken aletin kapalı olduğundan emin olun

KULLANIM SIRASINDA

- Kabloyu her zaman aletin hareketli parçalarından uzak tutun; kabloyu arka tarafta araçtan uzakta bulundurun
- Çalışırken kablo hasar görürse veya kesilirse, kabloya dokunmayın, hemen fişi çekin; aleti hiçbir zaman hasarlı bir kabloyla kullanmayın
- D ④ mil kilidini yalnızca A ④ mili hareketsizken itin
- Ellerinizi dönen parçalardan uzak tutun
- Metal taşlarken kıvılcım çıkar; diğer kişileri ve parlayıcı malzemeleri çalışma alanından uzak tutun
- Elektriksel veya mekaniksel hatalı çalışma durumunda aleti hemen kapatın ve fişi çekin
- Kesme diski durup araçta titreme olduğunda aleti hemen kapatın
- Akım kesilmesi sırasında veya fişin yanlışlıkla yerinden çıkması durumunda H ④ açma/kapatma anahtarının kilidini hemen açın ve beklenmeyen bir anda çalışmaya başlamasını engellemek için aleti OFF konuma getirin
- Cihazın hareketsiz kalmasına neden olacak kadar basınç uygulamayın

KULLANIMDAN SONRA

- Aleti yerleştirmeden önce motoru kapatın ve tüm hareketli parçaların durduğundan emin olun
- Aleti kapattıktan sonra hiçbir zaman yandan güç vererek aksesuarını dönüşünü durdurmayın

ALET BİLEŞENLERİ ④

- A Mil
- B Sıkma kulağı
- C Anahtar
- D Mil kilitleme düğmesi
- E Yardımcı kulp
- F Koruyucu
- G Montaj kulağı
- H Açma/kapama kilitleme şalteri

KULLANIM

- Aksesuarların takılması ④
 - ! **fişi çekin**
 - A milini ve takılan tüm parçaları temizleyin
 - D mil kilidi düğmesini iterken B sıkma kulagını C anahtarı ile sıkın
 - aksesuarları çıkartmak için tersini yapın
 - ! **kullanım sırasında taşlama/kesme diskleri çok ısınır; soguyana kadar bunlara dokunmayın**
 - ! **kumlama aksesuarları kullanırken her zaman destek yastığı takın**
 - ! **hiçbir zaman yapıştirilmiş etiketi olmayan taşlama/kesme diski kullanmayın**
- Yardımcı kulp ⑤
 - ! **fişi çekin**
 - E yardımcı kulpunu aracın soluna veya sağına vidalayın (yapılacak işe bağlı olarak)
- Koruyucu
 - ! **fişi çekin**
 - vidayı gevşetmek için F koruyucusunu açın
 - F koruyucusunu araç kafasının üstüne mil bileziğine yerleştirin ve gereken şekilde çevirin (yapılacak işe bağlı olarak)
 - vidayı sıkamak için F koruyucusunu bağlayın
 - ! **koruyucunun kapalı tarafının her zaman çalışana doğru olmasına dikkat edin**
- Aletinizi kullanmadan önce
 - aksesuarların doğru olarak monte edildiğinden ve iyice sıkılmış olduğundan emin olunuz
 - monte edilen aksesuarın serbestçe işleyip işlemediğini el ile döndürerek kontrol ediniz
 - aleti güvenli bir pozisyonda tutup, en az 30 saniye maksimum hızda ve boşta çalıştırarak bir deneme işletimi yapın
 - hissedilir derecede titreşim veya başka bozukluklar olması halinde aleti hemen kapatın ve muhtemel bozuklukların nedenlerini tespit edin
- Açma/kapama kilitleme şalteri H ⑥
 - aleti çalıştırın ⑥a
 - ! **alet çalıştığı anda ortaya çıkan sarsıntıya dikkat edin**
 - ! **aksesuar iş parçasına temas etmeden önce en yüksek devir sayısına ulaşılmalıdır**
 - şalteri kilitleyin ⑥b
 - şalteri kilitlemeyi açın/aleti kapatın ⑥c
 - ! **aletinizi kapatmadan önce iş parçası üzerinden çekin**
 - ! **aleti kapattıktan sonra, aksesuar bir kaç saniye dana dönmeye devam eder**

- Elektronik kontrollü yumuşak ilk hareket
Bu sistem, alet açıldıktan sonra sarsıntısız ve geri tepmesiz biçimde en yüksek devir sayısına ulaşılmasını sağlar
- Elektronik sabit hız kontrolü
Yük artarken hızın daima sabit kalmasını sağlar
- Taşlama ⑦
 - aleti hafif bir baskıyla ileri geri hareket ettirin
 - ! kenar taşlama için hiçbir zaman kesme diski kullanmayın**
- Kesme ⑧
 - kesme işlerinde aleti eğmeyin
 - aletin kontrol edilemez bir şekilde kesimden çıkmasını engellemek için aleti her zaman aletin başındaki ok yönünde hareket ettirin
 - araca bir baskı uygulamayın; kesme diskinin hızının isini yapmasını bekleyin
 - kesme diskinin çalışma hızı kesilen malzemeye bağlıdır
 - kesme diskini yandan bir baskıyla frenlemeyin
- Aracı tutma ve yönlendirme
 - aleti her zaman iki elinizle sıkıca tutun, böylece aletin kontrolü her zaman sizde olacaktır
 - saglam bir yüzeyde çalışın
 - dönme yönüne dikkat edin; aleti her zaman kivulicimların ve taşlama/kesme tozunun vücuttan uzaga dogru gidecegi şekilde tutun
 - havalandırma yuvalarını temiz ve açık tutun

UYGULAMA

- B ④ kulagi yerine “CLIC” hızlı sıkma kulagi J ④ (SKIL aksesuarı 2610388766) kullanılabilir; böylece taşlama/kesme diskleri aksesuar anahtarlar olmadan takılabilirler

GARANTİ / ÇEVRE

- Aleti ve kablosunu daima temiz tutun (özellikle havalandırma yuvalarını)
 - ! havalandırma yuvalarını sivri uçlu nesnelere sokarak temizlemeyi denemeyin**
 - ! temizlemeden önce, cihazın fişini prizden çekin**
- Bu SKIL ürünü yasal/ülkeye özel yönetmeliklere göre garanti altındadır, normal aşınma ve yıpranmadan doğabilecek hasarlar, aşırı yüklenme veya yanlış kullanım garanti kapsamında değildir
- Şikayet durumunda, aleti ambalajıyla birlikte satın alma belgenizi ekleyerek satıcınıza veya en yakın SKIL servisine ulaştırın (adresler ve aletin servis şemaları www.skileurope.com adresinde listelenmiştir)
- Elektrikli aletlerini, aksesuarları ve ambalajları evdeki çöp kutusuna atmayınız** (sadece AB ülkeleri için)
 - kullanılmış elektrikli aletleri, elektrik ve elektrikli eski cihazlar hakkındaki 2002/96/EC Avrupa yönergelerine göre ve bu yönergeler ulusal hukuk kurallarına göre uyarlanarak, ayrı olarak toplanmalı ve çevre şartlarına uygun bir şekilde tekrar değerlendirmeye gönderilmelidir
 - sembol ⑨ size bunu anımsatmalıdır

Szlifierka kątowa

9295

WSTĘP

- Narzędzie jest przeznaczone do szlifowania, cięcia i stępienia ostrych krawędzi metalu i kamienia, bez konieczności stosowania wody; przy użyciu odpowiedniego dodatkowego wyposażenia narzędzia można również używać do szczołkowania i piaskowania
- Przeczytaj i zachowaj instrukcję obsługi ②

DANE TECHNICZNE ①

WSKAZÓWKI BEZPIECZEŃSTWA

OGÓLNE PRZEPISY BEZPIECZEŃSTWA

UWAGA! Należy przeczytać wszystkie wskazówki. Błędy w przestrzeganiu następujących przepisów mogą spowodować porażenie prądem, pożar i/lub ciężkie obrażenia ciała. Użyte w dalszej części pojęcie „elektronarzędzie” odnosi się do elektronarzędzi zasilanych prądem (z kablem zasilającym).

1) MIEJSCE PRACY

- Miejsce pracy należy utrzymywać w czystości i dobrze oświetlone.** Nieporządek i nie oświetlone miejsce pracy mogą doprowadzić do wypadków.
- Nie należy pracować tym narzędziem w otoczeniu zagrożonym wybuchem, w którym znajdują się np. łatwopalne ciecz, gazy lub pyły.** Elektronarzędzia wytwarzają iskry, które mogą podpalić ten pył lub parę.
- Elektronarzędzie trzymać podczas pracy z daleka od dzieci i innych osób.** Przy nieuwadze można stracić kontrolę nad narzędziem.

2) BEZPIECZEŃSTWO ELEKTRYCZNE

- Wtyczka urządzenia musi pasować do gniazda. Nie wolno modyfikować wtyczki w jakikolwiek sposób. Nie należy używać wtyczek adapterowych razem z uziemnionymi narzędziami.** Niezmiennione wtyczki i pasujące gniazda zmniejszają ryzyko porażenia prądem.
- Należy unikać kontaktu z uziemnionymi powierzchniami jak rury, grzejniki, piece i lodówki.** Istnieje zwiększone ryzyko porażenia prądem, gdy Państwa ciało jest uziemnione.
- Urządzenie należy przechowywać zabezpieczone przed deszczem i wilgocią.** Wniknięcie wody do elektronarzędzia podwyższa ryzyko porażenia prądem.
- Nigdy nie należy używać kabla do innych czynności. Nigdy nie używać kabla do noszenia urządzenia za kabel, zawieszania lub do wyciągania wtyczki z gniazda. Kabel należy trzymać z daleka od wysokich temperatur, oleju, ostrych krawędzi lub ruchomych części urządzenia.** Uszkodzone lub poplątane kable zwiększają ryzyko porażenia prądem.

- e) W przypadku, kiedy elektronarzędziem pracuje się na świeżym powietrzu należy używać kabla przedłużającego, który dopuszczony jest do używania na zewnątrz. Użycie dopuszczonego do używania na zewnątrz kabla przedłużającego zmniejsza ryzyko porażenia prądem.
- 3) **BEZPIECZEŃSTWO OSÓB**
- a) Należy być uważnym, uważać na to co się robi i pracę elektronarzędziem rozpoczynać z rozsądkiem. Nie należy używać urządzenia gdy jest się zmęczonym lub pod wpływem narkotyków, alkoholu lub lekarstw. Moment nieuwagi podczas używania urządzenia może doprowadzić do poważnych urażeń ciała.
- b) Należy nosić osobiste wyposażenie ochronne i zawsze okulary ochronne. Noszenie osobistego wyposażenia ochronnego jak maska przeciwpyłowa, nie ślizgające się buty robocze, hełm ochronny lub ochrona słuchu, w zależności od rodzaju i zastosowania elektronarzędzia zmniejsza ryzyko obrażeń ciała.
- c) Należy unikać niezamierzonego uruchomienia narzędzia. Należy upewnić się, że włącznik/wyłącznik znajduje się w pozycji wyłączony zanim włożona zostanie wtyczka do gniazda. W przypadku, kiedy przy przenoszeniu urządzenia trzyma się palec na włączniku/wyłączniku lub włączone urządzenie podłączone zostanie do prądu, to może to doprowadzić do wypadków.
- d) Zanim urządzenie zostanie włączone należy usunąć narzędzia nastawcze lub klucze. Narzędzie lub klucz, które znajdują się w ruchomych częściach urządzenia mogą doprowadzić do obrażeń ciała.
- e) Nie należy przeceniać swoich możliwości. Należy dbać o bezpieczną pozycję pracy i zawsze utrzymywać równowagę. Przez to możliwa jest lepsza kontrola urządzenia w nieprzewidywanych sytuacjach.
- f) Należy nosić odpowiednie ubranie. Nie należy nosić luźnego ubrania lub biżuterii. Włosy, ubranie i rękawice należy trzymać z daleka od ruchomych elementów. Luźne ubranie, biżuteria lub długie włosy mogą zostać pociągnięte przez poruszające się części.
- g) W przypadku, kiedy możliwe jest zamontowanie urządzeń odsysających lub podchwytyjących należy upewnić się, czy są one właściwie podłączone i prawidłowo użyte. Użycie tych urządzeń zmniejsza zagrożenie spowodowane pyłami.
- 4) **UWAŻNE OBCOWANIE ORAZ UŻYCIE ELEKTRONARZĘDZIA**
- a) Nie należy przeciążać urządzenia. Do pracy używać należy elektronarzędzia, które jest do tego przewidziane. Odpowiednim narzędziem pracuje się lepiej i bezpieczniej w podanym zakresie sprawności.
- b) Nie należy używać elektronarzędzia, którego włącznik/wyłącznik jest uszkodzony. Elektronarzędzie, którego nie można włączyć lub wyłączyć jest niebezpieczne i musi zostać naprawione.
- c) Przed rozpoczęciem urządzenia, wymiany osprzętu lub odłożeniem narzędzia należy wyciągnąć wtyczkę z gniazda. Ten środek ostrożności zapobiega niezamierzonemu włączeniu się urządzenia.
- d) Nie używane elektronarzędzia należy przechowywać poza zasięgiem dzieci. Nie należy udostępniać narzędzia osobom, które jego nie umieją lub nie przeczytały tych przepisów. Używane przez niedoświadczonych osoby elektronarzędzia są niebezpieczne.
- e) Urządzenie należy starannie konserwować. Należy kontrolować, czy ruchome części urządzenia funkcjonują bez zarzutu i nie są zablokowane, czy części nie są pęknięte lub uszkodzone, co mogłoby mieć wpływ na prawidłowe funkcjonowanie urządzenia. Uszkodzone narzędzie należy przed użyciem urządzenia oddać do naprawy. Wiele wypadków spowodowanych jest przez niewłaściwą konserwację elektronarzędzi.
- f) Osprzęt tnący należy utrzymywać ostry i czysty. Starannie pielęgnowany osprzęt tnący z ostrymi krawędziami tnącymi blokuje się rzadziej i łatwiej się używa.
- g) Elektronarzędzia, osprzęt, narzędzia itd. należy używać odpowiednio do tych przepisów i tak, jak jest to przewidziane dla tego specjalnego typu urządzenia. Uwzględnić należy przy tym warunki pracy i czynność do wykonania. Użycie elektronarzędzi do innych niż przewidziane prace może doprowadzić do niebezpiecznych sytuacji.
- 5) **SERWIS**
- a) Naprawę urządzenia należy zlecić jedynie kwalifikowanemu fachowcowi i przy użyciu oryginalnych części zamiennych. To gwarantuje, że bezpieczeństwo użytkowania zostanie zachowane.

PRZEPISY BEZPIECZEŃSTWA DO SZLIFIERKI KĄTOWEJ

OGÓLNE

- Narzędzia należy używać wyłącznie do szlifowania/cięcia na sucho
- Należy stosować wyłącznie konierze dostarczone wraz z narzędziem
- Narzędzie nie powinno być używane przez osoby w wieku poniżej 16 lat
- Przed przystąpieniem do wykonywania jakichkolwiek czynności obsługowych przy maszynie, w czasie przerw w pracy jak również po jej zakończeniu wyjąć wtyk z gniazda sieciowego

AKCESORIA

- Należy używać wyłącznie oryginalnych akcesoriów firmy SKIL, dostępnych u dystrybutora produktów SKIL
- Montując/używając akcesoriów innych producentów, należy przestrzegać instrukcji określonych przez danego producenta
- Używać tylko akcesoriów, których dopuszczalna prędkość obrotowa jest co najmniej tak wysoka jak najwyższa prędkość obrotowa urządzenia na biegu bez obciążenia
- Nie należy stosować tarczy szlifierskich/tnących, które są uszkodzone, zniekształcone lub niewłaściwie osadzone
- Tarczami szlifierskimi/tnącymi należy posługiwać się i przechowywać je w taki sposób, aby nie spowodować ich wyszczerbienia lub pęknięcia
- Akcesoria należy chronić przed uderzeniami, wstrząsami i smarem

- Nie należy stosować tarcz szlifierskich/tnących, które są większe od maksymalnego zalecanego rozmiaru
- Należy stosować tylko takie tarcze, które mają średnicę otworu pasującą do kołnierza mocującego G ④ bez luzu; nigdy nie należy stosować pierścieni redukcyjnych ani pośrednich, aby zamocować tarcze z większymi otworami
- Nigdy nie należy stosować tarczy z otworem gwintowanym, w którym gwint nie jest dostatecznie długi aby wkręcić wrzeciono narzędzia
- Nigdy nie należy stosować akcesoriów ze "ślepyimi" gwintowanymi otworami mniejszymi niż M14 x 21 mm

STOSOWANIE NA DWORZE

- Połączyć narzędzie za pośrednictwem wyłącznika prądu zakłóceniewego (FI) wyzwalanego prądem o natężeniu co najmniej 30 mA
- Stosować wyłącznie przedłużacze przystosowane do użycia na dworze, wyposażone w wodoszczelne gniazdo sprzęgające

PRZED UŻYCIEM

- Przed pierwszym użyciem narzędzia zalecane jest zasięgnięcie informacji praktycznych
- **Nie należy obrabiać materiału zawierającego azbest** (azbest jest rakotwórczy)
- **W przypadku, gdy podczas pracy elektronarzędzia powstają szkodliwe dla zdrowia, łatwopalne lub wybuchowe pyły, należy zastosować odpowiednie środki ochronne** (na przykład niektóre pyły są rakotwórcze); zaleca się używanie maski przeciwpylowej, a po zakończeniu pracy odsysanie pyłu i wirów
- Należy uważać na ukryte przewody elektryczne oraz rury gazowe i wodne; należy sprawdzić obszar roboczy, np. przy użyciu wykrywacza metalu
- Należy uważać podczas wycinania rowków, szczególnie w ścianach nośnych (otwory w ścianach nośnych podlegają specjalnym przepisom odpowiednim dla danego kraju; należy ich bezwzględnie przestrzegać)
- Obrabiany element należy unieruchomić, jeśli nie jest dostatecznie ciężki, aby jego ciężar własny nie powodował przesuwania podczas pracy
- Nie należy zaciskać narzędzia w imadle
- Należy stosować przedłużacze w całości rozwinięte i zabezpieczone, o dopuszczalnym natężeniu prądu równym 16 A
- Należy stosować okulary i rękawice ochronne, ochraniające sucho ③ oraz solidne obuwie; jeśli jest to konieczne, należy również założyć fartuch ochronny
- Zawsze należy zamontować uchwyt pomocniczy E ⑤ i osłonę F ④; nie należy używać narzędzia bez tych elementów
- Przed podłączeniem do prądu należy się upewnić, że narzędzie jest wyłączone

PODCZAS UŻYWANIA

- Przewód zżywy należy trzymać z dala od ruchomych elementów narzędzia, kierując go do tyłu, w kierunku od urządzenia
- Jeśli przewód podczas pracy ulegnie uszkodzeniu lub przecięciu, nie należy go dotykać, ale natychmiast odłączyć wtyczkę; nigdy nie należy używać narzędzia z uszkodzonym przewodem

- Przycisk blokady wrzeciona D ④ należy wciskać tylko gdy wrzeciono A ④ jest w spoczynku
- Ręce należy trzymać z dala od obracających się elementów
- Podczas szlifowania metalu wytwarzają się iskry; w obszarze roboczym nie powinny znajdować się osoby postronne ani materiały łatwopalne
- W przypadku wadliwego działania mechanicznych lub elektrycznych części urządzenia, należy bezzwocznie wyłączyć narzędzie i wyjąć wtyczkę
- W przypadku zablokowania tarczy tnącej, czego efektem jest szarpanie podczas pracy, należy natychmiast wyłączyć narzędzie
- W przypadku przerwy w zasilaniu na przykład na skutek nieumyślnego wyciągnięcia wtyczki, należy niezwłocznie odblokować włącznik blokady H ④ i przełączyć go w pozycję OFF (wyłączone), aby uniknąć nieoczekiwanego uruchomienia narzędzia
- Nie należy naciskać na przyrząd z siłą powodującą unieruchomienie narzędzia

PO UŻYCIU

- Przed odłożeniem narzędzia należy wyłączyć silnik i upewnić się, że wszystkie ruchome elementy zostały całkowicie zatrzymane
- Po wyłączeniu narzędzia nigdy nie należy zatrzymywać wirujących elementów działając na nie z bocznie przyłożoną siłą

ELEMENTY NARZĘDZIA ④

- A Wrzeciono
- B Kołnierz zaciskowy
- C Klucz
- D Przycisk blokady wrzeciona
- E Uchwyt pomocniczy
- F Osłona ochronna
- G Kołnierz mocujący
- H Włącznik/wyłącznik blokujący

UŻYTCIE

- Montowanie akcesoriów ④
 - ! **wyjąć wtyczkę**
 - oczyścić wrzeciono A i wszystkie elementy, które mają zostać zamontowane
 - dokręcić kołnierz zaciskowy B przy pomocy klucza C, wciskając przycisk blokady wrzeciona D
 - aby zdemontować element, należy postępować w odwrotnej kolejności
- ! **tarcze szlifierskie/tnące podczas pracy bardzo się rozgrzewają; nie należy ich dotykać przed ostygnięciem**
- ! **podczas użycia akcesoriów do piaskowania, zawsze należy stosować podkładkę**
- ! **nigdy nie należy stosować tarczy szlifierskiej/tnącej, która jest nieoznakowana; etykieta jest naklejona na tarczę**
- Uchwyt pomocniczy ⑤
 - ! **wyjąć wtyczkę**
 - przykręcić uchwyt pomocniczy E po lewej lub prawej stronie narzędzia (w zależności od pracy, która ma być wykonywana)

- Osłona
 - ! **wyjąć wtyczkę**
 - poluzować osłonę F odkręcając wkręt
 - umieścić osłonę F na konierzu wrzeciona gowicy narzędzia i obrócić aż znajdzie się w odpowiednim położeniu (w zależności od pracy, która ma być wykonywana)
 - zabezpieczyć osłonę F dokręcając wkręt
 - ! **upewnić się, że osłona jest zawsze założona zamkniętą stroną w kierunku operatora narzędzia**
- Przed przystąpieniem do pracy
 - sprawdzić prawidłowość zamocowania narzędzia roboczego
 - skontrolować bieg tarczy wymuszając ruch ręką
 - uruchomić próbnie elektronarzędzie w biegu luzem w ciągu przynajmniej 30 sekund z maksymalną prędkością obrotową
 - w przypadku stwierdzenia wibracji lub innej nieprawidłowości elektronarzędzie natychmiast wyłączyć i usunąć przyczynę
- Włącznik/wyłącznik z blokadą H ⑥
 - uruchomić elektronarzędzie ⑥a
 - ! **uwaga na szarpnięcie w momencie uruchomienia**
 - ! **tarczę zbliżyć do obrabianego przedmiotu dopiero po osiągnięciu przez elektronarzędzie pełnej prędkości obrotowej**
 - zablokować włącznik/wyłącznik ⑥b
 - odblokować włącznik/wyłączyć elektronarzędzia ⑥c
 - ! **przed wyłączeniem elektronarzędzia wyprowadzić narzędzie robocze z obrabianego przedmiotu**
 - ! **po wyłączeniu elektronarzędzia tarcza obraca się jeszcze kilka sekund**
- Rozruch elektroniczny

Zapewnia osiągnięcie maksymalnej prędkości obrotowej bez szarpnięcia podczas rozruchu elektronarzędzia
- Elektroniczna regulacja prędkości obrotowej

Utrzymuje prędkość obrotową na stałym poziomie przy zmiennym obciążeniu
- Szlifowanie ⑦
 - należy przesunąć narzędzie do tyłu i do przodu naciskając z umiarkowaną siłą
 - ! **do szlifowania bocznego nigdy nie należy używać tarcz tnących**
- Cięcie ⑧
 - przy cięciu nie należy przechylać narzędzia
 - zawsze należy przesunąć narzędzie w kierunku wskazywanym przez strzałkę na głowicy, aby uniknąć niekontrolowanego wyjścia przyrządu z wycinanej szczeliny
 - nie należy naciskać na narzędzie; powinna wystarczyć prędkość obrotowa tarczy
 - robocza prędkość tarczy tnącej zależy od materiału, który ma być cięty
 - nie należy wyhamowywać tarczy tnących działając na nie z bocznią siłą
- Trzymanie i prowadzenie narzędzia
 - zawsze należy mocno trzymać przyrząd obiema rękami, aby prowadzić je w sposób kontrolowany przez cały czas
 - należy zachować bezpieczną postawę

- należy zwracać uwagę na kierunek obrotów; zawsze tak trzymać narzędzie, aby iskry i pył pochodzące od szlifowania/cięcia leciały w kierunku od zamiast w stronę operatora
- szczeliny wentylacyjne powinny być czyste i odkryte

WSKAZÓWKI UŻYTKOWANIA

- Zamiast konierza B ④ można zastosować szybko mocujący konierz typu "CLIC" J ④ (element 2610388766 firmy SKIL); tarcze szlifierskie/tnące można wówczas mocować bez konieczności użycia dodatkowych kluczy

GWARANCJA / ŚRODOWISKO

- Zawsze dbać o czystość narzędzia i przewodu zasilającego (a szczególnie otworów wentylacyjnych)
 - ! **nie czyszczyć elektronarzędzia wkładając ostre przedmioty w szczeliny wentylacyjne**
 - ! **przed przystąpieniem do czyszczenia należy wyjąć wtyk z gniazda sieciowego**
- Niniejszy wyrób marki SKIL podlega ustawowej gwarancji/zgodnie z przepisami krajowymi; uszkodzenia wynikłe wskutek normalnego zużycia, przeciążenia lub nieprawidłowej obsługi nie są objęte gwarancją
- W razie reklamacji, prosimy o przysłanie nierozmontowanego urządzenia wraz z dowodem zakupu do dostawcy lub najbliższego serwisu firmy SKIL (adresy oraz diagram serwisowy urządzenia znajdują się na stronach www.skileurope.com)
- Nie wyrzucaj elektronarzędzi, akcesoriów i opakowania wraz z odpadami z gospodarstwa domowego (dotyczy tylko państw UE)
 - zgodnie z Europejską Dyrektywą 2002/96/WE w sprawie zużytego sprzętu elektrotechnicznego i elektronicznego oraz dostosowaniem jej do prawa krajowego, zużyte elektronarzędzia należy posegregować i zutylizować w sposób przyjazny dla środowiska
 - w przypadku potrzeby pozbycia się narzędzia, akcesoriów i opakowania - symbol ⑨ przypomni Ci o tym

RU

Углошлифовальная машина 9295 ВВЕДЕНИЕ

- Инструмент предназначен для шлифования, резки и зачистки металлов и каменных материалов без использования воды; при применении соответствующих насадок данный инструмент может использоваться также для щеточной и абразивной обработки
- Прочитайте и сохраните это руководство по использованию ②

ТЕХНИЧЕСКИЕ ДАННЫЕ ①

БЕЗОПАСНОСТЬ

ОСНОВНЫЕ ИНСТРУКЦИИ ПО ТЕХНИКЕ БЕЗОПАСНОСТИ

ВНИМАНИЕ! Полностью прочтите инструкции. Несоблюдение приведенных ниже инструкций может повлечь за собой поражение электрическим током, возникновение пожара и/или нанесение тяжелых травм. Термин "электроинструмент", используемый в инструкции, обозначает электрический инструмент с питанием от электрической сети (с кабелем питания).

1) РАБОЧЕЕ МЕСТО

- а) **Соблюдайте чистоту и поддерживайте надлежащую освещенность на рабочем месте.** Беспорядок на рабочем месте и его плохое освещение могут привести к несчастным случаям.
- б) **Не используйте с электроинструментом во взрывоопасной среде, т.е. в непосредственной близости от легковоспламеняющихся жидкостей, газов или пыли.** В процессе работы электроинструмент искрит и искры могут воспламенить газы или пыль.
- в) **При работе с электроинструментом не допускайте детей или посторонних на Ваше рабочее место.** Отвлечение Вашего внимания может привести к потере контроля над работой инструмента.

2) ЭЛЕКТРИЧЕСКАЯ БЕЗОПАСНОСТЬ

- а) **Штепсельная вилка кабеля питания электроинструмента должна соответствовать розетке электросети. Не вносите никаких изменений в конструкцию вилки. Не используйте штекерные адаптеры для электроинструмента с защитным заземлением.** Заводские штепсельные вилки и соответствующие им сетевые розетки существенно снижают вероятность электрошока.
- б) **Избегайте механических контактов с такими заземленными поверхностями, как трубопроводы, системы отопления, плиты и холодильники.** При контакте человека с заземленными предметами во время работы инструментом вероятность электрошока существенно возрастает.
- в) **Оберегайте электроинструмент от воздействия дождя и влаги.** Попадание воды в электроинструмент повышает вероятность электрического удара.
- г) **Используйте кабель строго по назначению. Не допускается тянуть и передвигать электроинструмент за кабель или использовать кабель для вытягивания вилки из розетки. Оберегайте кабель инструмента от воздействия высоких температур, масла, острых кромок или движущихся частей электроинструмента.** Поврежденный или спутанный кабель повышает возможность электрического удара.
- д) **При работе на улице используйте удлинитель, предназначенный для работы вне помещения.** Использование такого удлинителя снижает вероятность электрического удара.

3) ЛИЧНАЯ БЕЗОПАСНОСТЬ

- а) **Будьте внимательны, следите за тем, что Вы делаете и выполняйте работу обдуманно. Не пользуйтесь электроинструментом, если Вы устали или находитесь под воздействием транквилизаторов, алкоголя или медицинских препаратов.** Секундная потеря концентрации в работе с электроинструментом может привести к серьезным травмам.
 - б) **Используйте средства индивидуальной защиты. Защитные очки обязательны.** Средства индивидуальной защиты, такие как пылезаститный респиратор, нескользящая защитная обувь, шлем-каска, средства защиты органов слуха применяются в соответствующих условиях работы обстоятельствах и минимизируют возможность получения травм.
 - в) **Избегайте случайного включения электроинструмента. Перед тем, как вставить вилку в розетку, убедитесь, что выключатель находится в положении "выкл".** Если при подключении инструмента к электропитанию кнопка "вкл./выкл." уже нажата, это может привести к несчастному случаю.
 - г) **Во избежание травм перед включением инструмента удалите регулировочный или гаечный ключ из вращающейся части инструмента.**
 - д) **Не переоценивайте свои возможности. Твердо стойте на ногах и удерживайте равновесие.** В таком положении вы сможете лучше контролировать инструмент в неожиданных ситуациях.
 - е) **Используйте подходящую рабочую одежду. Не надевайте свободную одежду и украшения. Волосы, одежда и перчатки должны находиться подальше от движущихся частей электроинструмента.** Свободная одежда, украшения или длинные волосы легко могут попасть в движущиеся части электроинструмента.
 - ж) **При наличии пылеотсасывающих и пылесборных приспособлений убедитесь в том, что они подсоединены и используются надлежащим образом.** Их применение снижает опасность воздействия пыли.
- ### 4) ЭКСПЛУАТАЦИЯ И УХОД ЗА ЭЛЕКТРОИНСТРУМЕНТОМ
- а) **Не перегружайте инструмент. Используйте тот инструмент, который предназначен для данной работы.** С ним Вы выполните работу быстрее и надежнее, используя весь диапазон его возможностей.
 - б) **Не используйте инструмент с неисправным выключателем.** Инструмент с неисправным выключателем опасен и подлежит ремонту.
 - в) **Выньте вилку из сетевой розетки перед тем, как приступить к настройке инструмента, замене принадлежностей или его упаковке.** Данная мера предосторожности предотвращает случайное включение инструмента.

- г) **Храните неиспользуемый электроинструмент в недоступном для детей месте и не позволяйте использовать его лицам, не умеющим с ним обращаться или не ознакомленным с инструкцией по эксплуатации.**

Электроинструменты представляют собой опасность в руках неопытных пользователей.

- д) **Электроинструмент требует надлежащего ухода. Проверьте безупречность функционирования подвижных частей, лёгкость их хода, целостность всех частей и отсутствие повреждений, которые могут негативно сказаться на работе инструмента. При обнаружении повреждений сдайте инструмент в ремонт.** Большое число несчастных случаев связано с неудовлетворительным уходом за электроинструментом.

- е) **Режущие части инструмента необходимо поддерживать в заточенном и чистом состоянии.** При надлежащем уходе за режущими принадлежностями с острыми кромками они реже заклиниваются и инструмент лучше поддаётся контролю.

- ж) **Используйте электроинструмент, принадлежности, биты и т.д. в соответствии с данными инструкциями и так, как это предписано для каждого конкретного инструмента, исходя из особенностей условий и характера выполняемой работы.** Использование электроинструмента не по назначению может привести к опасным последствиям.

5) СЕРВИСНОЕ ОБСЛУЖИВАНИЕ

- а) **Передавайте инструмент на сервисное обслуживание только квалифицированному персоналу, использующему только подлинные запасные части.** Это обеспечит сохранение безопасности электроинструмента.

УКАЗАНИЯ ПО БЕЗОПАСНОСТИ ДИЯ РАБОТЫ С УГЛОШЛИФОВАЛЬНОЙ МАШИНОЙ

ОБЩЕЕ

- Используйте данный инструмент только для сухого шлифования/резки
- Используйте только фланцы, поставляемые с инструментом
- Этим инструментом не должны пользоваться лица моложе 16-ти лет
- Перед регулировкой или сменой принадлежностей обязательно выньте вилку из сетевой розетки**

НАСАДКИ

- Используйте оригинальные насадки SKIL, которые можно получить у Вашего дилера фирмы SKIL
- При установке/использовании насадок не от фирмы SKIL, соблюдайте инструкции соответствующего завода-изготовителя
- Использовать только принадлежности, предельно допустимая скорость вращения которых не меньше, чем максимальная скорость вращения прибора на холостом ходу

- Не используйте поврежденные, деформированные или вибрирующие шлифовальные/отрезные круги
- Обращайтесь и храните шлифовальные/отрезные круги осторожно во избежание появления на них трещин и раскалывания
- Предохраняйте насадки от воздействия ударных нагрузок и попадания на них смазки
- Не используйте шлифовальные/отрезные круги больше максимально рекомендуемого размера
- Используйте только шлифовальные/отрезные круги с отверстием, соответствующим установочному фланцу G (4); не допускается применение каких-либо переходников для установки шлифовальных/отрезных кругов с отверстиями большего диаметра
- Не допускается применение шлифовальных/отрезных кругов с резьбовым отверстием, если глубина резьбы отверстия не позволяет вернуть шпиндель инструмента на всю длину
- Запрещается применение насадок с "глухим" отверстием меньше, чем M14 x 21 мм

ИСПОЛЬЗОВАНИЕ ВНЕ ПОМЕЩЕНИЯ

- Подсоедините инструмент через прерыватель напряжения в случае короткого замыкания (FI) с максимальным пусковым током 30 мА
- Используйте только удлинительные шнуры, предназначенные для внешних работ и снабженные брызгозащитными розетками

ПЕРЕД ИСПОЛЬЗОВАНИЕМ

- Перед использованием инструмента в первый раз рекомендуется получить практическую информацию
- Не обрабатывайте материалы с содержанием асбеста** (асбест считается канцерогеном)
- Примите меры защиты, если во время работы возможно возникновение вредной для здоровья, горючей или взрывоопасной пыли** (некоторые виды пыли считаются канцерогенными); пользуйтесь противопылевым респиратором и применяйте отсос пыли/стружки при наличии возможности присоединения
- Проверьте рабочую зону на предмет отсутствия скрытой электрической проводки либо газопроводных труб; например применив металлодетектор
- Будьте особенно осторожны при прорезывании проемов в несущих стенах (проемы в несущих стенах регламентируются законодательством каждой отдельной страны; эти правила следует соблюдать в любом случае)
- Зажмите заготовку, если ее веса недостаточно для устойчивости
- Не зажимайте инструмент в тисках
- Используйте полностью раскрученные и безопасные удлинительные шнуры на 16 А
- Одевайте защитные очки и перчатки, средства защиты волос (3) и прочную обувь; а при необходимости - фартук
- Всегда устанавливайте боковую ручку E (5) и защитный кожух F (4); никогда не используйте инструмент без них

- Убедитесь в том, что инструмент выключен перед подключением его к розетке
- ВО ВРЕМЯ ИСПОЛЬЗОВАНИЯ**
- Всегда держите провод подальше от движущихся частей инструмента; направляйте провод назад в сторону от инструмента
 - В случае повреждения, либо обрыва провода не прикасайтесь к нему, а немедленно выньте вилку из розетки; никогда не используйте инструмент с поврежденным проводом
 - Нажимайте кнопку блокировки шпинделя D ④
 - Только после полной остановки шпинделя A ④
 - Держите руки в стороне от вращающихся насадок
 - При шлифовании металла образуются искры; не допускайте нахождения в рабочей зоне других людей и горючих материалов
 - При обнаружении электрической или механической неисправности немедленно выключите инструмент и выньте вилку из розетки
 - В случае заклинивания круга, которое вызывает резкие рычки инструмента, немедленно выключите инструмент
 - В случае прекращения электроснабжения, либо при случайном выпадении вилки из розетки, поставьте выключатель H ④ в положение "Выкл" (OFF) для предотвращения неожиданного включения
 - Не прилагайте на инструмент чрезмерного усилия, которое может вызвать его заклинивание

ПОСЛЕ ИСПОЛЬЗОВАНИЯ

- Перед тем как опустить инструмент, выключите двигатель и убедитесь, что все его движущиеся части полностью остановились
- После выключения инструмента никогда не пытайтесь остановить вращение насадок приложением поперечной силы

ДЕТАЛИ ИНСТРУМЕНТА ④

- A Шпиндель
- B Зажимной фланец
- C Гаечным ключ
- D Кнопка блокировки шпинделя
- E Боковую ручку
- F Защитный кожух
- G Установочному фланец
- H Включение/отключение блокировочного переключателя

ИСПОЛЬЗОВАНИЕ

- Установка насадок ④
- ! **выньте вилку из розетки**
- очистите шпиндель A и все устанавливаемые детали
- затяните зажимной фланец B гаечным ключом C при нажатой кнопке блокировки шпинделя D
- снятие насадок производится в обратном порядке
- ! **во время работы шлифовальные/отрезные круги сильно разогреваются; не прикасайтесь к ним до их охлаждения**

- ! **при использовании абразивных насадок всегда устанавливайте уплотнительные прокладки**
- ! **никогда не используйте шлифовальный/отрезной круг без приклеенной отрывной этикетки**
- Боковая ручка ⑤
- ! **выньте вилку из розетки**
- вкрутите боковую ручку E с левой или с правой стороны инструмента (в зависимости от выполняемой работы)
- Защитный кожух
- ! **выньте вилку из розетки**
- откройте защитный кожух F ослабив винт
- поместите защитный кожух F на шпиндельную муфту головки инструмента и поверните его в требуемом направлении (в зависимости от выполняемой работы)
- закрепите защитный кожух F затянув винт
- ! **убедитесь в том, что закрытая часть защитного кожуха находится со стороны оператора**
- Перед использованием инструмента
- убедитесь, что режущая насадка правильно установлена и надежно закреплена
- проверьте плавность вращения режущей насадки, вращая ее рукой
- опробуйте работу инструмента в течение не менее 30 секунд на максимальной скорости без нагрузки в безопасном положении
- в случае значительной вибрации или других дефектов немедленно остановите инструмент и проверьте его для определения причины дефекта
- Включение/отключение блокировочного переключателя H ⑥
- включите инструмент ⑥a
- ! **остерегайтесь внезапного удара при включении инструмента**
- ! **до контакта с обрабатываемыми поверхностями скорость вращения устройства должна быть доведена до максимальной**
- заблокируйте переключатель ⑥b
- разблокируйте переключатель/отключите инструмент ⑥c
- ! **перед отключением инструмента необходимо вывести инструмент из обрабатываемой поверхности**
- ! **режущая насадка продолжает вращаться некоторое время после отключения инструмента**
- Электронный программированный старт Обеспечивает плавное достижение максимальной скорости без резких толчков при включении инструмента
- Электронная поддержка постоянной скорости Удерживает скорость на постоянном уровне при увеличении нагрузки
- Шлифование ⑦
- передвигайте инструмент вперед и назад с умеренным нажимом
- ! **никогда не используйте отрезной круг для бокового шлифования**

- Реска ⑧
 - не наклоняйте инструмент при резкаю
 - для предотвращения выталкивания инструмента из участка резки двигайте инструмент только в направлении, указанном стрелкой на головке инструмента
 - не прилагайте усилий на инструмент, так как скорости вращения режущего круга достаточно для выполнения работы
 - рабочая скорость отрезного круга зависит от обрабатываемого материала
 - не останавливайте отрезной круг приложением бокового усилия
- Удержание и направление инструмента
 - для обеспечения контроля над инструментом всегда держите его крепко, обеими руками
 - выберите безопасное положение для работы
 - обращайтесь внимание на направление вращения; всегда держите инструмент так, чтобы искры и пыль шлифования/резки направлялись в сторону от тела
 - содержите вентиляционные отверстия чистыми и не закрытыми

СОВЕТЫ ПО ИСПОЛЬЗОВАНИЮ

- Вместо фланца В ④ может использоваться быстрозажимной фланец J ④ "CLIC" (насадка фирмы SKIL 10388766); шлифовальные/отрезные круги в этом случае могут устанавливаться без использования специальных ключей

ГАРАНТИЯ / ОХРАНА СРЕДЫ

- Всегда содержите инструмент и его шнур в чистоте (особенно вентиляционные отверстия)
 - ! не пытайтесь производить чистку путем введения через эти вентиляционные отверстия острых предметов
 - ! перед чисткой инструмента нужно разъединить штепсельный разъём
- Это изделие SKIL имеет гарантию в соответствии с установленными правилами; повреждение вследствие нормального использования, перегрузки или неверного обращения не включены в гарантию
- При неисправности отошлите инструмент в неразобранном виде вместе с доказательством покупки дилеру или в ближайший отдел обслуживания SKIL (адреса и схема обслуживания инструмента приводятся в www.skileurope.com)
- Не выкидывайте электроинструмент, принадлежности и упаковку вместе с бытовым мусором (только для стран ЕС)
 - во исполнение европейской директивы 2002/96/EC об утилизации отслужившего свой срок электрического и электронного оборудования и в соответствии с действующим законодательством, утилизация электроинструментов производится отдельно от других отходов на предприятиях, соответствующих условиям экологической безопасности

- значок ⑨ напомним Вам об этом, когда появится необходимость сдать электроинструмент на утилизацию

UA

Кутова шліфувальна машина 9295

ВСТУП

- Інструмент призначений для шліфування, різки і зачистки металів та кам'яних матеріалів без використання води; при використанні відповідних насадок цей інструмент може використовуватись для щіткової та абразивної обробки
- Прочитайте дану інструкцію та зберігайте її в надійному місці ②

ТЕХНІЧНІ ДАНІ ①

БЕЗПЕКА

ЗАГАЛЬНІ ВКАЗІВКИ З ТЕХНІКИ БЕЗПЕКИ

УВАГА! Прочитайте всі вказівки. Недодержання нижчеподаних вказівок може призводити до удару електричним струмом, пожежі та/або серйозних травм. Під поняттям 'електроприлад' мається на увазі електроприлад, що працює від мережі (з електрокабелем).

1) РОБОЧЕ МІСЦЕ

- Примайте своє робоче місце в чистоті та прибирайте його.** Безлад та погане освітлення на робочому місці можуть призводити до нещасних випадків.
- Не працюйте з приладом у середовищі, де існує небезпека вибуху внаслідок присутності горючих рідин, газів або пилу.** Електроприлади можуть породжувати іскри, від яких може займатися пил або пари.
- Під час працювання з приладом не підпускайте до робочого місця дітей та інших людей.** Ви можете втратити контроль над приладом, якщо Ваша увага буде відвернута.

2) ЕЛЕКТРИЧНА БЕЗПЕКА

- Штепсель приладу повинен пасувати до розетки. Не дозволяється що-небудь міняти в штепселі. Для роботи з приладами, що мають захисне заземлення, не використовуйте адаптери.** Використання оригінального штепселя та належної розетки зменшує ризик удару електричним струмом.
- Уникайте контакту частей тіла із заземленими поверхнями, як напр., трубами, батареями опалення, печами та холодильниками.** Коли Ваше тіло заземлене, існує збільшена небезпека удару електричним струмом.
- Захищайте прилад від дощу та вологи.** Попадання води в електроінструмент збільшує ризик удару електричним струмом.

- d) **Не використовуйте кабель для перенесення приладу, підвішування або витягування штепселя з розетки. Захищайте кабель від жару, олії, гострих країв та деталей приладу, що рухаються.** Пошкоджений або закручений кабель збільшує ризик удару електричним струмом.
- e) **Для зовнішніх робіт обов'язково використовуйте лише такий подовжувач, що допущений для зовнішніх робіт.** Використання подовжувача, що розрахований на зовнішні роботи, зменшує ризик удару електричним струмом.

3) БЕЗПЕКА ЛЮДЕЙ

- a) **Будьте уважними, слідкуйте за тим, що Ви робите, та розсудливо поведіться під час роботи з електроприладом. Не користуйтеся приладом, якщо Ви стомлені або знаходитесь під дією наркотиків, спиртних напоїв або лік.** Мить неувважності при користуванні приладом може призводити до серйозних травм.
- b) **Вдягайте особисте захисне спорядження та обов'язково вдягайте захисні окуляри.** Вдягання особистого захисного спорядження, як напр., - в залежності від виду робіт - захисної маски, спецвзуття, що не ковзається, каски або навушників, зменшує ризик травм.
- c) **Запобігайте ненавмисному вмиканню приладу. Перед тим, як вставляти штепсель у розетку, переконайтеся, що вимикач знаходиться в положенні 'вимкнуто'.** Тримання пальця на вимикачі під час перенесення приладу або встромлення в розетку увімкненого приладу може призводити до травм.
- d) **Перед тим, як вмикати прилад, приберіть налагоджувальні інструменти та гайковий ключ.** Знаходження налагоджувального інструмента або ключа в деталі, що обертається, може призводити до травм.
- e) **Не переоцінюйте себе. Зберігайте стійке положення та завжди зберігайте рівновагу.** Це дозволить Вам краще зберігати контроль над приладом у несподіваних ситуаціях.
- f) **Вдягайте придатний одяг. Не вдягайте просторий одяг та прикраси. Не підставляйте волосся, одяг та рукавиці близько до деталей приладу, що рухаються.** Просторий одяга, прикраси та довге волосся можуть попадати в деталі, що рухаються.
- g) **Якщо існує можливість монтувати пиловідсмоктувальні або пилоуловлювальні пристрої, переконайтеся, щоб вони були добре під'єднані та правильно використовувалися.** Використання таких пристроїв зменшує небезпеку, що зумовлена пилом.

4) ПРАВИЛЬНЕ ПОВЕДІННЯ ТА КОРИСТУВАННЯ ЕЛЕКТРОПРИЛАДАМИ

- a) **Не перевантажуйте прилад. Використовуйте такий прилад, що спеціально призначений для певної роботи.** З придатним приладом Ви з меншим ризиком отримаєте кращі результати роботи, якщо будете працювати в зазначеному діапазоні потужності.

- b) **Не користуйтеся приладом з пошкодженим вимикачем.** Прилад, який не можна увімкнути або вимкнути, є небезпечним і його треба відремонтувати.
- c) **Перед тим, як регулювати що-небудь на приладі, міняти приладдя або ховати прилад, витягніть штепсель із розетки.** Ці попереджувальні заходи з техніки безпеки зменшують ризик ненавмисного запуску приладу.
- d) **Зберігайте електроприлади, якими Ви саме не користуєтесь, далеко від дітей. Не дозволяйте користуватися електроприладом особам, що не знайомі з його роботою або не читали ці вказівки.** У разі застосування недосвідченими особами прилади несуть в собі небезпеку.
- e) **Старанно доглядайте за приладом. Перевірте, щоб рухомі деталі приладу бездоганно працювали та не заїдали, не були поламаними або настільки пошкодженими, щоб це могло вплинути на функціонування приладу. Пошкоджені деталі треба відремонтувати в авторизованій майстерні, перш ніж ними знову користуватися.** Велика кількість нещасних випадків спричиняється поганим доглядом за електроприладами.
- f) **Тримайте різальні інструменти добре нагостреними та в чистоті.** Старанно доглянуті різальні інструменти з гострим різальним краєм менше застряють та їх легше вести.
- g) **Використовуйте електроприлади, приладдя до них, робочі інструменти т.і. відповідно до цих вказівок так, як це передбачено для відповідного типу приладу. Беріть до уваги при цьому умови роботи та специфіку виконуваної роботи.** Використання електроприладів для робіт, для яких вони не передбачені, може призводити до небезпечних ситуацій.

5) СЕРВИС

- a) **Відавайте свій прилад на ремонт лише кваліфікованим фахівцям та лише з використанням оригінальних запчастин.** Це забезпечить безпечність приладу на довгий час.

ПРАВИЛА ТЕХНІКИ БЕЗПЕКИ ДЛЯ КУТОВИХ ШЛІФУВАЛЬНИХ МАШИН

ЗАГАЛЬНЕ

- Використовуйте даний інструмент тільки для сухої різки/шліфівки
- Використовуйте тільки ті фланці, що поставляються з інструментом
- Цим інструментом не повинні користуватися лица, молодші 16-ти років
- **Перед регулюванням або заміною приладдя обов'язково вийміть вилку із сітьової розетки**

НАСАДКИ

- Використовуйте оригінальні насадки SKIL, які можна отримати у Вашого дилера фірми SKIL
- При установці/використанні насадок не від фірми SKIL, дотримуйтесь інструкцій відповідного заводу-виробника

- Використовувати тільки те приладдя, гранично допустима швидкість обертання якого не менша, ніж максимальна швидкість обертання інструмента на холостому ході
- Не використовуйте пошкодженні, деформовані або вібруючі шліфувальні/відрізні круги
- Поводьтеся та зберігайте шліфувальні/відрізні круги обережно, щоб запобігти появу на них тріщин та розколів
- Охороняйте насадки від впливу ударних навантажень та попадання на них змазки
- Не використовуйте шліфувальні/відрізні круги більш максимального рекомендованого діаметра
- Використовуйте шліфувальні/відрізні круги з отвором, відповідним установочому фланцю G ④; не допускається використання яких-небудь перехідників для встановлення шліфувальних/відрізних кругів з отвором більшого діаметра
- Не допускається використання шліфувальних/відрізних кругів із різьбовим отвором, якщо глибина отвору не дозволяє ввернути шпindel на всю довжину
- Заборонено використання насадок з "глухим" отвором меншим, ніж M14 x 21 мм

ВИКОРИСТАННЯ ПОЗА ПРИМІЩЕННЯМ

- Під час роботи на вулиці, підключайте інструмент через запобіжник короткого замикання (FI) з максимальним пусковим струмом 30 mA
- Використовуйте подовжувач, призначений для зовнішніх робіт та обладнаний захищеною від бризг розеткою

ПЕРЕД ВИКОРИСТАННЯМ

- Перед використанням інструменту в перший раз радимо отримати практичну інформацію
- **Не обробляйте матеріали, що містять асбест** (асбест вважається канцерогенним)
- **Уживайте запобіжних заходів, якщо під час роботи можуть утворюватися шкідливі для здоров'я, горючі види пилу або такі, що можуть займатися** (деякі види пилу вважаються канцерогенними); вдягайте пилозахисну маску та користуйтеся пилососом для відсмоктування пилу/стружки, якщо його можна підключити
- Перевірте робочу зону на предмет відсутності скритої електричної проводки або газо-водопровідних труб; наприклад, застосувавши металодетектор
- Будьте особливо обережними при прорізання прорізів у несучих стінах (такі прорізання необхідні узгодити з архітектором або з інспектором по будівництву)
- Закріпіть деталь струбциною, якщо її власної ваги недостатньо для забезпечення непорушності
- Не затискайте інструмент у тисках
- Використовуйте повністю розкручені та безпечні подовжувальні шури на 16 A
- Одягайте захисні окуляри та рукавички, засоби захисту волосся ③ та міцне взуття; а при необхідності –фартух

- Завжди встановлюйте бокову ручку E ⑤ а захисний кожух F ④; ніколи не використовуйте інструмент без них

- Переконайтеся в, тому що інструмент вимкнено, перед тим як підключити його до розетки

ПІД ЧАС ВИКОРИСТАННЯ

- Завжди тримайте провід подалі від рухомих частин інструменту; направляйте провід назад у бік від інструменту
- У випадку пошкодження, або обриву проводу не торкайтесь до нього, а негайно вийміть вилку з розетки; ніколи не використовуйте інструмент із пошкодженим проводом
- Натискайте кнопку блокування шпинделя D ④ тільки після повної зупинки шпинделя C ④
- Тримайте руки осторонь від насадок, що обертаються
- При шліфуванні металу утворюються іскри; не допускайте перебування в робочій зоні інших людей та горючих матеріалів
- При виведенні електричної або механічної несправності негайно вимкніть інструмент та вийміть вилку з розетки
- У випадку якщо круг заклинить, що викликає різкі ривки інструмента, негайно вимкніть інструмент
- У випадку припинення електропостачання, або при випадковому випаданню вилки з розетки, поставте вимикач H ④ у положення "Викл" (OFF) для запобігання неочікуваного ввімкнення
- Не докладайте на інструмент надмірного зусилля, яке може викликати його заклинювання

ПІСЛЯ ВИКОРИСТАННЯ

- Перед тим як покласти інструмент, вимкніть двигун та переконайтеся, що всі його рухомі частини повністю зупинилися
- Після вимкнення інструмента ніколи не намагайтесь зупинити обертання насадок за допомогою прикладання поперечної сили

ЕЛЕМЕНТИ ІНСТРУМЕНТА ④

A Шпинделя

B Затискний фланець

C Гайковим ключ

D Кнопці блокування шпинделя

E Бокову ручку

F Захисний щиток

G Установочому фланець

H Увімкнення/вимкнення блокувального перемикача

ВИКОРИСТАННЯ

- Установлення насадок ④

! вийміть вилку з розетки

- відчистіть шпindel A та всі деталі, що будуть встановлені
- затягніть затискний фланець B гайковим ключем C при нажатій кнопки блокування шпинделя D
- зняття насадок проводиться у зворотному порядку

- ! під час роботи шліфувальні/відрізні круги сильно розігріваються; не доторкайтесь до них поки вони не остигнуть
- ! при використанні абразивних насадок завжди встановлюйте ущільнювальні прокладки
- ! ніколи не використовуйте шліфувальний/відрізний круг без маркування
- Додаткова ручка ⑤
 - ! вийміть вилку з розетки
 - пригвинтіть додаткову ручку E справа або зліва інструменту (залежно від роботи, яку треба виконати)
- Захисний щиток
 - ! вийміть вилку з розетки
 - відкрийте захисний щиток F, відкрутивши гвинт
 - помістіть захисний щиток F на фланець шпинделя головки інструменту та поверніть його у потрібне положення (залежно від роботи, яку треба виконати)
 - закріпіть захисний щиток F, затягнувши гвинт
 - ! переконайтесь в тому, що закрита сторона захисного щитка знаходиться з боку оператора
- Перед використанням інструмента
 - переконайтесь, що ріжуча насадка правильно та надійно встановлена
 - перевірте плавність обертання ріжучої насадки, обертаючи її рукою
 - випробуйте роботу інструмента на протязі не менше 30 секунд на максимальній швидкості без навантаження в безпечному положенні
 - у випадку значної вібрації або інших дефектів негайно зупиніть інструмент та перевірте його для виявлення причини дефекту
- Увімкнення/вимкнення блокувального перемикача H ⑥
 - увімкніть інструмент ⑥a
 - ! стежітьс'я раптового удару при включенні інструмента
 - ! до контакту з робочою поверхнею швидкість обертання приладдя повинна бути доведена до максимуму
 - заблокуйте вимикач ⑥b
 - розблокуйте вимикач/відключіть інструмент ⑥c
 - ! перед відключенням інструменту необхідно вивести його з поверхні, що обробляється
 - ! ріжуча насадка продовжує обертатись ще декілька секунд після відключення інструменту
- Електронний програмований старт

Забезпечує плавне досягнення максимальної швидкості без різких поштовхів при включенні інструменту
- Електронна підтримка постійної швидкості

Утримує швидкість на постійному рівні при збільшенні навантаження
- Шліфування ⑦
 - пересувайте інструмент вперед та назад із помірним навантаженням
 - ! ніколи не використовуйте відрізний круг для бічного шліфування

- Різка ⑧
 - не нахилийте інструмент при різці
 - для того, щоб попередити виштовхування інструменту з різальної ділянки, рухайте ним тільки в тому напрямі, що вказаний стрілкою на голівці інструменту
 - не прикладайте зусиль на інструмент, тому що швидкості обертання ріжучого круга достатньо для виконання роботи
 - робоча швидкість швидкість відрізного круга залежить від матеріалу поверхні, що обробляється
 - не зупиняйте відрізний круг за допомогою бічного зусилля
- Утримання та направлення інструменту
 - для забезпечення контролю над інструментом завжди тримайте його міцно, двома руками
 - оберіть безпечне положення для роботи
 - звертайте увагу на напрям обертання; завжди тримайте інструмент так, щоб іскри та пилюка шліфування/різки направлялись в бік від тіла
 - тримайте вентиляційні отвори чистими та незакритими

ПОРАДИ ПО ВИКОРИСТАННЮ

- Замість фланця E ④ може використовуватись швидкозастібний фланець J ④ "CLIC" (насадка фірми SKIL 2610388766); шліфувальні/відрізні круги в цьому випадку можуть встановлюватись без використання спеціальних ключей

ГАРАНТІЯ/ОХОРОНА НАВКОЛИШНЬОЇ СЕРЕДИ

- Завжди тримайте інструмент та його шнур у чистоті (особливо вентиляційні отвори)
 - ! не намагайтесь виконувати чистку шляхом уводу через ці вентиляційні отвори гострих предметів
 - ! перед чисткою інструменту необхідно роз'єднати штепсельний роз'єм
- Цей продукт SKIL гарантується у відповідності з обов'язковими/відповідно до конкретної країни, нормативно-правовими актами; пошкодження внаслідок нормального зношення, перевантаження або невідповідного поводження виключається з гарантії
- У випадку претензії, надішліть нерозібраний пристрій разом з доказом купівлі до Вашого дилера або до найближчого центру обслуговування SKIL (адреси, а також діаграма обслуговування пристрою, подаються на сайті www.skileurope.com)

- **Не викидайте електроінструмент, належності та упаковку разом зі звичайним сміттям (тільки для країн ЄС)**
 - відповідно до європейської директиви 2002/96/ЄС щодо утилізації старих електричних та електронних приладів, в залежності з місцевим законодавством, електроінструмент, який перебував в експлуатації повинен бути утилізований окремо, безпечним для навколишнього середовища шляхом
 - малюнок ④ нагадає вам про це

GR

Γωνιακός τροχός

9295

ΕΙΣΑΓΩΓΗ

- Αυτό το εργαλείο προορίζεται για το τρόχισμα, την κοπή και την αφαίρεση γρεζιών μετάλλου και πέτρας χωρίς τη χρήση νερού - με τα κατάλληλα εξαρτήματα, το εργαλείο μπορεί να χρησιμοποιηθεί επίσης για βούρτσισμα και λείανση
- Διαβάστε προσεκτικά και φυλάξτε αυτό το βιβλίο οδηγιών χρήσεως ②

ΤΕΧΝΙΚΑ ΧΑΡΑΚΤΗΡΙΣΤΙΚΑ ①

ΑΣΦΑΛΕΙΑ

ΓΕΝΙΚΕΣ ΥΠΟΔΕΙΞΕΙΣ ΑΣΦΑΛΕΙΑΣ

ΠΡΟΕΙΔΟΠΟΙΗΣΗ! Διαβάστε όλες τις υποδείξεις. Η μη τήρηση των παρακάτω υποδείξεων μπορεί να έχει σα συνέπεια ηλεκτροπληξία, κίνδυνο πυρκαϊάς ή/και σοβαρούς τραυματισμούς. Ο χαρακτηρισμός «ηλεκτρικό εργαλείο» που χρησιμοποιείται στις παρακάτω προειδοποιητικές υποδείξεις αφορά ή το φορητό (χειρισμός με το χέρι) ηλεκτρικό μηχάνημα σας (με ηλεκτρικό καλώδιο).

1) ΧΩΡΟΣ ΕΡΓΑΣΙΑΣ

- Διατηρείτε το χώρο που εργάζεστε καθαρό και καλά φωτισμένο.** Αταξία στο χώρο που εργάζεστε και μη φωτισμένες περιοχές εργασίας μπορεί να οδηγήσουν σε ατυχήματα.
- Μην εργάζεστε με το ηλεκτρικό εργαλείο σε περιβάλλον που υπάρχει κίνδυνος έκρηξης, στο οποίο υπάρχουν εύφλεκτα υγρά, αέρια ή σκόνη.** Τα ηλεκτρικά εργαλεία μπορεί να δημιουργήσουν σπινθηρισμό ο οποίος μπορεί να αναφλέξει τη σκόνη ή τις αναθυμιάσεις.
- Όταν χρησιμοποιείτε το ηλεκτρικό εργαλείο κρατάτε τα παιδιά κι άλλα τυχόν πρόσωπα μακριά από το χώρο που εργάζεστε.** Σε περίπτωση που άλλα άτομα αποσπάσουν την προσοχή σας μπορεί να χάσετε τον έλεγχο του μηχανήματος.

2) ΗΛΕΚΤΡΙΚΗ ΑΣΦΑΛΕΙΑ

- Το φως του καλωδίου του ηλεκτρικού εργαλείου πρέπει να ταιριάζει στην αντίστοιχη πρίζα. Δεν επιτρέπεται με κανένα τρόπο η μετασκευή του φως. Μη χρησιμοποιείτε προσαρμοστικά φως σε συνδυασμό με ηλεκτρικά εργαλεία συνδεδεμένα με τη γη (γειωμένα).** Αθικτα φως κατάλληλες πρίζες μειώνουν τον κίνδυνο ηλεκτροπληξίας.
 - Αποφεύγετε την επαφή του σώματος σας με γειωμένες επιφάνειες όπως σωλήνες, θερμαντικά σώματα (καλοριφέρ), κουζίνες και ψυγεία.** Όταν το σώμα σας είναι γειωμένο αυξάνεται ο κίνδυνος ηλεκτροπληξίας.
 - Μην εκθέτετε το ηλεκτρικό εργαλείο στη βροχή ή την υγρασία.** Η διείσδυση νερού στο ηλεκτρικό εργαλείο αυξάνει τον κίνδυνο ηλεκτροπληξίας.
 - Μη χρησιμοποιείτε το καλώδιο για να μεταφέρετε ή ν' αναρτήσετε το ηλεκτρικό εργαλείο ή για να βγάλετε το φως από την πρίζα. Κρατάτε το καλώδιο μακριά από υψηλές θερμοκρασίες, λάδια, κοφτερές ακμές ή κινούμενα εξαρτήματα.** Τυχόν χαλασμένα ή μπερδεμένα καλώδια αυξάνουν τον κίνδυνο ηλεκτροπληξίας.
 - Όταν εργάζεστε με το ηλεκτρικό εργαλείο στο ύπαιθρο χρησιμοποιείτε πάντοτε καλώδια επιμηκυνσης (μπαλαντάξες) που έχουν εγκριθεί για χρήση σε εξωτερικούς χώρους. Η χρήση καλωδίων επιμηκυνσης εγκριμένων για εργασία σε εξωτερικούς χώρους μειώνει τον κίνδυνο ηλεκτροπληξίας.**
- #### 3) ΑΣΦΑΛΕΙΑ ΠΡΟΣΩΠΩΝ
- Να είσθε πάντοτε προσεκτικός/προσεκτική, να δίνετε προσοχή στην εργασία που κάνετε και να χειρίζεστε το ηλεκτρικό εργαλείο με περίσκεψη. Μην κάνετε χρήση του ηλεκτρικού εργαλείου όταν είσθε κουρασμένος/κουρασμένη ή όταν βρίσκεστε υπό την επήρση ναρκωτικών, οινοπνεύματος ή φαρμάκων.** Μια στιγμήα απροσεξία κατά το χειρισμό του ηλεκτρικού εργαλείου μπορεί να οδηγήσει σε σοβαρούς τραυματισμούς.
 - Φοράτε προστατευτικά ενδύματα και πάντοτε προστατευτικά γυαλιά.** Όταν φοράτε ενδύματα ασφαλείας, ανάλογα με το υπό χρήση ηλεκτρικό εργαλείο, όπως προσωπίδα προστασίας από σκόνη, αντιολισθητικά παπούτσια ασφαλείας, κράνη ή ωτασπίδες, μειώνεται ο κίνδυνος τραυματισμών.
 - Αποφεύγετε την αθέλητη θέση σε λειτουργία του ηλεκτρικού εργαλείου. Βεβαιωθείτε, ότι ο διακόπτης ON/OFF βρίσκεται στη θέση «OFF», πριν συνδέσετε το ηλεκτρικό εργαλείο με την πρίζα.** Όταν μεταφέρετε το ηλεκτρικό εργαλείο έχοντας το δάκτυλό σας στο διακόπτη ON/OFF ή αν συνδέσετε το ηλεκτρικό εργαλείο με την πηγή ρεύματος όταν ο διακόπτης ON/OFF βρίσκεται στη θέση «ON», αυτό μπορεί να οδηγήσει σε σοβαρούς τραυματισμούς.
 - Αφαιρείτε από τα ηλεκτρικά εργαλεία πριν τα θέσετε σε λειτουργία τυχόν συναρμολογημένα χρησιμοποιήσιμα εργαλεία ή κλειδιά.** Ένα εργαλείο ή κλειδί συναρμολογημένο στο περιστρεφόμενο εξάρτημα ενός ηλεκτρικού εργαλείου μπορεί να οδηγήσει σε τραυματισμούς.

e) Μην υπερκτιμάτε τον εαυτό σας. Φροντίζετε για την ασφαλή στήριξη του σώματος σας και διατηρείτε πάντοτε την ισορροπία σας. Αυτό σας επιτρέπει τον καλύτερο έλεγχο το ηλεκτρικού εργαλείου σε περιπτώσεις απροσδόκητων καταστάσεων.

f) Φοράτε κατάλληλη ενδυμασία εργασίας. Μην φοράτε φορδιά ενδύματα ή κοσμήματα. Κρατάτε τα μαλλιά σας, τα ενδύματα σας και τα γάντια σας μακριά από τα κινούμενα εξαρτήματα. Χαλαρή ενδυμασία, κοσμήματα και μακριά μαλλιά μπορεί να εμπλακούν στα κινούμενα εξαρτήματα.

g) Αν υπάρχει η δυνατότητα συναρμολόγησης διατάξεων αναρρόφησης ή συλλογής σκόνης, βεβαιωθείτε αν οι διατάξεις αυτές είναι συνδεδεμένες καθώς κι αν χρησιμοποιούνται σωστά. Η χρήση τέτοιων διατάξεων μειώνει τους κινδύνους που προέρχονται από τη σκόνη.

4) ΧΡΗΣΗ ΚΙ ΕΠΙΜΕΛΗΣ ΧΕΙΡΙΣΜΟΣ ΤΩΝ ΗΛΕΚΤΡΙΚΩΝ ΕΡΓΑΛΕΙΩΝ

a) Μην υπερφορτώνετε το ηλεκτρικό εργαλείο. Χρησιμοποιείτε για την εκάστοτε εργασία σας το ηλεκτρικό εργαλείο που προορίζεται γι'αυτήν.

Με το κατάλληλο ηλεκτρικό εργαλείο εργάζεσθε καλύτερα και ασφαλέστερα στην αναφερόμενη περιοχή ισχύος.

b) Μην χρησιμοποιήσετε ποτέ ένα ηλεκτρικό εργαλείο του οποίου ο διακόπτης ON/OFF είναι χαλασμένος. Ένα ηλεκτρικό εργαλείο το οποίο δεν μπορεί να τεθεί πλέον σε ή εκτός λειτουργίας είναι επικίνδυνο και πρέπει να επισκευαστεί.

c) Βγάλτε το φως από την πρίζα πριν διεξάγετε κάποια εργασία ρύθμισης στο ηλεκτρικό εργαλείο, πριν αντικαταστήσετε/αλλάξετε κάποιο εξάρτημα ή όταν πρόκειται να το διαφυλάξετε/αποθηκεύσετε. Αυτά τα προληπτικά μέτρα ασφαλείας μειώνουν τον κίνδυνο να τεθεί το μηχάνημα αθέλητα σε λειτουργία.

d) Διαφυλάγετε τα ηλεκτρικά εργαλεία που δε χρησιμοποιείτε μακριά από παιδιά. Μην αφήνετε άτομα που δεν είναι εξοικειωμένα με το ηλεκτρικό εργαλείο ή δεν έχουν διαβάσει αυτές τις οδηγίες χρήσης να το χρησιμοποιήσουν. Τα ηλεκτρικά εργαλεία είναι επικίνδυνα όταν χρησιμοποιούνται από άπειρα πρόσωπα.

e) Να περιποήσετε προσεκτικά το ηλεκτρικό σας εργαλείο και να ελέγχετε, αν τα κινούμενα τμήματα του λειτουργούν άψογα και δεν μπλοκάρουν, ή μήπως έχουν χαλάσει ή σπάσει εξαρτήματα, τα οποία επηρεάζουν έτσι αρνητικά τον τρόπο λειτουργίας του ηλεκτρικού εργαλείου. Δώστε τυχόν χαλασμένα εξαρτήματα του ηλεκτρικού εργαλείου για επισκευή πριν το χρησιμοποιήσετε πάλι. Η ανεπαρκής συντήρηση των ηλεκτρικών εργαλείων αποτελεί αιτία πολλών ατυχημάτων.

f) Διατηρείτε τα κοπτικά εργαλεία κοφτερά και καθαρά. Τα κοπτικά εργαλεία που συντηρούνται με προσοχή μπορούν να οδηγηθούν εύκολα και να ελεγχθούν καλύτερα.

g) Χρησιμοποιείτε τα ηλεκτρικά εργαλεία, τα εξαρτήματα, τα χρησιμοποιήσιμα εργαλεία κτλ. σύμφωνα με τις παρούσες οδηγίες καθώς και όπως προβλέπεται για τον εκάστοτε τύπο μηχανήματος. Λαμβάνετε ταυτόχρονα υπόψη σας τις συνθήκες εργασίας και την υπό εκτέλεση εργασία. Η χρήση του ηλεκτρικού εργαλείου για άλλες εκτός από τις προβλεπόμενες εργασίες μπορεί να δημιουργήσει επικίνδυνες καταστάσεις.

5) SERVICE

a) Δίνετε το ηλεκτρικό σας εργαλείο για επισκευή από άριστα ειδικευμένο προσωπικό, μόνο με γνήσια ανταλλακτικά. Έτσι εξασφαλίζεται η διατήρηση της ασφάλειας του ηλεκτρικού εργαλείου.

ΥΠΟΔΕΙΞΕΙΣ ΑΣΦΑΛΕΙΑΣ ΓΙΑ ΓΩΝΙΑΚΟΥΣ ΤΡΟΧΟΥΣ

ΓΕΝΙΚΑ

- Χρησιμοποιείτε αυτό το εργαλείο μόνο για ξηρό τρόχισμα/κοπή
- Να χρησιμοποιείτε μόνο τις φλάντζες που παραδίδονται με το εργαλείο
- Αυτό το εργαλείο δεν πρέπει να χρησιμοποιείται από άτομα ηλικίας κάτω των 16 ετών
- Πάντα να απουσνδέεται την πρίζα από το ηλεκτρικό δίκτυο πριν κάνετε κάποια ρύθμιση ή αλλάξετε εξάρτημα

ΕΞΕΡΤΗΜΑΤΑ

- Να χρησιμοποιείτε τα αυθεντικά εξαρτήματα της SKIL, τα οποία μπορείτε να προμηθευτείτε από το τοπικό κατάστημα διανομής εργαλείων SKIL
- Για τη συναρμολόγηση/χρήση εξαρτημάτων άλλου εργοστασίου, ακολουθήστε τις οδηγίες του σχετικού κατασκευαστή
- Χρησιμοποιείτε μόνο εξαρτήματα των οποίων ο ύψιστος επιτρεπτός αριθμός στροφών είναι τουλάχιστον τόσο υψηλός, όσο ο ύψιστος αριθμός στροφών χωρίς φορτίο του εργαλείου
- Μην χρησιμοποιείτε ελαττωματικούς, παραμορφωμένους ή δονόμενους δίσκους τροχίσματος/κοπής
- Να μεταχειρίζεστε τους δίσκους τροχίσματος/κοπής με προσοχή ώστε να αποφεύγετε τον θρυμματισμό και το ράγιση τους
- Προστατέψτε τα εξαρτήματα από κραδασμούς, δονήσεις και γράσα
- Μην χρησιμοποιείτε δίσκους τροχίσματος/κοπής μεγαλύτερου μεγέθους από το μέγιστο υποδεικνυόμενο μέγεθος
- Να χρησιμοποιείτε τα αυθεντικά εξαρτήματα της ύψως η φλάντζα στερέωσης G ④ - ποτέ μην χρησιμοποιείτε μειωτήρες ή προσαρμογείς για να προσαρμόσετε δίσκους τροχίσματος/κοπής μεγαλύτερης διαμέτρου οπής
- Ποτέ μην χρησιμοποιείτε δίσκους τροχίσματος/κοπής με σπειροτομημένη οπή, της οποίας το σπείρωμα δεν επαρκεί ώστε να δέχεται το μήκος του άξονα του εργαλείου
- Ποτέ μην χρησιμοποιείτε εξαρτήματα με "τυφλή" οπή με σπείρωμα, μικρότερη από M14 x 21 χλστ

ΥΠΑΙΘΡΙΑ ΧΡΗΣΗ

- Συνδέστε το εργαλείο στο ρεύμα χρησιμοποιώντας έναν διακόπτη ασφαλείας με όριο ενεργοποίησης 30 mA
- Χρησιμοποιείτε μόνο προέκταση καλωδίου κατάλληλη για υπαίθρια χρήση και εξοπλισμένη με μια αδιάβροχη πρίζα σύνδεσης

ΠΡΙΝ ΑΠΟ ΤΗ ΧΡΗΣΗ

- Πριν χρησιμοποιήσετε το εργαλείο για πρώτη φορά, σας συνιστούμε να λάβετε πρακτικές πληροφορίες
- **Μην κατεργάζεστε υλικά που περιέχουν αμιάντο** (το αμιάντο θεωρείται σαν καρκινογόνο υλικό)
- **Να λαμβάνετε προστατευτικά μέτρα όταν κατά τη εργασία σας υπάρχει η περίπτωση να δημιουργηθεί ανθυγιεινή, εύφλεκτη ή εκρηκτική σκόνη** (μερικά είδη σκόνης θεωρούνται καρκινογόνα) - να φοράτε μάσκα προστασίας σκόνης και να χρησιμοποιείτε αναρρόφηση σκόνης/ροκανιδιών/γρεζιών
- Προσέξτε τα κρυμμένα ηλεκτρικά καλώδια και τις σωληνώσεις νερού ή αερίου - ελέγξτε τον χώρο εργασίας, για παράδειγμα με ανιχνευτή μετάλλων
- Θα πρέπει να είστε προεκτικοί όταν κάντε εγχοπές, ιδιαίτερα σε φέροντες τοίχους (για τις εγχοπές σε φέροντες τοίχους ισχύουν κανονισμοί που διαφέρουν από χώρα σε χώρα - οι ισχύοντες κανονισμοί θα πρέπει οπωσδήποτε να τηρούνται αυστηρώς)
- Σφίξτε το κατεργαζόμενο κομμάτι στη θέση του σε περίπτωση που δεν παραμένει σταθερό από το ίδιο το βάρος του
- Μην σφίγγετε το εργαλείο σε μέγερνη
- Χρησιμοποιείτε ασφαλείς, τελειώς ξετυλιγμένες προεκτάσεις καλωδίου με χωρητικότητα 16 Amps
- Να φοράτε προστατευτικά γυαλιά και γάντια, προστατευτικά μέσα ακοής ③ και γέρα παπούτσια - αν είναι αναγκαίο, φορέστε και ποδιά
- Θα πρέπει πάντοτε να τοποθετείτε την πλευρική λαβή E ⑤ και τον προφυλακτήρα F ④ - ποτέ μην χρησιμοποιείτε το εργαλείο χωρίς αυτά τα εξαρτήματα
- Βεβαιωθείτε ότι το εργαλείο είναι σβησμένο όταν συνδέεται στην πρίζα

ΚΑΤΑ ΤΗ ΧΡΗΣΗ

- Να κρατάτε πάντα το καλώδιο μακριά από τα κινούμενα μέρη του εργαλείου σας - κρατάτε το καλώδιο προς τα πίσω, μακριά από το εργαλείο
- Σε περίπτωση που κοπεί ή υποστεί βλάβη το καλώδιο κατά τη διάρκεια της εργασίας, μην αγγίζετε το καλώδιο, και βγάλτε αμέσως το φις από την πρίζα - ποτέ μην χρησιμοποιείτε το εργαλείο όταν έχει υποστεί βλάβη το καλώδιο
- Πιέστε το κουμπί ασφάλισης της ατράκτου D ④ μόνο όταν είναι σταματημένη η ατράκτος A ④
- Κρατάτε τα χέρια σας μακριά από τα κινούμενα μέρη του εργαλείου
- Όταν τροχίζετε μεταλλικά υλικά, παράγονται σπινθήρες - απομακρύνετε άλλα άτομα και εύφλεκτα υλικά από τον χώρο εργασίας
- Σε περίπτωση ηλεκτρικής ή μηχανικής δυσλειτουργίας, σταματήστε αμέσως το εργαλείο και βγάλτε το από την πρίζα

- Σε περίπτωση που μπλοκάρει ο δίσκος, με αποτέλεσμα να "κλωτσάει" το εργαλείο, σβήστε αμέσως το εργαλείο
- Σε περίπτωση που διακοπεί το ρεύμα ή βγει το φις από την πρίζα, απασφαλίστε αμέσως τον διακόπτη H ④ και βάλτε τον στη θέση OFF (σβησμένο) για να αποφύγετε την ακούσια επανενεργοποίηση του εργαλείου
- Μην ασκείτε τόση μεγάλη δύναμη στο εργαλείο ώστε να σταματήσει να κινείται

ΜΕΤΑ ΤΗ ΧΡΗΣΗ

- Πριν ακουμπήσετε κάτω το εργαλείο, σβήστε το μοτέρ και βεβαιωθείτε ότι όλα τα κινούμενα μέρη έχουν σταματήσει τελειώς
- Μετά το σβήσιμο του εργαλείου, μην σταματάτε την περιστροφή του εξαρτήματος εφαρμόζοντας πλάγια δύναμη σ' αυτό

ΜΕΡΗ ΤΟΥ ΕΡΓΑΛΕΙΟΥ ④

- A Άτρακτος
- B Φλάντζα σύσφιγξης
- C Γαλλικό κλειδί
- D Κουμπί ασφάλισης της άτρακτου
- E Πλευρική λαβή
- F Προφυλακτήρας
- G Φλάντζα στερέωσης
- H Διακόπτης ασφαλείας Ξεκίνημα/σταμάτημα

ΧΡΗΣΗ

- Τοποθέτηση εξαρτημάτων ④
 - ! **βγάλτε το φις από την πρίζα**
 - καθαρίστε την άτρακτο A και όλα τα εξαρτήματα που πρόκειται να συναρμολογηθούν
 - σφίξτε τη φλάντζα σύσφιγξης B χρησιμοποιώντας το κλειδί C, πιέζοντας ταυτόχρονα το κουμπί ασφάλισης της ατράκτου D
 - για την αφαίρεση των εξαρτημάτων, εργαστείτε στην αντίστροφη σειρά
 - ! **οι δίσκοι τροχίσματος/κοπής ζεσταίνονται πάρα πολύ κατά τη χρήση, γι' αυτό μην τους αγγίζετε μέχρι να κρυσώσουν**
 - ! **τοποθετείτε πάντα τον δίσκο συγκράτησης όταν χρησιμοποιείτε εξαρτήματα λείανσης**
 - ! **ποτέ μην χρησιμοποιείτε τον δίσκο τροχίσματος/κοπής χωρίς την ετικέτα η οποία είναι κολλημένη στον δίσκο**
- Πλευρική λαβή ⑤
 - ! **βγάλτε το φις από την πρίζα**
 - βιδώστε την πλευρική λαβή E στη δεξιά ή την αριστερή πλευρά του εργαλείου (ανάλογα με την εργασία που έχετε να κάνετε)
 - Προφυλακτήρας
 - ! **βγάλτε το φις από την πρίζα**
 - ανοίξτε τον προφυλακτήρα F ξεσφίγγοντας τη βίδα
 - τοποθετήστε τον προφυλακτήρα F στη στεφάνη της ατράκτου, στην κεφαλή του εργαλείου, και γυρίστε τον προς την επιθυμητή θέση (ανάλογα με την εργασία που έχετε να κάνετε)

- στερεώστε τον προφυλακτήρα F σφίγγοντας τη βίδα
- ! **η κλειστή πλευρά του προφυλακτήρα θα πρέπει να είναι πάντοτε στραμμένη προς τον χειριστή του εργαλείου**
- Προτού χρησιμοποιήσετε το εργαλείο
 - βεβαιωθείτε ότι το εξάρτημα έχει τοποθετηθεί σωστά και έχει σφικτεί στη θέση του
 - ελέγξτε ότι το εξάρτημα λειτουργεί ανεμπόδιστα περιστρέφοντάς το με το χέρι
 - δοκιμάστε το εργαλείο τουλάχιστον για 30 δευτερόλεπτα δουλεύοντάς το στη μέγιστη ταχύτητα χωρίς φορτίο, από ασφαλή θέση
 - σταματήστε αμέσως το εργαλείο σε περίπτωση σοβαρής δόνησης ή αλλης ελλατωματικής λειτουργίας και ελέγξτε το για να εξακριβωθεί η αιτία
- Διακόπτης ασφαλείας ξεκίνημα/σταμάτημα H ⑥
 - ξεκινήστε το εργαλείο ⑥a
 - ! **προσέξτε την ξαφνική αντίστροση (κλώστση) που δημιουργείται μόλις ξεκινήσετε το εργαλείο**
 - ! **προτού το εξάρτημα κατεργασίας φθάσει το κατεργαζόμενο κομμάτι, το εργαλείο πρέπει να λειτουργεί με πλήρη ταχύτητα**
 - ασφαλίστε το διακόπτη ⑥b
 - απασφάλιση του διακόπτη/σταματήστε το εργαλείο ⑥c
 - ! **προτού σταματήσετε το εργαλείο πρέπει να το ανασηκώσετε από το κατεργαζόμενο κομμάτι**
 - ! **το εξάρτημα συνεχίζει να περιστρέφεται για σύντομο χρονικό διάστημα μετά τη διακοπή λειτουργίας του εργαλείου**
- Ηλεκτρονικός έλεγχος ομαλής εκκίνησης Εξασφαλίζει ομαλή αύξηση στη μέγιστη ταχύτητα λειτουργίας, χωρίς απότομο "κλώστση", όταν μπαίνει σε λειτουργία το εργαλείο
- Ηλεκτρονική σταθεροποίηση ταχύτητας Διατηρεί την ταχύτητα σε σταθερό επίπεδο όσο το φορτίο αυξάνεται
- Τρόχισμα ⑦
 - κινήστε το εργαλείο πίσω-μπρος ασκώντας μέτρια πίεση
 - ! **ποτέ μην χρησιμοποιείτε δίσκο κοπής για πλάγιο τρόχισμα**
- Κοπή ⑧
 - όταν κόβετε μη γέρνετε το εργαλείο
 - το εργαλείο θα πρέπει να κινείται προς την κατεύθυνση που δείχνει το βέλος στην κεφαλή του εργαλείου, για να μην χάσετε τον έλεγχο του εργαλείου με αποτέλεσμα να βγει το εργαλείο έξω από την εγκοπή
 - μην ασκείτε πίεση στο εργαλείο, αφήστε την ταχύτητα του δίσκου κοπής να κάνει τη δουλειά για σας
 - η ταχύτητα εργασίας του δίσκου κοπής εξαρτάται από το υλικό που κόβετε
 - μην προπαθείτε να σταματήσετε τον δίσκο κοπής ασκώντας πλάγια πίεση

- Πώς να κρατάτε και πώς να οδηγείτε το εργαλείο
 - κρατάτε το εργαλείο σφικτά και σταθερά με τα δυο σας χέρια, ώστε να έχετε τον πλήρη έλεγχο του εργαλείου ανά πάσα στιγμή
 - φροντίστε ώστε να στέκεστε σταθερά
 - προσέξτε την κατεύθυνση περιστροφής: κρατάτε πάντοτε το εργαλείο με τέτοιο τρόπο, ώστε οι σπινθήρες και η σκόνη τροχίσματος/κοπής να εκτοξεύονται μακριά από το σώμα σας
 - κρατάτε τις σχισμές αερισμού καθαρές και ακάλυπτες

ΣΥΜΒΟΥΛΕΣ ΓΙΑ ΚΑΛΗ ΚΑΤΕΡΓΑΣΙΑ

- Αντί της φλάντζας B ④, μπορείτε να χρησιμοποιήσετε το περικόχλιο ταχυσύσφιγξης "CLIC" J ④ (εξάρτημα SKIL 2610388766) - στην περίπτωση αυτή, οι δίσκοι τροχίσματος/κοπής μοντάρονται χωρίς τη βοήθεια κλειδιών

ΕΓΓΥΗΣΗ / ΠΕΡΙΒΑΛΛΟΝ

- Κρατάτε πάντοτε το εργαλείο και το καλώδιο καθαρά (και ιδιαίτερα τις σχισμές αερισμού)
 - ! **μην επιχειρήσετε καθαρισμό βάζοντας αιχμηρά αντικείμενα μέσα στις σχισμές αερισμού**
 - ! **αφαιρέστε την πρίζα πριν το καθάρισμα**
- Για αυτό το προϊόν της SKIL παρέχεται εγγύηση σύμφωνα με τις νομικές διατάξεις που ισχύουν στη χώρα σας - βλάβες που οφείλονται σε φυσιολογική φθορά, υπερφόρτιση ή λανθασμένη χρήση δεν καλύπτονται από την εγγύηση
- Αν έχετε κάποιο παράπονο, στείλτε το εργαλείο χωρίς να το αποσυναρμολογήσετε μαζί με την απόδειξη αγοράς στο κατάστημα από το οποίο το αγοράσατε ή στον πλησιέστερο σταθμό τεχνικής εξυπηρέτησης της SKIL (θα βρείτε τις διευθύνσεις και το διάγραμμα συντήρησης του εργαλείου στην ιστοσελίδα www.skileurope.com)
- **Μην πετάτε τα ηλεκτρικά εργαλεία, εξαρτήματα και συσκευασία στον κάδο οικιακών απορριμμάτων** (μόνο για τις χώρες της ΕΕ)
 - σύμφωνα με την ευρωπαϊκή οδηγία 2002/96/EK περί ηλεκτρικών και ηλεκτρονικών συσκευών και την ενσωμάτωσή της στο εθνικό δίκαιο, τα ηλεκτρικά εργαλεία πρέπει να συλλέγονται ξεχωριστά και να επιστρέφονται για ανακύκλωση με τρόπο φιλικό προς το περιβάλλον
 - το σύμβολο ⑨ θα σας το θυμήσει αυτό όταν έλθει η ώρα να πετάξετε τις

RO

Polizor unghiular

9295

INTRODUCERE

- Această sculă este destinată șlefuirii, tăierii și debavurării materialelor metalice și a pietrei fără a folosi apă; cu accesoriile corespunzătoare, sculă poate fi folosită și la periere și sablare
- Citiți și păstrați acest manual de instrucțiuni ②

SPECIFICAȚII TEHNICE ①

PROTECȚIE

INSTRUCȚIUNI DE PROTECȚIE GENERALE

ATENȚIE! Citiți toate instrucțiunile. Nerespectarea următoarelor instrucțiuni referitoare la securitatea și protecția muncii ar putea duce la electrocutare, incendii și/sau răni grave. Termenul de "sculă electrică" folosit în instrucțiunile următoare se referă la scule electrice racordate la rețeaua electrică (prin cordon de alimentare).

1) LOCUL DE MUNCĂ

- a) **Păstrați-vă locul de muncă curat și bine iluminat.** Dezordinea la locul de muncă și existența unor sectoare de lucru neiluminate poate duce la accidente.
- b) **Nu folosiți mașina în medii cu pericol de explozie, acolo unde există lichide, gaze sau pulberi inflamabile.** Sculele electrice pot produce scânteii care să aprindă pulberile sau vaporii.
- c) **Nu permiteți accesul copiilor și al altor persoane în timpul lucrului cu mașina.** Dacă vi se distrage atenția puteți pierde controlul asupra mașinii.

2) SECURITATE ELECTRICĂ

- a) **Ștecherul de racordare a mașinii trebuie să se potrivească cu priza de alimentare. Nu este permisă în nici-un caz modificarea ștecherului. Nu folosiți adaptoare pentru ștechere la mașinile legate la pământ.** Ștecherele nemodificate și prizele de curent adecvate acestora reduc riscul de electrocutare.
- b) **Evitați contactul corporal cu suprafețe legate la pământ ca țevi, radiatoare, plite electrice și frigider.** Există un risc crescut de electrocutare atunci când corpul dv. este și el legat la pământ.
- c) **Nu lăsați mașina afară în ploaie sau în mediu umed.** Riscul de electrocutare crește atunci când într-o sculă electrică pătrunde apă.
- d) **Nu trageți niciodată mașina de cordorul de alimentare pentru a o transporta, a o atârna sau a scoate ștecherul din priza de curent. Feriți cordorul de alimentare de căldură, ulei, muchii ascuțite sau de subsansamble aflate în mișcare.** Un cordon de alimentare deteriorat sau înfășurat mărește riscul de electrocutare.
- e) **Atunci când lucrați cu scula electrică în aer liber, folosiți numai cordoane prelungitoare autorizate pentru exterior.** Întrebuințarea unui cordon prelungitor adecvat utilizării în aer liber reduce riscul de electrocutare.

3) SECURITATEA PERSOANELOR

- a) **Fiți vigilenți, fiți atenți la ceea ce faceți și procedați rațional atunci când lucrați cu scula electrică. Nu folosiți mașina dacă sunteți obosiți sau vă aflați sub influența drogurilor, alcoolului sau a medicamentelor.** Un moment de neatenție în timpul lucrului cu mașina poate duce la răni grave.

- b) **Purtați echipament de protecție personală și întotdeauna ochelari de protecție.** Folosirea echipamentelor de protecție a persoanei ca mască de protecție împotriva prafului, încălțăminte antiderapantă, cască de protecție sau aparat de protecție auditivă, în funcție de tipul și domeniul de folosire al sculei electrice, reduce riscul răniilor.
 - c) **Evitați pornirea involuntară a mașinii. Înainte de a introduce ștecherul în priza de curent, asigurați-vă că întrerupătorul mașinii se află în poziția „OPRIT”.** Transportarea mașini cu butonul întrerupător apăsat sau introducerea ștecherului în priza de curent cu mașina pornită poate duce la accidente.
 - d) **Înainte de a pune mașina în funcțiune scoateți afară cheile reglabile și fixe.** O cheie reglabilă sau fixă, aflată într-o componentă de mașină care se rotește, poate provoca răni.
 - e) **Nu vă supraapreciați. Asigurați-vă o poziție stabilă și păstrați-vă întotdeauna echilibrul.** Astfel veți putea controla mai bine mașina în situații neașteptate.
 - f) **Purtați îmbrăcăminte de lucru adecvată. Nu purtați haine largi sau podoaabe. Țineți părul, îmbrăcăminte și mănușile departe de componente aflate în mișcare.** Îmbrăcăminte largă, podoaabele și părul lung pot fi prinse de piesele aflate în mișcare.
 - g) **Dacă există posibilitatea montării de echipamente și instalații de aspirare și colectare a prafului, asigurați-vă că acestea sunt conectate și folosite corect.** Folosirea acestor echipamente reduce efectele dăunătoare legate de acumularea prafului.
- #### 4) MANEVRAȚI ȘI FOLOSIȚI CU GRIJĂ SCULELE ELECTRICE
- a) **Nu suprasolicitați mașina. Folosiți scula electrică destinată executării lucrării dumneavoastră.** Cu scula electrică potrivită lucrați mai bine și mai sigur în domeniul de putere specificat.
 - b) **Nu folosiți scula electrică dacă are întrerupătorul defect.** O sculă electrică, care nu mai poate fi pornită sau oprită este periculoasă și trebuie reparată.
 - c) **Scoateți ștecherul din priza de curent înainte de a executa reglaje la mașină, înainte de înlocuirea accesoriilor sau de a depozita mașina.** Această măsură preventivă reduce riscul unei porniri involuntare a mașinii.
 - d) **În caz de nefolosire păstrați mașinile la loc inaccesibil copiilor. Nu permiteți persoanelor care nu sunt familiarizate cu mașina sau care n-au citit prezentele instrucțiuni, să folosească mașina.** Sculele electrice sunt periculoase atunci când sunt folosite de persoane fără experiență.
 - e) **Întrețineți-vă cu grijă mașina. Controlați dacă componentele mobile funcționează corect și dacă nu se blochează, dacă nu există piese defecte sau deteriorate, care să afecteze funcționarea mașinii. Înainte de a repune în funcțiune mașina, duceți-o la un atelier de asistență service pentru reparare sau înlocuirea pieselor deteriorate.** Multe accidente s-au datorat întreținerii defectuoase a sculelor electrice.

- f) **Păstrați accesoriile bine ascuțite și curate.**
Accesoriile atent întreținute, cu muchii tăietoare bine ascuțite se blochează mai greu și pot fi conduse mai ușor.
- g) **Folosiți sculele electrice, accesoriile, dispozitivele de lucru etc. conform prezentelor instrucțiuni și așa cum este specificat pentru acest tip de mașină. Țineți seama de condițiile de lucru și de lucrarea care trebuie executată.** Întrebuințarea unor scule electrice destinate altor utilizări decât cele preconizate, poate duce la situații periculoase.
- 5) SERVICE**
- a) **Permiteți repararea mașinii dumneavoastră numai de către un specialist calificat și numai cu piese de schimb originale.** În acest mod este garantată menținerea siguranței de exploatare a mașinii.

INSTRUCȚIUNI DE PROTECȚIE PENTRU POLIZOARE UNGHIULARE

GENERALITĂȚI

- Folosiți această sculă doar pentru șlefuire/tăiere uscată
- Folosiți doar flansele care sunt livrate cu această sculă
- Această sculă nu ar trebui folosită de către persoane sub 16 ani
- Decuplați întotdeauna ștecherul de la sursa de alimentare înainte de a face o reglare sau o schimbare de accesoriu**

ACCESORII

- Folosiți accesoriile originale SKIL care pot fi obținute de la dealerul dumneavoastră de produse SKIL
- Pentru montarea/utilizarea accesoriilor care nu provin de la firma SKIL respectați instrucțiunile respectivului producător
- Folosiți numai accesoriile a căror turaj este admisă este cel puțin egală cu turajul maximă la mers în gol a aparatului
- Nu folosiți discuri de șlefuire/tăiere care sunt deteriorate, deformate sau care vibrează
- Manevrați și depozitați cu grijă discurile de șlefuire/tăiere pentru a evita spargerea și fisurarea lor
- Feriți accesoriile de impacturi, șocuri și unsoare
- Nu folosiți un disc de șlefuire/tăiere mai mare decât dimensiunea maximă recomandată
- Folosiți doar discuri de șlefuire/tăiere al căror diametru al orificiului se potrivește cu flanșă suport G ④ fără joc; nu folosiți niciodată reductoare sau adaptoare pentru a fixa discuri de șlefuire/tăiere cu orificiu mare
- Nu folosiți niciodată discuri de șlefuire/tăiere cu orificiu filetat al căror filet nu este suficient de lung pentru a cuprinde lungimea fusului sculei
- Nu folosiți niciodată accesorii cu orificiu filetat orb mai mic decât M14x21mm

UTILIZARE ÎN AER LIBER

- Conectați sculă prin intermediul unui întrerupător de curent de defect cu un curent de declansare de maximum 30mA
- Folosiți doar un cordon de racord destinat utilizării în aer liber echipat cu o priză protejată contra stropirii

ÎNAINTEA UTILIZĂRII

- Înainte de utilizarea pentru prima dată a sculei este recomandat să primiți informații practice

- Nu prelucrați materiale care conțin azbest** (azbestul este considerat a fi cancerigen)
- Luați măsuri de protecție dacă în timpul lucrului se pot produce pulberi nocive, inflamabile sau explozibile** (anumite pulberi sunt considerate a fi cancerigene); purtați o mască de protecție împotriva prafului și folosiți o instalație de aspirare a prafului/așchilor, în situația în care există posibilitatea racordării acestora
- Aveți grijă la cablurile electrice sau conductele de gaz și apă ascunse; verificați zona de lucru, de exemplu folosind un detector de metale
- Aveți grijă la tăierea canalelor, în special în zidurile de rezistență (orificiile în zidurile de rezistență se supun reglementărilor specifice țării respective; aceste reglementări trebuie respectate în toate situațiile)
- Fixați piesa care urmează a fi prelucrată în cazul în care aceasta nu rămâne în poziție staționară sub propria greutate
- Nu fixați sculă în menghină
- Folosiți cordoane de racord complet derulate și sigure cu capacitate de 16 Amperi
- Purtați ochelari și mănuși de protecție, căști antifonice ③ și pantofi solizi; atunci când este necesar, folosiți un șorț
- Montați întotdeauna mânerul auxiliar E ⑤ și dispozitivul de protecție F ④; nu folosiți niciodată sculă fără ele
- Asigurați-vă că sculă are contactul întrerupt atunci când o contactați la priză

ÎN TIMPUL FUNCȚIONĂRII

- Feriți întotdeauna cordonul de părțile în mișcare ale sculei; orientați cordonul spre spate, la distanță de sculă
- În cazul în care cordonul este deteriorat sau sectionat în timpul lucrului, nu atingeți cordonul, dar deconectați imediat de la priză
- Apăsăți butonul de blocare a fusului D ④ atunci când fusul A ④ este oprit
- Feriți mâinile de accesoriile în mișcare
- Atunci când șlefuiți metal se produc scântei; îndepărtați celelalte persoane și materiale combustibile din zona de lucru
- În cazul disfuncționalităților electrice sau mecanice, întrerupeți imediat contactul și deconectați de la priză
- În cazul în care discul de tăiere este blocat, având ca rezultat șocuri asupra sculei, întrerupeți imediat contactul sculei
- În caz de întrerupere a curentului atunci când ștecherul este scos din priză în mod accidental, treceți imediat întrerupătorul pornit/oprit H ④ în poziția oprit (OFF) pentru a preveni pornirea necontrolată
- Nu apăsați sculă astfel încât ea să se oprească

DUPĂ UTILIZARE

- Înainte de a aseza sculă, întrerupeți contactul și asigurați-vă că toate părțile în mișcare s-au oprit complet
- După ce ați întrerupt contactul, nu opriți niciodată rotația accesoriului aplicându-i acestuia o forță laterală

ELEMENTELE SCULEI ④

- A Fusul
- B Flanșă de prindere
- C Cheie pentru piulițe
- D Butonul de blocare a fusului
- E Mâner auxiliar
- F Dispozitiv de protecție
- G Flanșă de montare
- H Întrerupătorul cu blocare pornit/oprit

UTILIZARE

- Montarea accesoriilor ④
 - ! **deconectați de la priză**
 - curățați fusul A și toate părțile care urmează a fi montate
 - strângeți flanșa de prindere B cu cheia de C în timp ce apăsați butonul de blocare a fusului D
 - pentru demontarea accesoriilor acționați în ordinea inversă a operațiilor
 - ! **discurile de șlefuire/tăiere devin foarte fierbinti în timpul utilizării; nu le atingeți până nu s-au răcit**
 - ! **montați întotdeauna tamponane de amortizare atunci când folosiți accesorii pentru sablare**
 - ! **nu folosiți niciodată un disc de șlefuire/tăiere căruia să îi lipsească inscripționarea sub forma unei etichete**
- Mâner auxiliar ⑤
 - ! **deconectați de la priză**
 - înșurubați mânerul auxiliar E în partea dreaptă sau cea stângă a sculei (în funcție de operația care trebuie realizată)
- Dispozitivul de protecție
 - ! **deconectați de la priză**
 - eșfaceți dispozitivul de protecție F prin deșurubarea șurubului
 - așezați dispozitivul de protecție F pe mansonul fusului de pe port-sculă și răsuciți-l în poziția cerută (în funcție de operația care trebuie realizată)
 - strângeți dispozitivul de protecție F prin înșurubarea șurubului
 - ! **asigurați-vă că partea închisă a dispozitivului de protecție este întotdeauna îndreptată către operator**
- Înainte de a folosi scula
 - asigurați-vă că accesoriul este corect montat și bine strâns
 - verificați dacă accesoriul se învârteste liber, rotindu-l cu mâna
 - testați scula în funcționare cel puțin 30 de secunde la cea mai mare turatie de mers în gol într-o poziție sigură
 - opriți imediat în cazul unor vibrații considerabile sau al altor defecte și verificați scula pentru a stabili cauza
- Întrerupătorul cu blocare pornit/oprit H ⑥
 - conectați scula ⑥a
 - ! **așteptați-vă la un impact brusc atunci când scula este conectată**
 - ! **înainte ca accesoriul să atingă piesa care urmează a fi prelucrată, scula ar trebui să funcționeze la întreaga viteză**

- blocați întrerupătorul ⑥b
- deblocați întrerupătorul/deconectați scula ⑥c
- ! **înainte de a deconecta scula, ar trebui să o ridicați de pe suprafața piesei care este prelucrată**
- ! **accesoriul continuă să se rotească pentru o scurtă perioadă de timp după ce scula a fost deconectată**
- Pornire electronică progresivă
 - Asigură creșterea progresivă a vitezei până la viteza maximă, fără șoc inițial la pornirea sculei
- Stabilizator electronic de viteză
 - Asigură o viteză constantă pe măsură ce sarcina crește
- Șlefuirea ⑦
 - mișcați scula înainte –înapoi apăsând moderat
 - ! **nu folosiți niciodată un disc de tăiere pentru șlefuire laterală**
- Tăierea ⑧
 - atunci când tăieți nu basculați scula
 - mișcați întotdeauna scula în aceeași direcție ca și săgeata de pe port-sculă pentru ca scula să nu fie aruncată din tăiere în mod necontrolat
 - nu apăsați scula; lăsați viteza discului de tăiere să-si îndeplinească sarcina
 - viteza de lucru a discului de tăiere depinde de materialul care trebuie tăiat
 - nu blocați discurile de tăiere cu presiune laterală
- Ținerea și ghidarea sculei
 - țineți întotdeauna cu putere scula cu ambele mâini, așa încât să o puteți controla în orice moment
 - mențineți o poziție sigură a corpului
 - fiți atenți la direcția de rotație; țineți întotdeauna scula așa încât scântele și praful provenit de la șlefuire/tăiere să nu se deplaseze în direcția corpului
 - mențineți fantele de ventilație neobturate și neacoperite

SFATURI PENTRU UTILIZARE

- În locul flansei B ④ poate fi folosită flanșa de prindere rapidă "CLIC" J ④ (accesoriu SKIL 2610388766); discurile de șlefuire/tăiere pot fi montate fără utilizarea cheilor accesoriu

GARANȚIE / MEDIUL

- Păstrați aparatul și cablul curat (mai ales fantele de ventilație)
 - ! **nu încercați să curățați fantele de ventilație înfigând obiecte ascuțite în ele**
 - ! **deconectați de la priză înainte de a curăța**
- Acest aparat SKIL este garantat conform regulamentelor pe țări; defecțiuni cauzate de uzaj normal, supraîncărcare sau mod de folosire indecwat se înscru în afara garanției
- În caz de reclamații trimiteți aparatul **în totalitatea lui** cu bonul de cumpărare la dealer sau la centru de service SKIL cel mai apropiat (adrese și diagrame de service se găsească la www.skileurope.com)

- **Nu aruncați sculele electrice, accesoriile sau ambalajele direct la pubelele de gunoi** (numai pentru țările din Comunitatea Europeană)
 - Directiva Europeană 2002/96/EC face referire la modul de aruncare a echipamentelor electrice și electronice și modul de aplicare a normelor în conformitate cu legislația națională; sculele electrice în momentul în care au atins un grad avansat de uzură și trebuie aruncate, ele trebuie colectate separat și reciclate într-un mod ce respectă normele de protecție a mediului inconjurător
 - simbolul ♻️ vă va atenționa asupra modului în care se face această aruncare

BG

Ъглошлайф

9295

ВЪВЕДЕНИЕ

- Тази машина е предназначена за шлифване, рязане и матиране на метали и каменни материали, без употреба на вода; в съчетание с подходящи аксесоари, машината може да се използва и за изчеткване и почистване с пясък
- Прочетете и съхранете това ръководство за работа ②

ТЕХНИЧЕСКА СПЕЦИФИКАЦИЯ ①

ТЕХНИКА НА БЕЗОПАСНОСТТА

ОБЩИ УКАЗАНИЯ ЗА БЕЗОПАСНА РАБОТА

ВНИМАНИЕ! Прочетете внимателно всички указания. Неспазването на приведените по-долу указания може да доведе до токов удар, пожар и/или тежки травми. Използваният по-долу термин “електроинструмент” се отнася до захранвани от електрическата мрежа електроинструменти (със захранващ кабел).

1) РАБОТНО МЯСТО

- Поддържайте работното си място чисто и подредено.** Безпорядъкът и недостатъчното осветление могат да спомогнат за възникването на трудова злополука.
- Не работете с електроинструмента в среда с повишена опасност от възникване на експлозия, в близост до леснозапалими течности, газове или прахообразни материали.** По време на работа в електроинструментите се отделят искри, които могат да възпламенят прахообразни материали или пари.
- Дръжте деца и странични лица на безопасно разстояние, докато работите с електроинструмента.** Ако вниманието Ви бъде отклонено, може да загубите контрола над електроинструмента.

2) БЕЗОПАСНОСТ ПРИ РАБОТА С ЕЛЕКТРИЧЕСКИ ТОК

- Щепселът на електроинструмента трябва да е подходящ за ползвания контакт. В никакъв случай не се допуска изменение на конструкцията на щепсела.** Когато работите със занулени електроуреди, не използвайте адаптери за щепсела. Ползването на оригинални щепсели и контакти намалява риска от възникване на токов удар.
- Избягвайте допира на тялото Ви до заземени тела, напр. тръби, отоплителни уреди, пещи и хладилници.** Когато тялото Ви е заземено, рискът от възникване на токов удар е по-голям.
- Предпазвайте електроинструмента си от дъжд и влага.** Проникването на вода в електроинструмента повишава опасността от токов удар.
- Не използвайте захранващия кабел за цели, за които той не е предвиден, напр. за да носите електроинструмента за кабела или да извадите щепсела от контакта.** Предпазвайте кабела от нагряване, омасляване, допир до остри ръбове или до подвижни звена на машини. Повредени или усукани кабели увеличават риска от възникване на токов удар.
- Когато работите с електроинструмент навън, използвайте само удължителни кабели, предназначени за работа на открито.** Използването на удължител, предназначен за работа на открито, намалява риска от възникване на токов удар.

3) БЕЗОПАСЕН НАЧИН НА РАБОТА

- Бъдете концентрирани, следете внимателно действията си и постъпвайте предпазливо и разумно. Не използвайте електроинструмента, когато сте уморени или под влиянието на наркотични вещества, алкохол или упойващи лекарства.** Един миг разсеяност при работа с електроинструмент може да има за последствие изключително тежки наранявания.
- Работете с предпазващо работно облекло и винаги с предпазни очила.** Носенето на подходящи за ползвания електроинструмент и извършваната дейност лични предпазни средства, като дихателна маска, здрави плътнотворени обувки със стабилен грайфер, защитна каска или шумозаглушители (антифони), намалява риска от възникване на трудова злополука.
- Избягвайте опасността от включване на електроинструмента по невнимание. Преди да включите щепсела в захранващата мрежа се уверявайте, че пусковият прекъсвач е в положение “изключено”.** Ако, когато носите електроинструмента, държите пръста си върху пусковия прекъсвач, или ако подавате захранващо напрежение на електроинструмента, когато е включен, съществува опасност от възникване на трудова злополука.

- d) **Преди да включите електроинструмента, се уверявайте, че сте отстранили от него всички помощни инструменти и гаечни ключове.** Помощен инструмент, забравен на въртящо се звено, може да причини травми.
- e) **Не надценявайте възможностите си. Работете в стабилно положение на тялото и във всеки момент поддържайте равновесие.** Така ще можете да контролирате електроинструмента по-добре и по-безопасно, ако възникне неочаквана ситуация.
- f) **Работете с подходящо облекло. Не работете с широки дрехи или украшения. Дръжте косата си, дрехите и ръкавици на безопасно разстояние от въртящи се звена на електроинструментите.** Широките дрехи, украшенията, дългите коси могат да бъдат захванати и увлечени от въртящи се звена.
- g) **Ако е възможно използването на външна аспирационна система, се уверявайте, че тя е включена и функционира изправно.** Използването на аспирационна система намалява рисковете, дължащи се на отделящата се при работа прах.
- 4) ГРИЖЛИВО ОТНОШЕНИЕ КЪМ ЕЛЕКТРОИНСТРУМЕНТИТЕ**
- a) **Не претоварвайте електроинструмента. Използвайте електроинструментите само съобразно тяхното предназначение.** Ще работите по-добре и по-безопасно, когато използвате подходящия електроинструмент в зададения от производителя диапазон на натоварване.
- b) **Не използвайте електроинструмент, чиито пусков прекъсвач е повреден.** Електроинструмент, който не може да бъде изключван и включван по предвидения от производителя начин, е опасен и трябва да бъде ремонтиран.
- c) **Преди да промените настройките на електроинструмента, да замените работни инструменти и допълнителни приспособления, както и когато продължително време няма да използвате електроинструмента, изключвайте щепсела от захранващата мрежа.** Тази мярка премахва опасността от задействане на електроинструмента по невнимание.
- d) **Съхранявайте електроинструментите на места, където не могат да бъдат достигнати от деца. Не допускайте те да бъдат използвани от лица, които не са запознати с начина на работа с тях и не са прочели тези инструкции.** Когато са в ръцете на неопитни потребители, електроинструментите могат да бъдат изключително опасни.
- e) **Поддържайте електроинструментите си грижливо. Проверявайте дали подвижните звена функционират безукорно, дали не заклинват, дали има счупени или повредени детайли, които нарушават или изменят функциите на електроинструмента. Преди да използвате електроинструмента, се погрижете повредените детайли да бъдат ремонтирани.** Много от трудовите злополуки се дължат на недобре поддържани електроинструменти и уреди.

- f) **Поддържайте режещите инструменти винаги добре заточени и чисти.** Добре поддържаните режещи инструменти с остри ръбове оказват по-малко съпротивление и се водят по-леко.
- g) **Използвайте електроинструментите, допълнителните приспособления, работните инструменти и т.н., съобразно инструкциите на производителя. При това се съобразявайте и с конкретните работни условия, както и с дейности и процедури, евентуално предписани от различни нормативни документи.** Използването на електроинструменти за различни от предвидения от производителя приложения повишава опасността от възникване на трудови злополуки.
- 5) ПОДДЪРЖАНЕ**
- a) **Допускайте ремонтът на електроинструментите Ви да се извършва само от квалифицирани специалисти и само с използването на оригинални резервни части.** По този начин се гарантира съхраняване на безопасността на електроинструмента.

УКАЗАНИЯ ЗА БЕЗОПАСНА РАБОТА ЗА ЪГЛОШЛАЙФ

ОБЩИ

- Използвайте машината само за сухо шлифование/рязане
- Използвайте само фланците, доставени с машината
- Машината е забранена за употреба от лица под 16 години
- **Преди извършването на каквато и да било настройка или смяна на принадлежност винаги изваждайте щепсела от контакта на електрозахранването**

ДОПЪЛНИТЕЛНИ АКЕСОАРИ

- Използвайте само оригиналните акесоари на SKIL, които можете да получите от дилъра във Вашата област
- При монтиране и употреба на акесоари, не произведени от SKIL, следвайте инструкциите на съответния производител
- Използвайте само принадлежности, чиято допустима скорост на въртене е поголяма или равна на максималната скорост на въртене на празен ход на електроинструмента
- Не използвайте повредени, деформирани или вибриращи шлифоваци/режещи дискове
- За да избегнете счупване или напукване съхранявайте дисковете и работете с тях много внимателно
- Пазете акесоарите от удари и сътресения
- Не използвайте шлифоваци/режещи дискове с диаметър, по-голям от препоръчителния
- Използвайте шлифоваци/режещи дискове с такъв диаметър на отвора, който пасва на скрепяващия фланец G (4) без да се получава fuga; никога не използвайте намалители или други приспособления за напасване отвора на диска

- Никога не използвайте шлифовачи/режещи дискове с резбован отвор, при които дълбочината на резбата е по-малка от дължината на шпиндела
- Никога не използвайте аксесоари с резбован отвор, по-малък M14 x 21 mm

УПОТРЕБА НА ОТКРИТО

- Включете машината с помощта на електрически прекъсвач (FI) с максимален ток 30 mA
- Използвайте единствено удължаващия кабел, предназначен за употреба на открито и снабден с устойчива съединителна муфа

ПРЕДИ УПОТРЕБА

- Преди да използвате машината за първи път, се препоръчва да получите практическа информация относно работата с нея
- **Не обработвайте азбестосъдържащ материал** (азбестът е канцерогенен)
- **Ако вследствие на извършваната дейност може да се отдели вреден за здравето, леснозапалим или взривоопасен прах, предварително вземайте подходящи предпазни мерки** (някои прахове са канцерогенни); работете с дихателна маска и, ако е възможно, включете аспирационна уредба
- Внимавайте за скрити електрически кабели, газове или водни тръби; проверете предварително работната площ, например с помощта на метален детектор
- Внимавайте при рязане на греди, особено в носещи стени (при тези стени цепенатините са поставени по специален начин, указан в съответните регулации за страната; спазвайте тези регулации)
- Затегнете работните части при условие, че те не са стабилни
- Не затягвайте машината в преса или менгеме
- Използвайте напълно разгнати кабели с предпазни удължители за ток 16 Amps
- При работа носете защитни очила и ръкавици, тапи за уши ③ и устойчиви обувки; при необходимост използвайте престилка
- Винаги монтирайте помощната дръжка E ⑤ и защитния капак F ④; никога не работете с машината без тях
- При включване в контакта се уверете, че машината е изключена

ПРИ УПОТРЕБА

- Пазете кабела далеч от движещите се части; прехвърлете кабела отзад, далеч от машината
- Ако кабелът се повреди или среже по време на работа, не го докосвайте; веднага изключете щепсела; никога не използвайте машината с повреден кабел
- Натискайте бутона за заключване на шпиндела D ④ само когато шпинделът A ④ е в напълно спряно положение
- Пазете ръцете си от въртящите се части
- При работа с метали се отделят искри; препоръчва се в близост да няма други лица или лесновъзпламеними материали
- В случай на електрическа или механична повреда, веднага изключете машината и прекъснете захранването

- В случай, че режещият диск е блокиран, и се появят вибрации, веднага изключете машината
- В случай на прекъсване на захранването или неочаквано измъкване на щепсела, веднага превключете ключа за заключване/отключване H ④ в изключено положение (OFF), за да избегнете рестартиране на машината

- При спиране на машината, не прилагайте сила

СЛЕД РАБОТА

- Преди да поставите машината, изключете мотора и се уверете, че всички подвижни части са напълно неподвижни
- След като изключите машината, никога не прилагайте допълнителна сила за да спрете въртенето на аксесоарите

ЕЛЕМЕНТИ НА ИНСТРУМЕНТА ④

- A Шпиндел
- B Затягащ фланец
- C Гаечен ключ
- D Бутон за заключване на шпиндела
- E Помощна дръжка
- F Защитния капак
- G Скрепяващия фланец
- H Включващ/изключващ заключващия ключ

УПОТРЕБА

- Монтиране на аксесоарите ④
 - ! **изключете щепсела**
 - почистете шпиндела A и всички части, които ще се монтира
 - с ключа C притегнете фланеца B като натискате бутона за заключване на шпиндела D
 - за премахване на аксесоари следвайте обратния ред
 - ! **по време на работа режещите дискове се загряват; не ги докосвайте докато не изстинат напълно**
 - ! **когато използвате аксесоарите за почистване с пясък, винаги монтирайте допълнителната поддържаща подложка**
 - ! **никога не използвайте режещия диск без залепения върху него етикет**
- Помощна дръжка ⑤
 - ! **изключете щепсела**
 - завъртете помощната дръжка E наляво или надясно в зависимост от това, какво ще извършвате
- Защитен капак
 - ! **изключете щепсела**
 - отворете защитния капак F развивайки болта
 - поставете защитния капак F върху тази част от главата на машината, където се намира шпиндела и го завъртете в съответната посока (в зависимост от това, какво ще извършвате)
 - закрепете защитния капак F затягайки болта
 - ! **уверете се затворения край на защитния капак е насочен към оператора**

- Преди употреба
 - уверете се, че аксесоарите са правилно поставени и здраво затегнати
 - проверете дали аксесоарите се въртят свободно като ги завъртите с ръка
 - предварително тествайте машината, като я включите най-малко за 30 секунди на максимална скорост
 - в случай на силни вибрации или други неизправности, веднага спрете машината за установяване на повредата
- Включете/изключете ключа H ⑥
 - превключете машината ⑥a
 - ! **при включване на машината внимавайте за внезапни удари или тласъци**
 - ! **преди аксесоарът да докосне работната площ, машината трябва да работи с максимална скорост**
 - заключете ключа ⑥b
 - отключете ключа/машината се изключва ⑥c
 - ! **преди да изключите машината, трябва да я вдигнете от работната повърхност**
 - ! **аксесоарите продължават да се въртят известно време след изключване на машината**
- Електронно плавно стартиране

Осигурява плавно достигане на максималната скорост без рязко движение при включване на машината
- Електронно поддържане на постоянна скорост

При увеличаване на товара поддържа постоянна скорост
- Шлифование ⑦
 - с умерен натиск движете машината напред-назад
 - ! **никога не използвайте режещ диск за странично шлифование**
- Рязане ⑧
 - не навеждайте машината при рязане
 - за да избегнете неочаквано отскачане на машината встрани, винаги движете машината в посока на стрелката, която се намира върху главата
 - не прилагайте натиск върху машината; оставете движението на режещия диск да извършва процеса
 - работната скорост на режещия диск зависи от материала, който трябва да се отреже
 - не спирайте режещия диск с външен натиск
- Управление на машината
 - винаги дръжте машината здраво с двете ръце, така че през цялото време да сте в състояние да я управлявате сигурно
 - снабдете се с устойчива стойка
 - обърнете внимание на посоката на въртене; винаги дръжте машината така, че искрите и прахът от рязане/шлифование да се разпръсват далеч от тялото
 - следете вентилационните отвори да е винаги чист и непокрит

УКАЗАНИЯ ЗА РАБОТА

- Вместо фланеца B ④ може да се използва бързо затягащият се фланец "CLIC" J ④ (аксесоари SKIL 2610388766); в този случай режещия/шлифовач диск могат да се монтират без помощта на допълнителни ключове

ГАРАНЦИЯ / ОПАЗВАНЕ НА ОКОЛНАТА СРЕДА

- Поддържайте винаги електроелектроинструмента и захранващия кабел чисти (особено вентилационните отвори)
 - ! **не се опитвайте да почиствате машината като пъхате заострени предмети в вентилационните отвори**
 - ! **преди почистване изключете щепсела**
- Това изделие на SKIL е с гаранция в съответствие със законно установените/специфични за страната правила; гаранцията не се отнася до повреди, дължащи се на нормално износване, претоварване или неправилно боравене с електроинструмента
- В случай на рекламация занесете електроинструмента в неразглобен вид заедно с доказателство за покупката му в търговския обект, откъдето сте го закупили, или в най-близкия сервиз на SKIL (адресите, както и схемата за сервизно обслужване на електроинструмента, можете да намерите на адрес www.skileurope.com)
- **Не извърляйте електроуредите, приспособленията и опаковките заедно с битови отпадъци** (само за страни от ЕС)
 - съобразно Директивата на ЕС 2002/96/EG относно износени електрически и електронни уреди и отразяването ѝ в националното законодателство износените електроуреди следва да се събират отделно и да се предават за рециклиране според изискванията за опазване на околната среда
 - за това указва символът ⑨ тогава когато трябва да бъдат унищожени

SK

Uhlová brúška

9295

ÚVOD

- Tento nástroj je určený na brúsenie, rezanie a odstraňovanie kovových a kamenných materiálov bez použitia vody; nástroj je možné s patričným príslušenstvom použiť aj na brúsenie a pieskovanie
- Prečítajte si a uschovajte tento návod na obsluhu ②

TECHNICKÉ PODMIENKY ①

BEZPEČNOSTNÉ POKYNY

VŠEOBECNÉ BEZPEČNOSTNÉ POKYNY

DÔLEŽITÉ UPOZORENIE! Prečítajte si všetky pokyny.

Chyby pri dodržiavaní nasledujúcich pokynov môžu mať za následok zásah elektrickým prúdom, požiar a/alebo ťažké poranenia. Pojem "elektrické náradie" používaný v nasledujúcom texte sa vzťahuje na ručné elektrické náradie napájané zo siete (prípojnou šnúrou).

1) PRACOVISKO

- a) **Udržiavajte svoje pracovisko čisté a upratané.** Neporiadok na pracovisku a neosvetlené časti pracoviska môžu viesť k úrazom.
- b) **Nepracujte elektrickým náradím v prostredí ohrozenom výbuchom, v ktorom sa nachádzajú horľavé kvapaliny, plyny alebo prach.** Elektrické náradie produkuje iskry, ktoré môžu prach alebo pary zapáliť.
- c) **Deti a iné osoby udržiavajte počas práce od ručného elektrického náradia v dostatočnej vzdialenosti.** V prípade odpútania Vašej pozornosti by ste mohli stratiť kontrolu nad náradím.

2) ELEKTRICKÁ BEZPEČNOSŤ

- a) **Zástrčka prírodnej šnúry sa musí hodiť do napájacej zásuvky. Zástrčka sa v žiadnom prípade nesmie meniť. Pri uzemnených spotrebičoch nepoužívajte spolu s nimi žiadne adaptéry.** Nezmenená zástrčka a vhodná zásuvka znižujú riziko zásahu elektrickým prúdom.
- b) **Vyhýbajte sa telesnému kontaktu s povrchovými plochami uzemnených spotrebičov, ako sú elektrické rúry, vyhrievacie telesá, sporáky a chladničky.** Keď je Vaše telo uzemnené, riziko zásahu elektrickým prúdom je vyššie.
- c) **Chráňte ručné elektrické náradie pred dažďom a vlhkom.** Vniknutie vody do ručného elektrického náradia zvyšuje riziko zásahu elektrickým prúdom.
- d) **Nepoužívajte prírodnú šnúru na prenášanie náradia, na jeho vešanie, ani za ňu nevyťahujte zástrčku zo zásuvky. Prírodnú šnúru chráňte pred horúčavou, olejom, ostrými hranami alebo pohybujúcimi sa časťami náradia.** Poškodené alebo zauzlené šnúry zvyšujú riziko zásahu elektrickým prúdom.
- e) **Ak pracujete s ručným elektrickým náradím vonku, používajte len také predĺžovacie šnúry, ktoré sú schválené pre použitie vo vonkajších priestoroch.** Použitie predĺžovacej šnúry určenej do vonkajšieho prostredia znižuje riziko zásahu elektrickým prúdom.

3) BEZPEČNOSŤ OSÔB

- a) **Buďte pozorní, dávajte pozor na to, čo robíte a k práci s elektrickým náradím pristupujte rozumne. Nepoužívajte elektrické náradie, keď ste unavení alebo keď ste pod vplyvom drog, alkoholu alebo liekov.** Chvíľa nepozornosti pri používaní náradia môže viesť k vážnym poraneniam.

- b) **Noste osobné ochranné pomôcky, ochranný odev a vždy majte nasadené ochranné okuliare.** Nosenie pracovného odevu a používanie ochranných pomôcok ako ochrannej dýchacej masky, bezpečnostných protišmykových topánok, prilby alebo chrániča sluchu, podľa druhu elektrického náradia, znižuje riziko poranenia.
 - c) **Zabráňte neúmyselnému zapnutiu elektrického náradia. Skôr ako vložíte zástrčku do zásuvky, presvedčte sa, či je vypínač v polohe vypnuté "VYP".** Ak budete mať počas prenášania elektrického náradia prst na vypínači, alebo ak budete prenášať náradie pripojené na zdroj elektrického prúdu, môže to mať za následok nehodu.
 - d) **Skôr ako ručné elektrické náradie zapnete, odstráňte nastavovacie a montážne nástroje.** Nástroj alebo kľúč, ktorý sa nachádza v pohyblivej časti náradia, môže spôsobiť poranenie.
 - e) **Neprečeňte sa. Zabezpečte si pevný postoj a neprestajne udržiavajte rovnováhu.** Takto budete môcť ručné elektrické náradie v neočakávaných situáciách lepšie kontrolovať.
 - f) **Pri práci noste vhodný pracovný odev. Nenoste široké odevy a nemajte na sebe šperky. Dbajte na to, aby ste mali vlasy, odev a rukavice v dostatočnej vzdialenosti od pohybujúcich sa častí náradia.** Pohybujúce sa časti náradia by mohli zachytiť voľné oblečenie, šperky alebo dlhé vlasy.
 - g) **Ak možno namontovať zariadenie na odsávanie alebo zachytávanie prachu, presvedčte sa, či je pripojené a správne používané.** Používanie týchto zariadení znižuje ohrozenie osôb prachom.
- ### 4) STAROSTLIVÉ ZAOBCHÁDZANIE S ELEKTRICKÝM NÁRADÍM A JEHO POUŽÍVANIE
- a) **Náradie nepreťažujte. Pre svoju prácu používajte určené elektrické náradie.** Pomocou vhodného ručného elektrického náradia budete môcť v uvedenom rozsahu výkonu pracovať lepšie a bezpečnejšie.
 - b) **Nepoužívajte žiadne ručné elektrické náradie, ktoré má pokazený vypínač.** Ručné elektrické náradie, ktoré sa už nedá zapínať alebo vypínať, je nebezpečné a treba ho dať opraviť.
 - c) **Skôr ako budete náradie nastavovať alebo meniť príslušenstvo, resp. pred každým odložením náradia vyťahnite zástrčku zo zásuvky.** Toto bezpečnostné opatrenie zabraňuje neúmyselnému spusteniu náradia.
 - d) **Nepoužívajte ručné elektrické náradie uschovávať mimo dosahu detí. Nedopusťte, aby ručné elektrické náradie používali osoby, ktoré s ním nie sú dôkladne oboznámené, alebo ktoré si neprečítali tento Návod na použitie.** Ak ručné elektrické náradie používajú neskúsené osoby, stáva sa nebezpečným nástrojom.
 - e) **Elektrické náradie starostlivo ošetrujte. Skontrolujte, či pohyblivé súčiastky náradia bezchybne fungujú a neblokujú a či nie sú zlomené alebo poškodené niektoré súčiastky, ktoré by mohli negatívne ovplyvniť fungovanie ručného elektrického náradia. Pred použitím ručného elektrického náradia dajte poškodené súčiastky opraviť.** Nejedna úrava bol spôsobená zle udržiavaným náradím.

- f) **Používané nástroje udržiavajte ostré a čisté.** Starostlivo ošetrované nástroje s ostrými reznými hranami sa menej často zablokujú a ich vedenie je podstatne ľahšie.
- g) **Používajte ručné elektrické náradie, príslušenstvo, pracovné nástroje a pod. podľa týchto pokynov a podľa predpisu špeciálne pre tento výrobok. Zohľadnite pritom konkrétne pracovné podmienky a činnosť, ktorú máte vykonať.** Používanie ručného elektrického náradia na iné ako určené účely môže viesť k nebezpečným situáciám.
- 5) **SERVIS**
- a) **Ručné elektrické náradie zverte do opravy len kvalifikovanému personálu a používajte len originálne náhradné súčiastky.** Tým sa zabezpečí zachovanie bezpečnosti ručného elektrického náradia.

BEZPEČNOSTNÉ POKYNY PRE UHLOVÉ BRÚSKY

VŠEOBECNE

- Tento nástroj používajte len na suché brúsenie/rezanie
- Používajte len príruby, ktoré sú dodané s týmto nástrojom
- Tento nástroj by nemali používať osoby mladšie ako 16 rokov
- **Pri nastavovaní alebo výmene príslušenstva vždy vytiahnite prívodný kábel zo zásuvky**

PRÍSLUŠENSTVO

- Používajte originálne SKIL príslušenstvo, ktoré môžete získať od vášho dílera SKIL
- Pri montáži/používaní iného príslušenstva ako SKIL si preštudujte pokyny daného výrobcu
- Používajte iba príslušenstva, u ktorých hodnota prípustných obrátok zodpovedá minimálne najvyšším obrátkam náradia
- Nepoužívajte poškodené, zdeformované alebo vibrujúce brúsne/rezacie kotúče
- S brúsnymi/rezacími kotúčmi narábajte opatrne a starostlivo ich skladujte, aby ste ich nevydrtiepli a neodlúpili
- Chráňte kotúče pred nárazom, otrasom a masťotou
- Nepoužívajte brúsne/rezacie kotúče, ktoré sú väčšie ako maximálna doporučená veľkosť
- Používajte len také brúsne/rezacie kotúče, ktoré majú taký priemer otvoru, ktorý pasuje do upínacej príruby G ④ bez toho, aby ich bolo potrebné prispôbovať; nikdy nepoužívajte reduktory alebo adaptéry, aby ste mohli založiť brúsne/rezacie kotúče s väčším otvorom
- Nikdy nepoužívajte brúsne/rezacie kotúče, ktoré majú otvor so závitom, ktorý nie je dostatočne dlhý na to, aby vyhovoval dĺžke vretena nástroja
- Nikdy nepoužívajte príslušenstvo so "slepým" otvorom so závitom, ktorý je menší ako M14 x 21 mm

POUŽITIE VONKU

- Pripojte nástroj cez stykačový istič poruchového prúdu (FI) s maximálnym spúšťacím prúdom 30 mA
- Používajte len také predlžovacie dnuhy, ktoré sú určené na vonkajšie použitie, a ktoré majú vodotesnú zástrčku na pripojenie

PRED POUŽITÍM

- Pred použitím nástroja po prvý krát sa doporučuje obdržať praktické informácie
- **Neobrábajte materiál, ktorý obsahuje azbest** (azbest sa považuje za rakovinotvorný materiál)
- **Ak by pri práci mohol vzniknúť zdravotne škodlivý, horľavý alebo výbušný prach, vykonajte potrebné ochranné opatrenia** (niektoré druhy prachu sa považujú za rakovinotvorné); noste ochrannú dýchaciu masku a v prípade možnosti pripojenia používajte aj zariadenie na odsávanie prachu a triesok
- Buďte opatrný a dajte si pozor na skryté elektrické káble a na vodovodné a plynové potrubia; prekontrolujte si pracovný priestor napríklad s detektorom kovov
- Buďte opatrný pri rezaní podpier, najmä pri rezaní oporných múrov (drážky v oporných múroch sú predmetom špecifických noriem platných pre danú krajinu; tieto normy sa musia za každých okolností preštudovať)
- V prípade, že kusy, s ktorými budete pracovať neostanú stáť svojou vlastnou váhou, tak ich upevnite
- Neupevňujte nástroj do zveráka
- Používajte úplne odmotanú a bezpečnú predlžovaciu šnúru s kapacitou 16 A
- Používajte ochranné okuliare a rukavice, tlmíče hluku na uši ③ a ak treba tak aj pevnú pracovnú obuv a zásteru
- Vždy namontujte pomocnú rúčku E ⑤ a ochranný kryt F ④; nástroj bez nich nikdy nepoužívajte
- Pri zapínaní do zástrčky sa vždy uistite, že nástroj je vypnutý

POČAS PRÁCE

- Elektrickú šnúru udržiajte vždy mimo pohybujúcich sa častí nástroja; elektrickú šnúru vždy smerujte dozadu, mimo nástroja
- Ak sa elektrická šnúra pri práci poškodí, alebo prereže, neodotýkajte sa jej a okamžite ju zo zástrčky odpojte; nikdy nepoužívajte nástroj s poškodenou elektrickou šnúrou
- Gombík D ④ na zaistenie vretena stlačte až keď vreteno A ④ zastane
- Nepribližujte sa rukami k otáčajúcemu sa príslušenstvu
- Pri brúsení kovov vznikajú iskry; odstráňte z pracovného priestoru horľavé materiály a šaljšie osoby
- V prípade elektrickej alebo mechanickej poruchy okamžite vypnite nástroj a odpojte zo zástrčky
- V prípade, že sa zablokuje rezací kotúč, čo má za následok mykanie a šklbanie nástroja, okamžite nástroj vypnite
- V prípade prerušenia prúdu alebo pri náhodnom vytiahnutí sa šnúry zo zástrčky, okamžite vypnite vypínač zapnuté/vypnuté (on/off) H ④ a dajte ho do polohy vypnuté (OFF), aby ste zabránili náhodnému nekontrolovanému spusteniu nástroja
- Na nástroj nevyvíjajte taký tlak, ktorý spôsobí jeho zastavenie

PO PRÁCI

- Predtým, ako nástroj položíte, vypnite motor a presvedčte sa, že vdetky pohybujúce sa časti úplne stoja
- Po vypnutí nástroja nikdy nezastavujte rotáciu príslušenstva tak, že ho budete zastavovať priechnou silou proti nemu

ČASTI NÁSTROJA ④

- A Vreteno
- B Upínacia príruha
- C Maticový kľúč
- D Gombík na zaistenie vretena
- E Pomocná rukoväť
- F Ochranný kryt
- G Montážna príruha
- H Blokovací vypínač na zapínanie/vypínanie

POUŽITIE

- Upínacie zariadenia ④
 - ! **odpojte zo zástrčky**
 - vyčistite vreteno A a všetky časti, ktoré sa montujú
 - dotiahnite upínaciu príruhu B kľúčom C, pričom stláčate gombík D na zaistenie vretena
 - pri demontáži príslušenstva postupujte opačne
 - ! **počas práce sú brúsne/rezacie kotúče veľmi horúce; nedotýkajte sa ich, až kým nevychladnú**
 - ! **keď používate príslušenstvo na pieskovanie, vždy namontujte prídavnú podložku**
 - ! **nikdy nepoužívajte brúsne/rezacie kotúče bez nálepky, ktorá je na ne nalepená**
- Pomocná rúčka ⑤
 - ! **odpojte zo zástrčky**
 - priskrutkujte pomocnú rúčku E na pravú alebo na ľavú stranu nástroja (podľa práce, ktorá sa má vykonávať)
- Ochranný kryt
 - ! **odpojte zo zástrčky**
 - uvoľnite ochranný kryt F odťahnutím skrutky
 - umiestnite ochranný kryt F na obrubu vretena hlavou nástroja a natočte ho do potrebnej polohy (podľa práce, ktorá sa má vykonávať)
 - upevnite ochranný kryt F pritiahnutím skrutky
 - ! **zabezpečte, aby uzatvorená strana ochranného krytu bola vždy natočená k operátorovi**
- Pred použitím nástroja
 - zabezpečte, aby príslušenstvo bolo správne namontované a pevne utiahnuté
 - skontrolujte či sa príslušenstvo vopne pohybuje tak, že ho pootočíte rukou
 - otestujte beh nástroja tak, že ho v bezpečnej polohe necháte bežať najmenej 30 sekúnd bez záťaže pri najvyšších otáčkach
 - v prípade, že sa objavia veľké vibrácie alebo iné vady, okamžite nástroj zastavte a skontrolujte ho, aby ste určili príčinu závady
- Blokovací vypínač na zapínanie/vypínanie (On/Off) H ⑥
 - zapnite nástroj ⑥a
 - ! **dajte si pozor pred náhlym nárazom, ktorý vznikne pri zapnutí nástroja**
 - ! **predtým, ako sa príslušenstvo dostane na miesto obrábania, mal by nástroj bežať na plné otáčky**
 - vypínač zablokujte ⑥b
 - odblokujte vypínač/vypnite nástroj ⑥c
 - ! **pred vypnutím nástroja by ste ho mali zdvihnúť z miesta obrábania**
 - ! **príslušenstvo ešte chvíľu po vypnutí nástroja otáča**


- Elektronické jemné spustenie
 - Zaisťuje hladké dosiahnutie maximálnych otáčok bez náhleho vplyvu pri zapnutí nástroja
- Elektronická konštantná rýchlosť
 - Udržiava rýchlosť na konštantnej úrovni pri zvyšovaní záťaže
- Brúsenie ⑦
 - pohybujte nástrojom dozadu a dopredu s miernym tlakom
 - ! **nikdy nepoužívajte rezacie kotúče na bočné brúsenie**
- Rezanie ⑧
 - pri rezaní nenakláňajte nástroj
 - nástrojom pohybujte vždy v rovnom smere, ako ukazuje dípka na hlave nástroja, aby ste zabránili tomu, že sa nástroj z rezu vytlačí nekontrolovaným spôsobom
 - netlačte na nástroj; nechajte pracovať rýchlosť rezacieho kotúča
 - pracovná rýchlosť rezacieho kotúča závisí od materiálu, ktorý sa reže
 - nebrzdte rezacie disky bočným tlakom
- Držanie a vedenie nástroja
 - vždy držte nástroj pevne obidvomi rukami, aby ste mali nástroj vždy plne pod kontrolou
 - zaujmite bezpečnú polohu
 - venujte pozornosť smeru otáčania; nástroj držte vždy tak, aby iskry a prach z brúsenia/rezania dopadali mimo vášho tela
 - vetracie štrbiny udržiavajte čisté a nezakryté

RADA NA POUŽITIE

- Namiesto príruhy B ④ sa môže použiť rýchloupínacia príruha "CLIC" J ④ (SKIL príslušenstvo 2610388766); brúsne/rezacie kotúče sa môžu potom namontovať bez použitia doplnkových kľúčov

ZÁRUKA / ŽIVOTNÉ PROSTREDIE

- Nástroj a sietovú šnúru udržiavajte stále čistou (zvlášť vetracie štrbiny)
 - ! **nepokúšajte sa ich čistiť dpicacími predmetmi tak, že ich cez vetracie štrbiny budete prestrkávať**
 - ! **pred čistením odpojte z elektrickej siete**
- Tento SKIL výrobok je zaručený v súlade so zákonnými/ pre krajiny špecifickými reguláciami; poškodenie následkom normálneho použitia, preťaženia, alebo nesprávneho zaobchádzania nebude zárukou kryté
- V prípade sťažnosti pošlite nástroj bez rozmontovania spolu s dôkazom o kúpe; vášmu dilerovi alebo do najbližšieho servisného strediska SKIL (zoznam adries servisných stredísk a servisný diagram nástroja sú uvedené na www.skileurope.com)

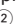
- **Električké náradie, príslušenstva a balenia nevyhadzujte do komunálneho odpadu** (len pre štáty EÚ)
 - podľa európskej smernice 2002/96/EG o nakladaní s použitými elektrickými a elektronickými zariadeniami a zodpovedajúcich ustanovení právnych predpisov jednotlivých krajín sa použité elektrické náradie musí zbierať oddelene od ostatného odpadu a podrobiť ekologicky šetrnej recyklácii
 - pripomenie vám to symbol , keď ju bude treba likvidovať

HR

Kutna brusilica

9295

UVOD

- Ovaj je uređaj predviđen za grubo brušenje, rezanje i skidanje srha na metalnim i kamenim materijalima, bez hlađenja vodom; s prikladnim priborom uređaj se može koristiti i za normalno brušenje
- Molimo pažljivo pročitati ove upute i spremite ih na sigurno mjesto 

TEHNIČKI PODACI

SIGURNOST

OPĆE UPUTE ZA SIGURAN RAD

PAŽNJA! Sve upute treba pročitati.

Pogreška kod pridržavanja dolje navedenih uputa može dovesti do električnog udara, požara i/ili teških ozljeda. Dalje korišten pojam "Električni alat" odnosi se na električne alate s napajanjem iz električne mreže (s priključnim kabelom).

1) RADNO MJESTO

- Vaše radno područje održavajte čistim i urednim.** Nered i neosvijetljeno radno područje mogu dovesti do nezgoda.
- S uređajem ne radite u okolini ugroženoj eksplozijom, u kojoj se nalaze zapaljive tekućine, plinovi ili prašina.** Električni alati proizvode iskre koje mogu zapaliti prašinu ili pare.
- Djecu i ostale osobe držite dalje tijekom korištenja električnog alata.** Ako bi skrenuli pozornost sa posla mogli bi izgubiti kontrolu nad uređajem.

2) ELEKTRIČNA SIGURNOST

- Priključni utikač uređaja treba odgovarati utičnici. Na utikaču se ni u kojem slučaju ne smiju izvoditi izmjene. Ne koristite adapterske utikače zajedno sa zaštitno uzemljenim uređajima.** Originalni utikač i odgovarajuće utičnice smanjuju opasnost od električnog udara.
- Izbjegavajte dodir tijela s uzemljenim površinama kao što su cijevi, centralno grijanje, štednjaci i hladnjaci.** Postoji povećana opasnost od električnog udara ako je vaše tijelo uzemljeno.

- Držite uređaj dalje od kiše ili vlage.** Prodiranje vode u električni uređaj povećava opasnost od električnog udara.
- Priključni kabel ne koristite za nošenje, vješanje ili za izvlačenje utikača iz utičnice. Držite kabel dalje od izvora topline, ulja, oštih rubova ili pomičnih dijelova uređaja.** Oštećen ili usukan kabel povećava opasnost od električnog udara.
- Ako s električnim uređajem radite na otvorenom, koristite samo produžni kabel odobren za uporabu na otvorenom.** Primjena produžnog kabela prikladnog za uporabu na otvorenom smanjuje opasnost od električnog udara.

3) SIGURNOST LJUDI

- Budite oprezni, pazite što činite i postupajte razumno kod rada s električnim alatom. Ne koristite uređaj ako ste umorni ili pod utjecajem opojnih sredstava, alkohola ili lijekova.** Trenutak nepažnje kod uporabe uređaja može dovesti do ozbiljnih ozljeda.
- Nosite sredstva osobne zaštite i uvijek zaštitne naočale.** Nošenje sredstava osobne zaštite, kao što je zaštitna maska, sigurnosne cipele koje ne klize, zaštitne kacige ili štitnika za sluh, ovisno od vrste i primjene električnog alata, smanjuje opasnost od nezgoda.
- Izbjegavajte nehotično puštanje u rad. Provjerite da li se prekidač nalazi u položaju 'ISKLJUČENO', prije nego što utikač utaknete u utičnicu.** Ako kod nošenja uređaja prst držite na prekidaču ili je uređaj uključen i priključen na električnu mrežu, to može dovesti do nezgoda.
- Prije nego što uređaj uključite, uklonite alate za podešavanje ili vijčane ključeve.** Alat ili ključ koji se nalazi u rotirajućem dijelu uređaja može dovesti do nezgoda.
- Ne precjenjujte svoje sposobnosti. Zauzmite siguran i stabilan položaj tijela i održavajte u svakom trenutku ravnotežu.** Na taj način možete uređaj bolje kontrolirati u neočekivanim situacijama.
- Nosite prikladnu odjeću. Ne nosite široku odjeću ili nakit. Neka vaša kosa, odjeća i rukavice budu što dalje od pomičnih dijelova.** Mlohavu odjeću, nakit ili dugu kosu mogu zahvatiti pomični dijelovi uređaja.
- Ako se mogu montirati naprave za usisavanje i hvatanje prašine, provjerite da li su iste priključene i da li se pravilno koriste.** Korištenjem ovih naprava smanjuje se ugroženost od prašine.

4) BRIŽLJIVO MANIPULIRANJE I UPORABA ELEKTRIČNIH ALATA

- Ne preopterećujte uređaj. Koristite za vaše radove za to predviđen električni alat.** S odgovarajućim električnim alatom radit ćete bolje i sigurnije, u navedenom području učinkava.
- Ne koristite električni alat čiji je prekidač neispravan.** Električni alat koji se više ne može uključiti ili isključiti, opasan je i treba se popraviti.
- Izvcvucite utikač iz utičnice prije nego što pristupite podešavanjima na uređaju, izmjeni pribora ili prije nego što odložite uređaj.** Ovim mjerama opreza spriječit će se nehotično pokretanje uređaja.

- d) **Nekorištene električne alate spremite izvan dosega djece. Ne dopustite da uređaj koriste osobe koje s njim nisu upoznate ili koje nisu pročitale upute za uporabu.** Električni alati su opasni ako ih koriste neiskusne osobe.
- e) **Uređaj održavajte s pažnjom. Kontrolirajte da li pomični dijelovi uređaja besprijekorno rade i da nisu zaglavljani, te da li su dijelovi polomljeni ili tako oštećeni da negativno djeluju na funkciju uređaja. Popravite oštećene dijelove prije uporabe uređaja.** Mnoge nezagode imaju svoj uzrok u loše održanim uređajima.
- f) **Rezne alate održavajte ostrim i čistim.** Pažljivo održavani rezni alati s ostrim oštricama neće se zaglaviti i lakši su za vođenje.
- g) **Koristite električne alate, pribor, radne alate, itd., prema ovim uputama, i onako kako je to propisano za ovaj specijalni tip uređaja. Uzmite kod togpa u obzir radne uvjete i izvođene radove.** Uporaba električnih alata za neke druge primjene različite od predviđenih, može dovesti do opasnih situacija.

5) SERVIS

- a) **Popravak uređaja prepustite samo kvalificiranom stručnom osoblju i samo s originalnim rezervnim dijelovima.** Na taj će se način postići održanje stalne sigurnosti uređaja.

UPUTE ZA SIGURAN RAD S KUTNOM BRUSILICOM

OPĆENITO

- Ovaj uređaj služi samo za suho grubo brušenje/rezanje
- Uređaj koristiti samo sa isporučenom prirubnicom
- Korisnici ovog uređaja trebaju biti stariji od 16 godina
- **Prije svih radova održavanja, podešavanja ili izmjene alata i pribora treba izvući utikač iz mrežne utičnice**

PRIBOR

- Koristite samo originalni pribor koji se može dobiti u specijaliziranoj trgovačkoj mreži ili u SKIL ugovornim servisnim radionicama
- Kod primjene proizvoda drugih proizvođača, molimo pridržavati se njihovih uputa za uporabu
- Upotrebljavajte samo dodatnu opremu dopuštene brzine koja odgovara barem najvećoj brzini alata kad radi bez opterećenja
- Ne smiju se koristiti napukle, deformirane ili vibrirajuće brusne ploče za grubo brušenje/rezanje
- S brusnim pločama za grubo brušenje/rezanje treba oprezno postupati, kako bi se izbjeglo njihovo oštećenje
- Pribor treba zaštititi od udaraca i zagađenja masnoćama
- Brusna ploča za grubo brušenje/rezanje koja je veća od max. preporučene dimenzije ne smije se koristiti
- Koristite samo brusne ploče za grubo brušenje/rezanje s promjerom otvora koji bez zazora sjeda na prirubnicu G ④; nikada ne koristite redukcijske komade ili adaptere, kako bi se prilagodila brusna ploča s većim otvorom
- Nikada ne koristite brusne ploče za grubo brušenje/rezanje s otvorom čija dužina navoja minimalno ne odgovara dužini navojnog vretena
- Nikada ne koristite brusne ploče sa zatvorenim navojem ispod veličine M14 x 21 mm

UPORABA NA OTVORENOM

- Uređaj priključiti preko zaštitne sklopke struje kvara (FI), s okidačkom strujom od max. 30 mA
- Koristiti samo produžni kabel predviđen za primjenu na otvorenom i s priključnim mjestom zaštićenim od prskanja

PRIJE UPORABE

- Prije prve uporaba uređaja preporučuje se zatražiti praktične informacije
- **Ne obrađujte materijal koji sadrži azbest** (azbest se smatra kancerogenim)
- **Poduzmite mjere zaštite ako kod rada može nastati prašina koja je štetna za zdravlje, zapaljiva ili eksplozivna** (neke prašine se smatraju kancerogenima); nosite masku za zaštitu od prašine i koristite usisavanje prašine/strugotine ako se može priključiti
- Paziti na skrivene električne vodove te plinske i vodovodne cijevi; provjeriti radno područje, npr. detektorom za metale
- Kod izrezivanja otora treba se oprezno postupati, osobito u nosivim zidovima (uzdužne rupe u nosivim zidovima su predmet lokalnih propisa kojih se treba strogo pridržavati)
- Izradak stegnuti, ukoliko nije uvršćen svojom vlastitom težinom
- Uređaj se ne smije stezati u škripac
- Kod korištenja produžnog kabela treba paziti da bude potpuno odmotan i da ima kapacitet od 16 A
- Nositi zaštitne naočale, rukavice, štitnike za sluh ③; kada je potrebno, također nosite i zaštitnu pregaču
- Uvijek ugraditi bočnu ručku E ⑤ štitnik F ④; uređaj nikada ne koristiti bez njih
- Kod priključka osigurati da uređaj bude isključen

TIJEKOM UPORABE

- Kabel uvijek držati dalje od rotirajućih dijelova uređaja; kabel povlačiti iza uređaja
- Ako bi se kabel oštetio kod rada ili odrezao, ne dirati nego odmah izvući mrežni utikač; uređaj nikada ne koristiti s oštećenim kabelom
- Pritisnite gumb za aretiranje vretena D ④ samo kada je vreteno A ④ u mirovanju
- Ruke držati dalje od rotirajućeg pribora
- Kod brušenja metala nastaju iskre; držite ostale osobe kao i zapaljive materijale što dalje od vašeg radnog područja
- U slučaju električne ili mehaničke neispravnosti, uređaj odmah isključiti i izvući mrežni utikač
- Ukoliko je brusna ploča za grubo brušenje blokirana i to dovodi do sila trzanja na uređaju, uređaj odmah isključiti
- Kod prekida opskrbe strujom ili nehotičnog izvlačenja utikača iz mrežne utičnice, odmah treba blokirati prekidač za uključivanje/isključivanje H ④ i prebaciti ga u položaj OFF, kako bi se spriječilo nekontrolirano pokretanje uređaja
- Ne djelovati tolikim pritiskom na uređaj kod rada da se on zaustavi pod opterećenjem

NAKON UPORABE

- Čim se udaljite od uređaja trebate ga isključiti i da se brusna ploča zaustavi do stanja mirovanja
- Brusna ploča se nakon isključivanja uređaja ne smije kočiti bočnim pritiskom

DIJELOVI ALATA ④

- A Vreteno
- B Stezna prirubnica
- C Stezač
- D Gumb za aretiranje vretena
- E Pomoćna drška
- F Sigurnosni štitnik
- G Montažna prirubnica
- H Blokadni prekidač za uključivanje/isključivanje

PRIMJENA

- Montirajte/skinite brusnu ploču ④
 - ! **izvući mrežni utikač**
 - očistiti vreteno A i sve montirane dijelove
 - steznu maticu B stegnuti račvastim ključem C, uz pritisak na gumb za aretiranje vretena D
 - kod skidanja pribora postupiti obrnutim redoslijedom
 - ! **brusne ploče za grubo brušenje/rezanje se tijekom uporabe jako zagriju; ne dirati ih nego ih ostaviti da se ohlade**
 - ! **kada koristite pribor za brušenje montirajte uvijek brusni tanjur**
 - ! **brusnu ploču za grubo brušenje/rezanje nikada ne koristiti bez štitnika**
- Pomoćna drška ⑤
 - ! **izvući mrežni utikač**
 - zavijte pomoćnu dršku E na desnu ili lijevu stranu alata (ovisno o poslu koji ćete obavljati)
- Štitnik
 - ! **izvući mrežni utikač**
 - otvorite štitnik otpuštanjem vijka
 - štitnik F smjestite na prsten vretena glave alata i okrenite u željeni položaj (ovisno o poslu koji ćete obavljati)
 - zatezanjem vijka učvrstite štitnik F
 - ! **osigurati da zatvorena strana štitnika bude uvijek okrenuta prema osobi koja radi s uređajem**
- Prije uporabe vašeg uređaja
 - osigurajte da brusna ploča bude ispravno montirana i čvrsto stegnuta
 - rukom provjeriti slobodnu rotaciju brusne ploče
 - provesti probni rad, tako da brusna ploča može najmanje 30 sekundi rotirati s najvećom brzinom
 - kod većih vibracija ili drugih neispravnosti, uređaj odmah isključiti i pronaći moguće uzroke
- Prekidač za aretiranje uključivanja/isključivanja H ⑥
 - uređaj uključiti ⑥a
 - ! **treba paziti na iznenadni trzaj kod uključivanja uređaja**
 - ! **prije nego što brusna ploča zareže izradak, treba se postići max. broj okretaja**
 - prekidač B aretirati ⑥b
 - osloboditi aretiranje/isključiti uređaj ⑥c
 - ! **prije isključivanja uređaja trebate ga odmaknuti od izratka**
 - ! **nakon isključivanja uređaja brusna ploča se još uvijek okreće nekoliko sekundi**

- Elektroničko meko pokretanje
Osigurava dosizanje maksimalne brzine bez trenutačnog trzaja kod uključivanja uređaja
- Elektronička konstantna brzina
Kod povećanog opterećenja održava brzinu na konstantnom nivou
- Rezanje ⑦
 - uređaj umjerenim pritiskom pomicati naprijed i natrag
 - ! **brusna ploča za rezanje ne smije se koristiti za bočno brušenje**
- Grubo brušenje ⑧
 - uređaj ne nagibati
 - uređaj uvijek voditi u istom smjeru, kako prikazuje strelica na glavi uređaja, kako bi se spriječilo da se uređaj na nekontroliran način istisne iz područja zahvata
 - na uređaj ne djelovati prevelikim pritiskom
 - radni broj okretaja ploče za rezanje ovisi od rezanog materijala
 - ploču za rezanje ne kočiti bočnim pritiskom
- Držanje i vođenje uređaja
 - uređaj čvrsto držite s obje ruke, kako bi ga uvijek imali pod kontrolom
 - paziti na siguran i stabilan položaj tijela
 - paziti na smjer rotacije; uređaj uvijek tako držati da iskrenje i prašina od brušenja leti dalje tijela
 - proreze za hlađenje održavati slobodnim i nepokrivenim

SAVJETI ZA PRIMJENU

- Umjesto stezne matice B ④ može se primijeniti "CLIC" brzostežuća matica J ④ (SKIL pribor 2610388766); brusne ploče za grubo brušenje/rezanje mogu se u tom slučaju ugraditi bez posebnog ključa

JAMSTVO / ZAŠTITA OKOLIŠA

- Održavajte čistim uređaj i kabel (osobito otvore za hlađenje)
 - ! **ne pokušavajte tako čistiti da oštar predmet stavljate kroz proreze**
 - ! **prije čišćenja treba izvući mrežni utikač**
- Za ovaj SKIL proizvod dajemo jamstvo prema zakonskim i propisima zemlje korisnika; za štete nastale prirodnim trošenjem, preopterećenjem ili nestručnim rukovanjem, ovo se jamstvo ne priznaje
- U slučaju reklamacije uređaj treba nerastavljen, zajedno s računom o kupnji poslati u najbližu SKIL ugovornu servisnu radionicu (popise servisa, kao i oznake rezervnih dijelova uređaja možete naći na adresi www.skileurope.com)
- **Električne alate, pribor i ambalažu ne odlažite zajedno za sa kućnim otpacima (samo za EU-države)**
 - prema Europskoj direktivi 2002/96/EG o staroj električnoj i elektroničkoj opremi i njenoj primjeni u skladu sa nacionalnim zakonom, istrošeni električni alati moraju se sakupljati odvojeno i odvesti u posebne pogone za reciklažu
 - na to podsjeća simbol ⑨ kada se javi potreba za odlaganjem

UVOD

- Ovaj alat je namenjen za brušenje i sečenje materijala od metala i kamena, bez upotrebe vode; uz upotrebu odgovarajućeg pribora ovaj alat može da se koristi i za četkanje i brušenje
- Pažljivo pročitajte i sačuvajte ovo uputstvo za upotrebu ②

TEHNIČKE SPECIFIKACIJE ①

BEZBEDNOST

OPŠTA UPUTSTVA O SIGURNOSTI

PAŽNJA! Sva uputstva se moraju pročitati. Greške kod neodržavanja dole navedenih uputstava mogu izazvati električni udar, požar i/ili teške povrede. Dole upotrebljen pojam 'Električni alat' odnosi se na električne alate sa pogonom na struju (sa priključnim vodom).

1) RADNO MESTO

- Držite Vaše područje rada čisto i pospremljeno.** Nered i neosvetljena radna područja mogu voditi nesrećama.
- Ne radite sa aparatom u okolini ugroženoj od eksplozija u kojoj se nalaze zapaljive tečnosti, gasovi ili prašine.** Električni alati proizvode varnice, koje mogu zapaliti prašinu ili isparenja.
- Za vreme korišćenja električnog alata držite podalje decu i druge osobe.** Kod skretanja možete izgubiti kontrolu nad aparatom.

2) ELEKTRIČNA SIGURNOST

- Utikač za priključak aparata mora odgovarati utičnoj kutiji.** Utikač se nesme nikako menjati. Ne upotrebljavajte adaptere utikača zajedno sa aparatima sa uzemljenom zaštitom. Ne promenjeni utikači i odgovarajuće utičnice smanjuju rizik od električnog udara.
- Izbegavajte telesni kontakt sa uzemljenim gornjim površinama, kao što su cevi, grejanja, šporeti i rashladni ormani.** Postoji povećani rizik od električnog udara, ako je Vaše telo uzemljeno.
- Držite aparat podalje od kiše ili vlage.** Prodiranje vode u električni aparat povećava rizik od električnog udara.
- Ne koristite kabl da bi aparat nosili, obesili ili ga izvlačili iz utičnice.** Držite kabl dalje od vreline, ulja, oštih ivica ili pokretnih delova aparata. Oštećeni ili zamršeni kablovi povećavaju rizik od električnog udara.
- Ako sa nekim električnim alatom radite u prirodi, upotrebljavajte samo produžne kablove koji su dozvoljeni za spoljno područje.** Upotreba produžnog kabla pogodnog za spoljno područje smanjuje rizik od električnog udara.

3) SIGURNOST OSOBA

- Budite pažljivi, pazite na to, šta radite i idite razumno na posao sa električnim alatom. Ne upotrebljavajte aparat, kada ste umorni ili pod uticajem droga, alkohola ili lekova.** Momenat nepažnje kod upotrebe aparata može voditi do ozbiljnih povreda.
 - Nosite ličnu zaštitnu opremu i uvek zaštitne naočare.** Nošenje lične zaštitne opreme, kao maske za prašinu, sigurnosne cipele koje ne klizaju, zaštitni šlem ili zaštitu za sluh, zavisno od vrste i upotrebe električnog alata, smanjujete rizik od povreda.
 - Izbegavajte nenamerno puštanje u rad. Uverite se da li je prekidač u poziciji 'OFF', pre nego što utaknete utikač u utičnicu.** Ako kod nošenja aparata imate prst na prekidaču ili priključujete aparat uključen na snabdevanje strujom, može ovo voditi nesrećama.
 - Uklonite alate za podešavanje ili ključeve za zavrtnje, pre nego što uključite aparat.** Alat ili ključ koji se nalazi u delu aparata koji se okreće, može voditi povredama.
 - Ne precenjajte sebe. Pobrinite se da sigurno stojite i održavajte u svako doba ravnotežu.** Na taj način možete bolje kontrolisati aparat u neočekivanim situacijama.
 - Nosite pogodno odelo. Ne nosite široko odelo ili nakit.** Držite kosu, odelo i rukavice podalje od pokretnih delova. Opušteno odelo, nakit ili duža kosa mogu biti zahvaćeni od rotirajućih delova.
 - Ako se mogu montirati uredjaji za usisavanje prašine i uredjaji za hvatanje prašine, uverite se da li su priključeni i ispravno koriste.** Korišćenje ovih uredjaja smanjuje opasnost od prašine.
- 4) BRIŽLJIVO OPHODNENJE I KORIŠĆENJE ELEKTRIČNIH ALATA**
- Ne preopterećujte aparat. Upotrebljavajte za Vaš posao električni alat odredjen za to.** Sa odgovarajućim električnim alatom radićete bolje i sigurnije u navedenom području rada.
 - Ne upotrebljavajte električni alat, čiji je prekidač u kvaru.** Električni alat koji više ne može da se uključi ili isključi je opasan i mora da se popravi.
 - Izvcite utikač iz utičnice pre nego što preduzmete podešavanje aparata, promenu delova pribora ili ostavite aparat.** Ova mera opreza sprečava nenamernan start aparata.
 - Čuvajte nekorišćene električne alate izvan domašaja dece.** Ne dopustite osobama da koriste aparat, koje ga ne poznaju ili nisu pročitali ova uputstva. Električni alati su opasni, ako ih koriste neiskusne osobe.
 - Održavajte aparat brižljivo. Kontrolišite, da li pokretni delovi aparata funkcionišu besprekorno i ne slepljuju, da li su delovi slomljeni ili tako oštećeni, da je funkcija aparata oštećena. Popravite oštećene delove pre upotrebe aparata.** Mnoge nesreće imaju svoj uzrok u loše održanim električnim alatima.
 - Držite alate za sečenja oštre i čiste.** Brižljivo negovani alati za sečenje sa oštrim sečivima manje slepljuju i lakše se vode.

- g) **Upotrebljavajte električne alate, pribor, alate koji se umeću itd. prema ovim uputstvima i to tako kako je propisano za ovaj specijalan tip aparata. Obratite pažnju pritom na uputstva za rad i posao koji treba izvesti.** Upotreba električnih alata za druge od propisanih namena može voditi opasnim situacijama.

5) SERVIS

- a) **Neka Vam Vaš aparat popravlja samo kvalifikovano stručno osoblje i samo sa originalnim rezervnim delovima.** Na taj način se obezbeđuje da ostane sačuvana sigurnost aparata.

UPUTSTVA ZA BEZBEDAN RAD SA UGAONOM BRUSILICOM

OPŠTA

- Koristite ovaj alat samo za brušenje i sečenje
- Koristite samo obode koje ste dobili uz ovaj alat
- Ovaj električni alat ne smeju da koriste osobe mlađe od 16 godina
- **Obavezno iskopčajte alat iz električne utičnice pre nego što izvršite bilo kakva podešavanja ili zamenu pribora**

PRIBOR

- Koristite samo originalni SKIL pribor koji možete da nabavite kod svog SKIL prodavca
- Za postavljanje i korišćenje pribora koji nisu SKIL pogledajte uputstva proizvođača
- Koristite samo pribor čija je dozvoljena brzina u najmanju ruku jednaka najvećoj brzini pri praznom hodu električnog alata
- Ne koristite oštećene, deformirane ili vibrirajuće diskove za brušenje ili sečenje
- Pažljivo rukujte sa diskovima za brušenje ili sečenje i čuvajte ih kako biste izbegli oštećenja
- Zaštitite pribor od potresa, udara i masnih površina
- Ne koristite disk za brušenje ili sečenje koji je veći od najveće preporučene veličine
- Koristite samo diskove za brušenje ili sečenje sa otvorom čiji prečnik odgovara obodu G ④; nemojte da koristite reduktore ili adaptere da biste stavili diskove za brušenje ili sečenje sa prevelikim otvorom
- Nikada ne koristite diskove za brušenje ili sečenje sa otvorom čiji navoj nije dovoljno dugačak da prihvati dužinu osovine alata
- Nikada ne koristite pribor sa otvorom sa "slepim" navojem manjim od M14 x 21 mm

KORIŠĆENJE NA OTVORENOM

- Priključite električni alat pomoću automatskog prekidača za ispad struje (FI) jače od 30 mA
- Isključivo koristite produžni kabl koji je namenjen za korišćenje na otvorenom i opremljen dvostrukom utičnicom otpornom na kvašenje

PRE UPOTREBE

- Pre prvog korišćenja električnog alata, preporučuje se da dobijete praktične informacije
- **Ne obradjujte nikakav materijal koji sadrži azbest** (azbest važi kao izazivač raka)

- **Preduzmite zaštitne mere ako pri radu mogu nastati štetne po zdravlje, zapaljive i eksplozivne prašine** (neke prašine važe kao pobudjivači raka); nosite zaštitnu masku za prašinu i upotrebljavajte ako se može priključiti usisavanje prašine/opiljaka
- Pazite na skrivene električne žice, vodovodne cevi i cevi za gas; ispitajte područje rada, na primer detektorom za metal
- Budite pažljivi pri brušenju utora, naročito na nosećim zidovima (utori na nosećim zidovima su u skladu sa propisima određenih država; ovi propisi obavezno moraju da se pregledaju i zato se)
- Ako predmet koji se obrađuje nije stabilan, morate dobro da ga pričvrstite
- Nemojte da pričvršćujete električni alat u stegu
- Produžni kabl koji koristite mora da bude sasvim odmotan i siguran, sa kapacitetom od 16 A
- Nosite zaštitne naočari, rukavice, zaštitu za sluh ③ i čvrstu obuću; ukoliko je potrebno, nosite i kecelju
- Obavezno postavite pomoćnu ručicu E ⑤ i zaštitni mehanizam F ④; alat nemojte nikada da koristite bez njih
- Proverite da li je električni alat isključen kada ga prikopčavate u utičnicu

TOKOM UPOTREBE

- Kabl uvek držite podalje od pokretnih delova alata; uvek ga treba držati iza alata
- Ako se kabl ošteti ili preseče u toku rada, odmah ga iskopčajte i nemojte ga dodirivati; nikada nemojte da koristite električni alat sa oštećenim kablom
- Dugme za zaključavanje vretena D ④ pritisnite kada se vreteno A ④ sasvim zaustavi
- Ruke držite podalje od pribora koji se obrće
- Kod brušenja metala, dolazi do varničenja; ostale osobe i zapaljivi materijali treba da budu dalje od područja rada
- U slučaju da dođe do električnog ili mehaničkog kvara, odmah isključite alat i iskopčajte ga iz utičnice
- U slučaju da se disk za sečenje blokira, što rezultira trzanjem alata, odmah ga isključite
- Ukoliko dođe do nestanka struje ili ako se utikač slučajno izvuče, odmah otključajte prekidač za uključivanje/isključivanje H ④ i stavite ga u položaj ISKLJUČENO, da biste sprečili nekontrolisano ponovno pokretanje
- Nemojte mnogo da pritisnete električni alat da ne bi došlo do prestanka rada

NAKON UPOTREBE

- Kada završite rad sa alatom, isključite motor i proverite da li su se zaustavili svi pokretni delovi
- Nakon isključivanja električnog alata, nikada nemojte da zaustavljate obrtanje pribora primenom bočne sile

ELEMENTI ALATA ④

- A Vreteno
- B Spone štitnik
- C Ključ
- D Dugme za zaključavanje vretena
- E Pomoćnu ručicu
- F Zaštitni mehanizam
- G Podloška štitnik
- H Prekidač za zaključavanje uključivanja/isključivanja

UPOTREBA

- Postavljanje pribora ④
 - ! **iskopčajte utikač**
 - očistite vreteno A i sve delove koje ćete postaviti
 - pričvrstite spone štitnika B pomoću ključa C dok pritisnete dugme za zaključavanje vretena D
 - za uklanjanje ručice pribora
 - ! **diskovi za brušenje/sečenje se veoma ugreju prilikom upotrebe; nemojte da ih dodirujete dok se potpuno ne ohlade**
 - ! **pri korišćenju pribora za suvo brušenje uvek postavite zaštitnu podlogu**
 - ! **nemojte nikada da koristite diskove za brušenje/sečenje bez oznake („blotter“) koja je nalepljena na disk**
- Pomoćna ručica ⑤
 - ! **iskopčajte utikač**
 - pričvrstite pomoćnu ručicu E sa leve ili sa desne strane alata (u zavisnosti od vrste rada)
- Zaštitni mehanizam
 - ! **iskopčajte utikač**
 - otvorite zaštitni mehanizam F otpuštanjem šrafa
 - postavite zaštitni mehanizam F na prsten vretena glave alata i okretanjem ga postavite na željenu poziciju (u zavisnosti od vrste rada)
 - pričvrstite zaštitni mehanizam F pritezanjem šrafa
 - ! **vodite računa da zatvorena strana zaštitnog mehanizma uvek bude okrenuta ka operateru**
- Pre korišćenja električnog alata
 - proverite da li je pribor ispravno postavljen i snažno pričvršćen
 - proverite da li pribor može da se pomera, tako što ćete ga ručno pokrenuti
 - probno pokrenite alat najmanje 30 sekundi na najvećoj brzini pri praznom hodu i u sigurnom položaju
 - odmah prekinite rad ukoliko dođe do većih vibracija ili drugih nepravilnosti u radu i pregledajte alat, da biste odredili uzrok
- Prekidač za zaključavanje uključivanja/isključivanja H ⑥
 - uključite alat ⑥a
 - ! **budite pripremljeni za nagli trzaj pri uključivanju električnog alata**
 - ! **alat bi trebalo da radi u punoj brzini pre nego što pribor dodirne područje rada**
 - prekidač za zaključavanje ⑥b
 - prekidač za otključavanje/isključivanje aparata ⑥c
 - ! **uređaj treba da podigne sa područja rada pre nego što ga isključite**
 - ! **pribor se okreće još neko vreme nakon što se električni alat isključi**
- Elektronsko postepeno pokretanje
 - Omogućava lagano dostizanje maksimalne brzine, bez iznenadnih udara pri uključivanju električnog alata
- Elektronska konstantna brzina
 - Održava brzinu na konstantnom nivou pri povećavanju opterećenja
- Brušenje ⑦
 - pomerajte električni alat napred-nazad uz lagani pritisak
 - ! **nikada nemojte da koristite disk za sečenje za bočno brušenje**

- Sečenje ⑧
 - pri sečenju nemojte da naginjete alat
 - uvek pomerajte električni alat u pravcu strelice na vrhu alata, da biste sprečili da alat nekontrolisano sklizne iz reza
 - nemojte da pritisnete električni alat; pustite da disk za sečenje sâm radi
 - radna brzina diska za sečenje zavisi od materijala koji se seče
 - nemojte bočnim pritiskom da slomite disk za sečenje
- Držanje električnog alata i upravljanje
 - električni alat uvek snažno držite obema rukama, tako da u svakom trenutku imate punu kontrolu nad njim
 - uvek budite u sigurnom stavu
 - obratite pažnju na smer rotacije; električni alat uvek držite tako da varnice i prašina od brušenja/sečenja lete u pravcu suprotnom od tela
 - prorezi za hlađenje moraju da budu čisti i otvoreni

SAVETI ZA PRIMENU

- Umesto štitnika B ④ može da se koristi „CLIC“ štitnik J ④ za brzo postavljanje (SKIL pribor 2610388766); diskovi za brušenje/sečenje moraju da se postave bez korišćenja ključeva pribora

GARANCIJA/ŽIVOTNA SREDINA

- Alat i kabl uvek održavajte čistim (posebno otvore za hlađenje)
 - ! **ne pokušavajte da očistite proreze za hlađenje umetanjem oštrih predmeta kroz otvore**
 - ! **pre čišćenja iskopčajte kabl iz utičnice**
- Ovaj SKIL proizvod sadrži garanciju u skladu sa propisima i zakonima određenih država; oštećenja nastala normalnim habanjem i trošenjem, preopterećenjem uređaja ili nepravilnim rukovanjem nisu uključena u garanciju
- U slučaju reklamacije, nerasklopljen alat zajedno sa radnom adresom odnesite kod vašeg prodavca ili u najbliži SKIL servis (adrese, kao i spisak rezervnih delova se nalaze na www.skileurope.com)
- **Električne alate, pribora i ambalaže ne odlažite u kućne otpatke** (samo za EU-države)
 - prema Evropskoj direktivi 2002/96/EG o staroj električnoj i elektronskoj opremi i njenoj upotrebi u skladu sa nacionalnim pravom, električni alati koji su istrošeni moraju biti sakupljeni odvojeno i dostavljeni pogonu za reciklažu
 - simbol ⑨ će vas podsetiti na to

SLO

Kotni brusilnik

9295

UVOD

- Orodje je namenjeno brušenju i rezanju kovine i kamna bez uporabe vode; z uporabo primernega pribora je orodje uporabno tudi za krtačenje in brušenje
- Preberite in shranite navodila za uporabo ②

TEHNIČNI PODATKI ①

VARNOST

SPLOŠNA VARNOSTNA NAVODILA

OPOZORILO! Prosimo, da navodila preberete od začetka do konca. Posledice neupoštevanja vseh spodaj navedenih navodil so lahko električni udar, požar in/ali hude telesne poškodbe. Pojem "električno orodje", ki smo ga uporabili v nadaljevanju besedila, se nanaša na električna orodja na električni pogon (s kablom za priključitev na omrežno napetost).

1) DELOVNO MESTO

- a) **Poskrbite, da bo Vaše delovno mesto vedno čisto in urejeno.** Nered in neosvetljena delovna področja lahko povzročijo nezgode.
- b) **Prosimo, da naprave ne uporabljate v okolju, kjer je nevarnost za eksplozije in v katerem se nahajajo gorljive tekočine, plini in prah.** Električna orodja povzročajo iskre, zato se gorljivi prah ali pare lahko vnamejo.
- c) **Ne dovolite otrokom in drugim osebam, da bi se medtem ko delate, približali električnemu orodju.** Druge osebe lahko odvrnejo Vašo pozornost drugam in izgubili boste nadzor nad napravo.

2) ELEKTRIANA VARNOST

- a) **Vtič mora ustrezati električni vtičnici in ga pod nobenim pogojem ne smete spreminjati.** Uporaba adapterskih vtičev v kombinaciji z ozemljenimi napravami ni dovoljena. Originalni oziroma nespremenjeni vtiči in ustrezne vtičnice zmanjšujejo tveganje električnega udara.
- b) **Izogibajte se telesnemu stiku z ozemljenimi površinami, na primer s cevmi, grelci, štedilniki in hladilniki.** Če je ozemljeno tudi vaše telo, obstaja povečano tveganje električnega udara.
- c) **Zavarujte napravo pred dežjem ali vlago.** Vdor vode v električno napravo povečuje tveganje električnega udara.
- d) **Električnega kabla ne uporabljajte za prenašanje ali obešanje naprave in ne vlečite vtič iz vtičnice tako, da vlečete za kabel.** Zavarujte kabel pred vročino, oljem, ostrimi robovi in premikajočimi se deli naprave. Poškodovani ali prepleteni kabli povečujejo tveganje električnega udara.
- e) **Če z električnim orodjem delate na prostem, uporabljajte izključno kabelski podaljšek, ki je atestiran za delo na prostem.** Uporaba kabelskega podaljška, primernega za delo na prostem, zmanjšuje tveganje električnega udara.

3) OSEBNA VARNOST

- a) **Bodite zbrani in pazite, kaj delate. Dela z električnim orodjem se lotite razumno. Nikoli ne uporabljajte naprave, če ste utrujeni in če ste pod vplivom mamil, alkohola ali zdravil.** En sam trenutek nepazljivosti pri uporabi naprave ima lahko za posledico resne telesne poškodbe.

- b) **Uporabljajte osebna zaščitna sredstva in vedno nosite zaščitna očala.** Uporaba osebnih zaščitnih sredstev, na primer maske proti prahu, nedersečih zaščitnih čevljev, zaščitne čelade in glušnikov, odvisno od vrste in uporabe električnega orodja, zmanjšuje tveganje telesnih poškodb.
 - c) **Izogibajte se nenamernemu vklopu naprave. Preden vtič vtaknete v vtičnico, se prepričajte, če je stikalo v položaju izklopa.** Če se med nošenjem naprave Vaš prst nahaja na stikalu naprave, oziroma, če vklopljeno napravo priključite na električno omrežje, lahko pride do nezgode.
 - d) **Pred vklopom naprave odstranite z nje nastavitvena orodja ali vijaki ključ.** Orodje ali ključ, ki se nahajata na vrtečem se delu naprave, lahko povzročita nezgode.
 - e) **Ne precenjujte se in poskrbite za varno stojišče in stalno ravnotežje.** Tako boste lahko v nepričakovani situaciji bolje obvladali napravo.
 - f) **Nosite primerno obleko, ki naj ne bo preohlapna. Ne nosite nakita. Lasje, oblačilo in rokavice naj se ne približujejo premikajočim se delom naprave.** Premikajoči se deli naprave lahko zgrabijo ohlapno obleko, nakit, ali dolge lase.
 - g) **Če je možno na napravo namestiti priprave za odsesavanje in prestrazanje prahu, se prepričajte, ali so le-te priključene in, če jih pravilno uporabljate.** Uporaba teh priprav zmanjšuje ogroženost zaradi prahu.
- #### 4) RAVNANJE IN NEGA ROANEGA ORODJA
- a) **Ne preobremenjujte naprave. Za določeno delo uporabljajte električno orodje, ki je predvideno za opravljanje tega dela.** Z ustreznim električnim orodjem boste delo opravili bolje in varneje, ker je bilo v ta namen tudi konstruirano.
 - b) **Električno orodje, ki ima pokvarjeno stikalo, ne uporabljajte.** Električno orodje, ki ga ni možno vklopiti ali izklopiti, je nevarno in ga je potrebno popraviti.
 - c) **Pred nastavitvijo naprave, zamenjavo pribora ali odlaganjem naprave vedno izvlecite vtič iz električne vtičnice.** Ta previdnostni ukrep onemogoča nepredviden zagon naprave.
 - d) **Kadar orodja ne uporabljate jih shranjujte izven dosega otrok. Osebam, ki naprave ne poznajo ali niso prebrale teh navodil, naprave ne dovolite uporabljati.** Električna orodja so nevarna, če jih uporabljajo neizkušene osebe.
 - e) **Skrbno negujte napravo. Preverite, če premikajoči se deli naprave delujejo brezhibno in če se ne zatikajo, oziroma, če kakšen del naprave ni zlomljen ali poškodovan do te mere, da bi oviral njeno delovanje. Pred nadaljnjo uporabo je potrebno poškodovani del popraviti.** Vzrok za številne nezgode so ravno slabo vzdrževana električna orodja.
 - f) **Rezalna orodja naj bodo ostra in čista.** Skrbno negovana rezalna orodja z ostrimi rezili se manj zatikajo in so bolj vodljiva.

- g) **Električna orodja, pribor, nastavke in podobno uporabljajte v skladu s temi navodili in v skladu s predpisi, ki veljajo za določeno tip naprave. Pri tem upoštevajte delovne pogoje in vrsto dela, ki ga nameravate opraviti.** Zaradi uporabe električnega orodja v druge, nepredvidene namene, lahko nastanejo nevarne situacije.

5) SERVIS

- a) **Popravilo naprave lahko opravi samo usposobljena strokovna oseba in to izključno z originalnimi nadomestnimi deli.** Le tako bo ohranjena nadaljnja varnost naprave.

VARNOSTNA NAVODILA ZA KOTNE BRUSILNIKE

SPLOŠNO

- Uporabljajte to orodje le za suho brušenje in rezanje
- Uporabljajte le tiste prirobnice, ki so dobavljene skupaj z orodjem
- Orodja naj ne uporabljajo osebe mlajše od 16 let
- **Vedno Izvlecite električni vtičač iz vtičnice preden spreminjate nastavitve ali menjate pribor**

PRIBOR

- Uporabljajte originalni SKIL-ov pribor, ki ga dobite pri SKIL-ovih trgovcih
- Pri uporabi in montaži ne SKIL-ovega pribora upoštevajte navodila proizvajalca uporabljenega pribora
- Uporabljajte lahko le dodatno opremo, katere dopustna hitrost se ujema vsaj z največjo hitrostjo stroja, ko na njem ni obdelovalnega premeta
- Ne uporabljajte brusnih in rezalnih plošč, ki so poškodovane, deformirane ali tresejo
- Z brusnimi in rezalnimi ploščami ravnajte previdno, da ne počijo ali se odkrušijo; shranjujte jih na primeren način
- Zaščitite pribor pred udarci, sunki in maščobami
- Ne uporabljajte večjih brusilnih in rezalnih plošč, kot je maksimalna dovoljena velikost
- Uporabljajte le brusne in rezilne plošče pri katerih njihov premer luknje popolnoma ustreza nameščeni prirobnici G ④; nikoli ne uporabljajte reduciranih tulk ali adapterjev za prilagajanje brusnih ali rezilnih plošč z večjimi premeri lukenj
- Ne uporabljajte brusnih in rezilnih plošč, kjer pri montirani matici nivo navoja vretena ni nad matico
- Ne uporabljajte pribora, ki ima manjšo luknjo kot jo zahteva vreteno M14 x 21 mm

ZUNANJA UPORABA

- Priključite orodje preko tokovnega zaščitnega stikala (FI) z občutljivostjo toka največ 30 mA
- Za zunanjo uporabo uporabljajte le podaljške, ki so namenjeni zunanji uporabi in z vtičnico zaščiteno proti vlagi

PRED UPORABO

- Pred prvo uporabo orodja je priporočljivo dobiti praktične informacije
- **Ne obdelujte materiala, ki vsebuje azbest** (azbest povzroča rakasta obolenja)

- **Če bi pri delu lahko nastajal zdravju škodljiv, gorljiv ali eksploziven prah, poskrbite za ustrezne zaščitne ukrepe** (nekateri vrste prahu povzročajo rakasta obolenja); nosite masko za zaščito proti prahu in če je možna priključitev, uporabljajte napravo za odsesavanje prahu in ostružkov
- Bodite pozorni na skrite električne in plinske vode ali vodovodne inštalacije; predhodno preverite delovno območje, za pomoč uporabite npr. detektor kovine
- Bodite pozorni pri rezanju nosilcev, posebno v podpornih stenah (odprtine v podpornih zidovih so predmet posebnih predpisov, odvisno od države, katere je potrebno v takšnih okoliščinah upoštevati)
- Pritrdite obdelovanec v primeru, da zaradi svoje teže ne stoji fiksno
- Ne vpenjajte stroja v primež
- Uporabljajte popolnoma odvit in varen podaljšek kabla s presekom primernim za tokove min. 16A
- Uporabljajte zaščitna očala in rokavice, zaščito sluha ③, in zaščitna delovna obuvala; če je potrebno, nosite tudi zaščitni predpasnik
- Vedno uporabljajte brusilnik z nameščenim stranskim ročajem E ⑤ in varnostnim ščitom F ④; nikoli ne uporabljajte brusilnika brez njiju
- Prepričajte se, če je stikalo izklopljeno, preden priključite priključni kabel

MED UPORABO

- Vedno usmerite priključni kabel proč od gibajočih se delov orodja, na zadnjo stran, proč od orodja
- Če je priključni kabel poškodovan ali se med delom pretрга, se ga ne dotikajte, temveč takoj izvlecite vtičač iz vtičnice; nikoli ne uporabljajte orodja s poškodovanim kablom
- Pritisnite gumb za blokado vretena D ④ le ko je vreteno A ④ popolnoma mirujoče
- Roke držite proč od vrtečega se pribora
- Pri brušenju ali rezanju kovine se pojavljajo iskre, zato odstranite iz delovnega območja ostale osebe in material, ki ga iskre lahko vnamejo
- V primeru električnih ali mehanskih motenj takoj izključite orodje in izvlecite vtičač iz vtičnice
- V primeru, da je rezalna plošča blokirana zaradi močnih nenadnih pritiskov na orodje, takoj izklopite stikalo
- V primeru prekinitve napetosti v omrežju ali, ko se vtičač pomotoma iztakne, izklopite stikalo H ④, da preprečite nenadzorovan zagon pri ponovnem vklopu
- Ne pritisnite s preveliko silo na orodje, da ne pride do njegove zaustavitve

PO UPORABI

- Preden orodje odložite, izključite stikalo in počakajte, da se vsi gibljivi deli popolnoma zaustavijo
- Po izključitvi stikala orodja nikoli ne ustavlajte vrtenja plošče s stranskim pritiskanjem

DELI ORODJA ④

- A Vreteno
- B Prirobna matica
- C Ključ za vreteno
- D Gumb za blokado vretena
- E Pomožni ročaj
- F Varnostni ščit
- G Nameščena prirobnica
- H Vklplo/izklopno aretirno stikalo

UPORABA

- Nameštitev pribora ④
 - ! **izključite vtiaka iz vtičnice**
 - očistite vreteno A in vse dele, ki bodo nameščeni
 - pritrdite prirobno matico B s ključem C pri tem pa držite pritisnjen gumb za blokado vretena D
 - pri demontaži pribora postopek ponovite in prirobno matico odvijajte
 - ! **med uporabo brusne in rezalne plošče postanejo zelo vroče; ne dotikajte se jih dokler se popolnoma ne ohladijo**
 - ! **vedno namestite brusilni krožnik, kadar uporabljate brusni pribor**
 - ! **nikoli ne uporabljajte brusne ali rezalne plošče brez nalepke na njej**
- Pomožni ročaj ⑤
 - ! **izključite vtiaka iz vtičnice**
 - stranski ročaj E se lahko privije na desno ali levo stran orodja (odvisno od dela)
- Varnostni ščit
 - ! **izključite vtiaka iz vtičnice**
 - z odvijanjem vijaka razširjamo objemko ščitnika F
 - namestite ščitnik F na vrat reduktorskega ohišja ob vretenu in ga obrnite v želeno smer (odvisno od dela)
 - ščitnik F pritrdite s privijanjem vijaka
 - ! **zagotovite, da je zaprti del varnostnega ščita vedno obrnjen k uporabniku**
- Pred uporabo orodja
 - prepričajte se, da je pribor pravilno nameščen in čvrsto pritrjen
 - preverite z roko, če se nameščen pribor prosto vrti
 - napravite preizkusni zagon, tako, da vključite orodje na varnem mestu, za najmanj 30 sekund, pri največji hitrosti
 - pri močnih vibracijah ali drugih napakah, takoj izklopite orodje in ugotovite vzrok
- Vklplo/izklopno aretirno stikalo H ⑥
 - vklopite orodje ⑥a
 - ! **pazite na nenaden sunek pri vklopu orodja**
 - ! **preden pribor doseže obdelovanec naj orodje doseže polno hitrost**
 - aretirajte stikalo ⑥b
 - izklopite stikalo/orodje ⑥c
 - ! **orodje dvignite iz obdelovanca pred njegovim izklopom**
 - ! **po izklopu orodja se pribor še nekaj časa vrtil**
- Elektronski mehki zagon
 - Pri vklopu zagotavlja mehki zagon in doseganje maksimalne hitrosti brez nenadnih sunkov

- Elektronsko konstantna hitrost
 - Pri naraščajoči obremenitvi orodja ostaja hitrost konstantna
- Brušenje ⑦
 - premikajte orodje naprej in nazaj z zmernim pritiskom
 - ! **nikoli ne uporabljajte rezalne plošče za stransko brušenje**
- Rezanje ⑧
 - med rezanjem ne nagibajte orodja
 - orodje vedno pomikajte v smeri puščice na ohišju orodja, da preprečite uhajanje plošče iz linije reza in nenadzorovane pomike
 - ne pritiskajte premočno na orodje; pustite, da hitrost rezalne plošče opravi svoje delo
 - hitrost rezalne plošče je odvisna od materiala katerega obdelujemo
 - ne zaustavljajte rezalnih plošč s stranskim pritiskom
- Držanje in vodenje orodja
 - vedno čvrsto držite orodje z obema rokama, tako boste imeli nad njim ves čas popoln nadzor
 - zagotovite si varen položaj
 - bodite pozorni na smer vrtenja; vedno držite orodje tako, da iskre in prah, ki nastajajo pri brušenju ali rezanju letijo proč od uporabnika
 - prezračevalne odprtine morajo biti čiste in nepokrite

UPORABNI NASVETI

- Namesto prirobne matice B ④ se lahko uporablja 'CLIC' prirobnica za hitrejšo namestitev pribora J ④ (SKIL pribor SK2610388766); brusne in rezalne plošče se v tem primeru nameščajo brez uporabe ključa

GARANCIJA / OKOLJE

- Priključni kabel in orodje naj bosta vedno čista (posebej še prezračevalne odprtine)
 - ! **ne poskušajte čistiti prezračevalnih odprtin z drezanjem s koničastimi predmeti skozi odprtine**
 - ! **izvlecite vtiaka iz vtičnice pred čiščenjem**
- Ovaj SKIL proizvod sadrži garancijo u skladu sa propisima i zakonima određenih država; oštećenja nastala normalnim habanjem i trošenjem, preopterećenjem uređaja ili nepravilnim rukovanjem nisu uključena u garanciju
- U slučaju reklamacije, nerasklopljen alat zajedno sa računom odnesite kod vašeg prodavca ili u najbliži SKIL servis (adrese, kao i spisak rezervnih delova se nalaze na www.skileurope.com)
- **Električnega orodja, pribora in embalaže ne odstranjujte s hišnimi odpadki** (samo za države EU)
 - v skladu z Evropsko direktivo 2002/96/EG o odpadni električni in elektronski opremi in z njenim izvajanjem v nacionalni zakonodaji je treba električna orodja ob koncu njihove življenjske dobe ločeno zbirati in jih predati v postopek okolju prijaznega recikliranja
 - ko je potrebno odstranjevanje, naj vas o načinu spomni simbol ⑨

INTRODUCTION

- Tööriist on ette nähtud metall- ja kivimaterjalide lihvimiseks, lõikamiseks ja kraatide eemaldamiseks kuivmeetodil; koos sobivate tarvikutega saab tööriista kasutada ka harjamiseks ja lihvimiseks
- Palun lugege käesolev kasutusjuhend hoolikalt läbi ja hoidke see alles ②

TEHNILISED ANDMED ①

TÖÖOHUTUS

ÜLDISED OHUTUSJUHISED

TÄHELEPANU! Kõik juhised tuleb läbi lugeda. Alltoodud ohutusjuhiste eiramise tagajärjeks võib olla elektrilöök, tulekahju ja/või rasked vigastused. Allpool kasutatud mõiste „Elektriline tööriist“ käib võrgutoitega (toitejuhtmega) elektriliste tööriistade kohta.

1) TÖÖKOHT

- Hoidke töökoht puhas ja korras.** Segadus ja valgustamata tööpiirkonnad võivad põhjustada õnnetusi.
- Ärge kasutage seadet plahvatusohtlikus keskkonnas, kus leidub tuleohtlikke vedelikke, gaase või tolmu.** Elektrilistest tööriistadest lööb sädemeid, mis võivad tolmu või auru süüdata.
- Kui kasutate elektrilist tööriista, hoidke lapsed ja teised isikud töökohast eemal.** Kui Teie tähelepanu kõrvale juhitakse, võib seade Teie kontrolli alt väljuda.

2) ELEKTROOHUTUS

- Seadme pistik peab pistikupessa sobima.** Pistiku kallal ei tohi teha mingeid muudatusi. Ärge kasutage kaitsemaandusega seadmete puhul adapterpistikuid. Muutmata pistikud ja sobivad pistikupesad vähendavad elektrilöögi saamise riski.
- Vältige kehakontakti maandatud pindadega, nagu torud, radiaatorid, pliidid ja külmikud.** Kui Teie keha on maandatud, on elektrilöögi risk suurem.
- Hoidke seadet vihma ja niiskuse eest.** Kui elektriseadmesse on sattunud vett, on elektrilöögi saamise risk suurem.
- Ärge kasutage toitejuhet selleks mitte ettenähtud otstarbel seadme kandmiseks, ülesriputamiseks ega pistiku pistikupesast väljatõmbamiseks.** Hoidke toitejuhet kuumuse, õli, teravate servade ja seadme liikuvate osade eest. Kahjustatud või keerduläinud toitejuhtmed suurendavad elektrilöögi saamise riski.
- Kui töötate elektrilise tööriistaga vabas õhus, kasutage ainult selliseid pikendusjuhtmeid, mida on lubatud kasutada ka välistingimustes.** Välistingimustes kasutamiseks sobiva pikendusjuhtme kasutamine vähendab elektrilöögi saamise riski.

3) INIMESTE TURVALISUS

- Olge tähelepanelik, jälgige, mida Te teete, ning toimige elektrilise tööriistaga töötades mõistlikult.** Ärge kasutage seadet, kui olete väsinud või uimastite, alkoholi või ravimite mõju all. Hetkeline tähelepanematus seadme kasutamisel võib põhjustada tõsiseid vigastusi.
 - Kandke isikukaitsevahendeid ja alati kaitseprille.** Isikukaitsevahendite, nagu tolmu mask, liibemiskindlad turvajalatsid, kaitsekiiver või kuulmiskaitsevahendid, kandmine – sõltuvalt elektrilise tööriista tüübist ja kasutusala – vähendab vigastuste riski.
 - Vältige seadme tahtmatut käivitamist. Enne pistiku pistikupessa ühendamist veenduge, et lüliti on asendis 'OFF'.** Kui hoiate seadme kandmisel sõrme lülilil või ühendate vooluvõrku sisselülitatud seadme, võib see põhjustada õnnetusi.
 - Enne seadme sisselülitamist eemaldage selle küljest reguleerimis- ja mutrivõtmed.** Seadme pöörleva osa küljes olev reguleerimis- või mutrivõti võib põhjustada vigastusi.
 - Ärge hinnake end üle. Võtke stabiilne tööasend ja hoidke kogu aeg tasakaalu.** Nii saate seadet ootamatutes olukordades paremini kontrollida.
 - Kandke sobivat rõivastust. Ärge kandke laiu riideid ega eteid.** Hoidke juuksed, rõivad ja kindad seadme liikuvatest osadest eemal. Lotendavad riided, ehted või pikad juuksed võivad sattuda seadme liikuvate osade vahele.
 - Kui on võimalik paigaldada tolmu eemaldus- ja tolmu kogumisseadiseid/seadmeid, veenduge, et need oleksid seadmega ühendatud ja et neid kasutatakse õigesti.** Nende seadiste/seadmete kasutamine vähendab tolmu põhjustatud ohte.
- #### 4) ELEKTRILISTE TÖÖRIISTADE HOOLIKAS KÄSITSEMINE JA KASUTAMINE
- Ärge koormake seadet üle.** Kasutage töö tegemiseks selleks ettenähtud elektrilist tööriista. Sobiva elektrilise tööriistaga töötate paremini ja turvalisemalt ettenähtud võimsusvahemikus.
 - Ärge kasutage elektrilist tööriista, mille lüliti on rikkis.** Elektriline tööriist, mida ei ole enam võimalik sisse ja välja lülitada, on ohtlik ning seda tuleb remontida.
 - Tõmmake pistik pistikupesast välja enne seadme reguleerimist, tarvikute vahetamist ja seadme ärapanemist.** See ettevaatusabinõu väldib seadme tahtmatut käivitamist.
 - Hoidke kasutusel mitteolevaid elektrilisi tööriistu lastele kättesaamatult. Ärge laske seadet kasutada isikutel, kes seda ei tunne või pole siintoodud juhiseid lugenud.** Kogenematu kasutajate käes kujutavad elektrilised tööriistad ohtu.
 - Hoolitsege seadme eest. Kontrollige, kas seadme liikuvad osad funktsioneerivad korralikult ja ei kiildu kiini, ning ega mõned osad ei ole katki või sel määral kahjustatud, et võiksid piirata seadme funktsioneerimist.** Laske kahjustatud osad enne seadme kasutamist parandada. Paljude õnnetuste põhjuseks on halvasti hooldatud elektrilised tööriistad.

- f) **Hoidke lõiketarvikud teravad ja puhtad.** Hoolikalt hoiud, teravate lõikeservadega lõiketarvikud kiiluvad harvemini kinni ja neid on lihtsam juhtida.
- g) **Kasutage elektrilist tööriista, lisavarustust, tarvikuid jne vastavalt siintoodud juhistele ning nii, nagu konkreetse seadmetüübi jaoks ette nähtud.** Arvestage seejuures töötingimuste ja teostatava töö iseloomuga. Elektriliste tööriistade kasutamine mitte ettenähtud otstarbel võib põhjustada ohtlikke olukordi.
- 5) **TEENINDUS**
- a) **Laske seadet parandada ainult kvalifitseeritud spetsialistidel ja ainult originaalvaruosadega.** Nii tagate seadme püsimise turvalisena.

OHUTUSJUHISED NURKLIHVASINATE KOHTA

ÜLDIST

- Kasutage antud tööriista ainult kuivilihvimiseks-/ lõikamiseks
- Kasutage üksnes tööriistaga kaasasolevaid seibe
- Antud tööriista kasutaja peaks olema üle 16 aasta vana
- **Enne seadme reguleerimist või tarviku vahetust eemaldage seade vooluvõrgust (tõmmake pistik pistikupesast välja)**

TARVIKUD

- Kasutage originaaltarvikuid, mis on saadaval meie edasimüüjate juures või SKILI lepingulistest töökodades
- Teiste tootjate tarvikute kasutamisel järgige valmistaja antud juhiseid
- Kasutage vaid neid tarvikuid, mille lubatud pöörete arv on vähemalt sama suur nagu maksimaalsed tühikäigupöörded
- Keelatud on kasutada rebenenud, deformeerunud ja vibreerivaid lihvimis-/lõikeketaid
- Lihvimis-/lõikeketastega tuleb ettevaatlikult ümber käia, et vältida kildude eraldumist ja pragude teket
- Tarvikuid tuleb kaitsta põrutuste, löökide ja rasvade toime eest
- Keelatud on kasutada maksimaalseid soovitatud mõõtmeid ületavat lihvimis-/lõikeketast
- Kasutage ainult sellise läbimõõduga avaga lihvimis-/ lõikeketaid, mis sobivad seibile G ④ lõtkuta; ärge kasutage kahandusdetaili ega adaptereid, et sobitada seadmele suurema avaga lihvimis-/lõikeketaid
- Ärge kasutage lihvimis-/lõikeketaid, mille ava kerme pikkuse ei vasta vähemalt tööriista keermespindli pikkusele
- Ärge kasutage suletud keermega tarvikuid, mille keermesuurus jääb alla M14 x 21 mm

KASUTAMINE VÄLISTINGIMUSTES

- Kasutage maksimaalselt 30 mA käivitusvooluga rikkevoolu-kaitselülitit (FI)
- Kasutage üksnes välitingimustes kasutamiseks ette nähtud pikendusjuhet, mis on varustatud pritsmekindla pistikupesaga

ENNE KASUTAMIST

- Enne tööriista esmakordset kasutamist on soovitatav küsida praktilisi näpunäiteid
- **Asbestisisaldava materjali töötlemine on keelatud** (asbest võib tekitada vähki)

- **Rakendage kaitsemeetmeid, kui töötamisel võib tekkida tervistkahjustavat, süttimis- või plahvatusohtlikku tolmu** (mõned tolmuliigid on vähkitekitava toimega); kandke tolmukaitsemaski ja võimalusel korral kasutage tolmu-/laastueemaldusseadist
- Pöörake tähelepanu konstruktsioonides varjatult paiknevatele elektrijuhtmetele ning gaasi- ja veetorustikele; kontrollige tööpiirkond üle nt metallotsija abil
- Soonte freesimisel tuleb olla ettevaatlik, eriti kandeseinte puhul (kandeseintesse tehtavate soonte kohta kehtivad konkreetse riigi eeskirjad; nendest eeskirjadest tuleb igal juhul kinni pidada)
- Kinnitage töödeldav ese, kui selle omakaal ei taga kindlat paigalpüsimist
- Tööriista ei tohi kinnitada kruustangide vahele
- Pikendusjuhtmete kasutamisel jälgige, et juhe oleks lõpuni lahti keritud ja vastaks 16 A voolutugevusele
- Kandke kaitseprille ja -kindaid, kõrvaklappe ③ ja turvajalatseid, vajaduse korral ka põlle
- Paigaldage alati lisakäepide E ⑤ ja kettakaitse F ④; ärge kasutage tööriista ilma nendeta
- Vooluvõrku ühendamisel veenduge, et tööriist on välja lülitatud

KASUTAMISE AJAL

- Vältige toitejuhtme kokkupuutumist seadme pöörlevate osadega; hoidke toitejuhet alati tööriistast eemal, tagapool
- Ärge puutuge töö käigus kahjustatud või läbilõigatud toitejuhet, vaid eemaldage seade koheselt vooluvõrgust; ärge kasutage kahjustatud toitejuhtmega seadet
- Spindlilukustusnupule D ④ tohib vajutada ainult siis, kui spindel A ④ seisab
- Hoidke käed pöörlevast tarvikust eemal
- Metallil lihvimisel lendub sädemeid; jälgige, et läheduses ei oleks teisi inimesi ega tuleohtlikke materjale
- Elektrilise või mehhaanilise tõrke korral lülitage tööriist koheselt välja ja eemaldage vooluvõrgust
- Kui lihvimisketas blokeerub ja põhjustab tööriistal järsu reaktsiooni, tuleb tööriist koheselt välja lülitada
- Voolukatkestuse korral ning juhul, kui olete tõmmanud pistiku kogemata pistikupesast välja, vabastage koheselt lüliti (sisse/välja) H ④ ja seadke see asendisse OFF, et vältida tööriista kontrollimatut käivitumist
- Ärge suruge tööriistale nii tugevalt, et see seiskub

PÄRAST KASUTAMIST

- Enne tööriista juurest lahkumist lülitage see välja ning oodake, kuni selle liikuvad osad on täielikult seiskunud
- Keelatud on pidurdada tarvikuid pärast tööriista väljalülitamist külgsurvega

SEADME OSAD ④

- A Spindel
- B Pingutusflanš
- C Pingutusvõti
- D Spindlilukustusnupp
- E Lisakäepide
- F Kettakaitse
- G Kinnitusflanš
- H Lülitit (sisse/välja) lukustusnupp

KASUTAMINE

- Tarviku paigaldamine ④
 - ! **eemaldage seade vooluvõrgust**
 - puhastage spindel A ja kõik monteeritavad osad
 - pingutage kinnitusmutter B võtme C abil, vajutades samal ajal spindlilukustusnupule D
 - tarviku eemaldamiseks toimige vastupidises järjekorras
 - ! **lihvimis-/löikekettad muutuvad kasutamisel väga kuumaks; ärge puudutage neid enne, kui need on maha jahtunud**
 - ! **alati, kui kasutate lihvimistarvikuid, paigaldage lihvimistaldrük**
 - ! **ärge kasutage lihvimis-/löikeketast ilma sildita, mis on kinnitatud liimiga**
- Lisakäepide ⑤
 - ! **eemaldage seade vooluvõrgust**
 - lisakäepidet E on võimalik kruvida tööriista paremale või vasakule küljele (sõltuvalt tehtavast tööst)
- Kettakaitse
 - ! **eemaldage seade vooluvõrgust**
 - kettakaitse F avamiseks keerake lahti kruvi
 - asetage kettakaitse F tööriista esiosal olevale spindlikaela laagrile ja pöörake soovitud asendisse (sõltuvalt tehtavast tööst)
 - kettakaitse F kinnitamiseks keerake kinni kurvi
 - ! **veenduge, et kettakaitse suletud külg on alati kasutaja poole**
- Enne tööriista kasutamist
 - veenduge, et tarkiv on õigesti paigaldatud ja kindlalt kinnitatud
 - kontrollige paigaldatud tarviku vaba liikumist, pöörates seda käega
 - proovijooksuks laske tööriistal turvalises asendis vähemalt 30 sekundit maksimumkiirusel ilma koormuseta töötada
 - tugeva vibratsiooni või muu defekti korral lülitage tööriist viivitamatult välja ja selgitage välja tõrke võimalik põhjus
- Lüliti(sisse/välja)-lukustusnupp H ⑥
 - tööriista sisselülitamine ⑥a
 - ! **tööriista sisselülitamisega kaasneb järsk nõksatus**
 - ! **enne tarviku kokkupuutumist töödeldava esemega peab seade olema saavutanud maksimaalsed pöörded**
 - lüliti fikseerimine ⑥b
 - fikseeringu vabastamine / tööriista väljalülitamine ⑥c
 - ! **enne tööriista väljalülitamist tuleb see töödeldavalt esemelt eemaldada**
 - ! **pärast tööriista väljalülitamist pöörleb tarkiv mõne sekundi jooksul edasi**
- Elektrooniline sujuv käivitus
 - Kindlustab maksimumkiiruse saavutamise ilma äkilise nõksatuseta tööriista sisselülitamisel
- Elektrooniliselt reguleeritud konstantne kiirus
 - Hoiab kiiruse koormuse kasvades muutumatul tasemel
- Lõikamine ⑦
 - liigutage tööriista mõõduka survega edasi-tagasi
 - ! **löikeketast ei tohi kasutada külglihvimiseks**

- Lihvimine ⑧
 - lihvimisel ei tohi tarkivut painutada
 - liigutage tööriista pidevalt tööriista esiosal oleva noole suunas, et vältida selle kontrollimatut haardealast väljasurumist
 - ärge suruge tööriistale liiga suure survega; laske löikeketta kiirusel enda heaks töötada
 - löikeketta tööpöörte arv sõltub lõigatavast materjalist
 - ärge pidurdage löikekettaid külgsurvega
- Tööriista hoidmine ja juhtimine
 - hoidke tööriista kahe käega, et see oleks kogu aeg Teie kontrolli all
 - võtke stabiilne tööasend
 - jälgige pöörlemissuunda; hoidke tööriista nii, et sädemed ja lihvimis-/löikamistolm lendavad Teie kehast eemale
 - hoidke õhutusavad puhtad ja kinnikatmata

NÕUANDEID SEADME KASUTAMISEKS

- Kinnitusmutri B ④ asemel võib kasutada "CLIC" kiirkinnitusmutrit J ④ (SKIL tarkiv 2610388766); võimaldab paigaldada lihvimis-/löikekettaid abitööriista kasutamata

GARANTII / KESKKOND

- Hoidke seade ja toitejuhe alati puhtad (eriti õhutusavad)
 - ! **ärge püüdke puhastada, pistes õhutusavadesse teravaid esemeid**
 - ! **enne puhastamist eemaldage seade vooluvõrgust**
- Sellele SKILi seadmele antav garantii on vastavuses seadustega/konkreetses riigi tingimustega; normaalset kulumisest, ülekoormusest või seadme ebaõigest kasutamisest põhjustatud kahjustused ei kuulu garantiikorras hüvitamisele
- Kaebuste korral toimetage **lahtimonteerimata** seade koos ostukviitungiga tarnijale või lähimasse SKILi lepingulisse töökotta (aadressid ja tööriista varuosade joonise leiate aadressil www.skileurope.com)
- **Ärge visake kasutuskõlbmatuks muutunud elektrilisi tööriistu, lisatarvikuid ja pakendeid ära koos olmejäätmetega** (üksnes EL liikmesriikidele)
 - vastavalt Euroopa Parlamendi ja nõukogu direktiivile 2002/96/EÜ elektri- ja elektroonikaseadmete jäätmete kohta ning direktiivi nõuete kohaldamisele liikmesriikides tuleb kasutuskõlbmatuks muutunud elektrilised tööriistad koguda eraldi ja keskkonnasäästlikult korduvkasutada või ringlusse võtta
 - seda meenutab Teile sümbol ⑨

IEVADS

- Šis elektroinstrumentis ir paredzēts metāla un mūrējumu slīpēšanai, griešanai un rūpīgai slīpēšanai, izmantojot sausas apstrādes metodes; iestiprinot instrumenta piemērotus darbinstrumentus, to var izmantot arī virsmu attīrīšanai (ar suku) un smalkai slīpēšanai
- Izlasiet šo Pamācību un saglabājiet ②

TEHNISKIE PARAMETRI ①
JŪSU DROŠĪBAI

VISPĀRĒJIE DARBA DROŠĪBAS NOTEIKUMI

UZMANĪBU! Rūpīgi izlasiet šos noteikumus. Šeit sniegto darba drošības noteikumu neievērošana var izraisīt ugunsgrēku un būt par cēloni elektriskajam triecienam vai nopietnam savainojumam. Turpmākajā izklāstā lietotais apzīmējums 'Elektroinstrumentis' attiecas gan uz tīkla elektroinstrumentiem (ar elektrokabeļi).

1) DARBA VIETA

- Sekoņiet, lai darba vieta būtu tīra un sakārtota.** Nekārtīgā darba vietā un sliktā apgaismojumā var viegli notikt nelaimes gadījums.
- Nelietojiet elektroinstrumentu eksplozīvu vai ugunsnedrošu vielu tuvumā un vietās ar paaugstinātu gāzes vai putekļu saturu gaisā.** Darba laikā instruments nedaudz dzirksteļo, un tas var izsaukt viegli degošu putekļu vai tvaiku aizdegšanos.
- Lietojot elektroinstrumentu, neļaujiet nepiederošām personām un jo īpaši bērniem tuvoties darba vietai.** Citu personu klātbūtne var novērst uzmanību, un tā rezultātā jūs varat zaudēt kontroli pār instrumentu.

2) ELEKTRODROŠĪBA

- Elektroinstrumenta kontaktdakšai jābūt piemērotai elektrotīkla kontaktlīdžai. Kontaktdakšas konstrukciju nedrīkst nekādā veidā mainīt. Nelietojiet kontaktdakšas salāgotājus, ja elektroinstrumenta caur kabeli tiek savienots ar aizsargzēmēja ķēdi.** Neizmainītas konstrukcijas kontaktdakša, kas piemērota kontaktlīdžai, ļauj samazināt elektriskā trieciena saņemšanas risku.
 - Darba laikā nepieskarieties sazēmētiem priekšmetiem, piemēram, caurulēm, radiatoriem, plītiņiem vai ledusskapjiem.** Pieskaroties sazēmētām virsmām, pieaug risks saņemt elektrisko triecienu.
 - Nelietojiet elektroinstrumentu lietus laikā, neturiet to mitrumā.** Mitrumam iekļūstot instrumentā, pieaug risks saņemt elektrisko triecienu.
 - Nenesiet un nepiekariet elektroinstrumentu aiz elektrokabeļa. Neraujiet aiz kabeļa, ja vēlaties atvienot instrumentu no elektrotīkla kontaktlīdžas.** Sargājiet elektrokabeļi no karstuma, eļļas, asām šķautnēm un instrumenta kustīgajām daļām. Bojāts vai samezģojies elektrokabeļis var būt par cēloni elektriskajam triecienam.
- Darbinot elektroinstrumentu ārpus telpām, izmantojiet tā pievienošanai vienīgi tādus pagarinātājkaabeļus, kuru lietošana ārpus telpām ir atļauta.** Lietojot elektrokabeļi, kas piemērots darbam ārpus telpām, samazinās risks saņemt elektrisko triecienu.

3) PERSONISKĀ DROŠĪBA

- Darba laikā saglabājiet paškontroli un rīkojieties saskaņā ar veselo saprātu. Pārtrauciet darbu, ja jūtaties noguris vai atrodaties alkohola, narkotiku vai medikamentu izraisītā reibumā.** Strādājot ar elektroinstrumentu, pat viens neuzmanības mirklis var būt par cēloni nopietnam savainojumam.
- Izmantojiet individuālos darba aizsardzības līdzekļus un darba laikā vienmēr nēsājiet aizsargbrilles.** Individuālo darba aizsardzības līdzekļu (putekļu maskas, neslīdošu apavu un aizsargķiveres vai ausu aizsargu) pielietošana atbilstoši elektroinstrumenta tipam un veicamā darba raksturam ļauj izvairīties no savainojumiem.
- Nepieļaujiet elektroinstrumenta patvaļīgu ieslēgšanos.** Pirms pievienošanas elektrotīkla kontaktlīdžai pārlicinieties, ka instrumenta ieslēdzējs atrodas stāvoklī 'OFF'. Pārnesot instrumentu, ja pirksts atrodas uz ieslēdzēja, kā arī pievienojot to barojošajam elektrotīklam laikā, kad instruments ir ieslēgts, viegli var notikt nelaimes gadījums.
- Pirms instrumenta ieslēgšanas neaizmirstiet izņemt no tā regulējošos instrumentus vai skrūvjtatslēgas.** Patronatslēga vai skrūvjtatslēga, kas instrumenta ieslēgšanas brīdī nav izņemta no tā, var radīt savainojumu.
- Strādājot ar elektroinstrumentu, ieturiet stingru stāju.** Darba laikā vienmēr saglabājiet līdzsvaru un centieties nepaslidēt. Tas atvieglos instrumenta vadību neparedzētās situācijās.
- Izvēlieties darbam piemērotu apģērbu.** Darba laikā nenēsājiet brīvi plandošas drēbes un rotaslietas. Netuviniet matus, apģērbu un aizsargcimdu instrumenta kustīgajām daļām. Valģīgas drēbes, rotaslietas un gari mati var iekerties instrumenta kustīgajās daļās.
- Ja elektroinstrumenta konstrukcija ļauj tam pievienot ārējo putekļu atsūkšanas vai savākšanas/uzkrāšanas ierīci, sekojiet, lai tā tiktu pievienota elektroinstrumentam un pareizi darbotos.** Pielietojot putekļu atsūkšanu vai savākšanu/uzkrāšanu, samazinās putekļu kaitīgā ietekme uz strādājošās personas veselību.

4) ELEKTROINSTRUMENTU LIETOŠANA UN APKOPE

- Nepārslodģojiet elektroinstrumentu.** Katram darbam izvēlieties piemērotu instrumentu. Elektroinstrumentus darbosies labāk un drošāk pie nominālās slodģes.
- Nelietojiet elektroinstrumentu, ja ir bojāts tā ieslēdzējs.** Elektroinstrumenti, ko nevar ieslēģt un izslēģt, ir bīstams lietošanai un to nepieciešams remontēt.
- Pirms apkopes, regulēšanas vai darbinstrumenta nomaiņas atvienojiet elektroinstrumenta kontaktdakšu no baroģošā elektrotīkla.** Šādi iespējams samazināt elektroinstrumenta neģauģas ieslēģģanas risku.

- d) **Elektroinstrumentu, kas netiek darbināts, uzglabājiet piemērotā vietā, kur tas nav sasniedzams bērniem un personām, kuras neprot rīkoties ar instrumentu.** Ja elektroinstrumentu lieto nekompetentas personas, tas var apdraudēt cilvēku veselību.
- e) **Rūpīgi veiciet elektroinstrumenta apkalpošanu. Pārbaudiet, vai kustīgās daļas darbojas bez traucējumiem un nav iespīlētas, vai kāda no daļām nav salauzta vai bojāta, vai katra no tām pareizi funkcionē un pilda tai paredzēto uzdevumu. Nodrošiniet, lai bojātās daļas tiktu savlaicīgi nomainītas vai remontētas pilnvarotā remontu darbnīcā.** Daudzi nelaimes gadījumi notiek tāpēc, ka elektroinstrumenti pirms lietošanas nav pienācīgi apkalpoti.
- f) **Savlaicīgi notīriet un uzasiniet griezošos darbinstrumentus.** Rūpīgi kopti instrumenti, kas apgādāti ar asiem griezējinstrumentiem, ļauj strādāt daudz ražīgāk un ir vieglāk vadāmi.
- g) **Lietojiet vienīgi tādas elektroinstrumentus, papildpiederumus, darbinstrumentus utt., kas paredzēti attiecīgajam pielietojuma veidam un/vai ir piemēroti attiecīgajam instrumentam. Bez tam jāņem vērā arī konkrētie darba apstākļi un pielietojuma īpatnības.** Elektroinstrumentu lietošana citiem mērķiem, nekā tā ir paredzējusi ražotājfirma, ir bīstama un var novest pie neparedzamām sekām.

5) APKALPOŠANA

- a) **Nodrošiniet, lai Instrumenta remontu veiktu kvalificēts personāls, nomaīnai izmantojot oriģinālās rezerves daļas un piederumus.** Tikai tā iespējams panākt instrumenta ilgstošu un nevainojamu darbību bez atteikumiem.

DROŠĪBAS NOTEIKUMI DARBAM AR LEŅĶA SLĪPMAŠĪNU

VISPĀRĒJIE DROŠĪBAS NOTEIKUMI

- Lietojiet šo instrumentu tikai sausai slīpēšanai un griešanai
 - Izmantojiet tikai instrumenta piegādes komplektā ietilpstošos piespiedējuzgriežņus
 - Ar šo instrumentu nav atļauts strādāt personām, kuras jaunākas par 16 gadiem
 - **Pirms instrumenta regulēšanas vai palīgpiederumu nomaīņas atvienojiet to no barojošā elektrotīkla**
- ### PAPILDPIEDERUMI
- Lietojiet oriģinālos firmas SKIL papildpiederumus; iegādājoties tos pie firmas SKIL oficiālā izplatītāja
 - Uzstādot vai izmantojot citu firmu papildpiederumus, ievērojiet to ražotāju sniegtās instrukcijas
 - Lietojiet tikai tādas darbinstrumentus, kuru pielaujamais darbības ātrums ir vismaz tikpat liels, kā instrumenta maksimālais tukšgaitas ātrums
 - Nelietojiet bojātus, izbalansētus vai vibrējošus slīpdiskus vai griešanas diskus
 - Lai slīpdiskus un griešanas diskus nerastos plaisas un lūzumi, apejieties ar tiem uzmanīgi un pievērsiet vērību šo darbinstrumentu drošai uzglabāšanai
 - Sargājiet darbinstrumentus no triecieniem, sitieniem un smērvielām

- Neizmantojiet slīpdiskus vai griešanas diskus, kuru diametrs pārsniedz instrumenta tehniskajos parametros uzrādīto maksimālo izmēru
- Lietojiet tikai tādas slīpdiskus vai griešanas diskus, kuru centrālā atvere ir uzvietoama uz atbalsta paplāksnes G ④ cieši, bez spēles; nelietojiet palīgpiederumus vai adapterus, lai pielāgotu uzstādīšanai slīpdiskus vai griešanas diskus ar lielāka diametra centrālo atveri
- Neizmantojiet slīpdiskus vai griešanas diskus ar vītņotu centrālo atveri, ja tās vītne nav pietiekoši gara, lai tajā varētu ieskrūvēt instrumenta darbvārpstas vītņoto galu visā tā garumā
- Neizmantojiet papildpiederumus ar "aklo" vītņoto atveri, kas ir mazāka par M14 x 21 mm

DROŠĪBAS TEHNIKAS NOTEIKUMI, KAS JĀIEVĒRO, STRĀDĀJOT ĀRPUS TĒLPĀM

- Ja instruments tiek izmantots ārpus telpām, pievienojiet to elektriskajam spriegumam, izmantojot noplūdes strāvas aizsargreleju, kas nostrādā, ja strāva instrumenta aizsargzēmējuma ķēdē pārsniedz 30 mA
- Instrumenta pievienošanai pie elektrotīkla ārpus telpām izmantojiet tikai tādas pagarinātājkabeļus, kas paredzēti šādi lietošanai un ir aizsargāti pret mitrumu

DROŠĪBAS TEHNIKAS NOTEIKUMI, KAS JĀIEVĒRO PIRMS DARBA UZSĀKŠANAS

- Pirms lietojot instrumentu pirmo reizi, ieteicams saņemt praktisku informāciju par tā darbības principiem
- **Neapstrādājiet materiālus, kas satur azbestu** (azbestam piemīt kancerogēnas īpašības)
- **Veiciet nepieciešamos drošības pasākumus, ja darba gaitā var izdalīties veselībai kaitīgi, ugunsnedroši vai sprādzienbīstami putekļi** (daudzu materiālu putekļiem piemīt kancerogēnas īpašības); tāpēc darba laikā nēsājiet aizsargmasku un pielietojiet putekļu un skaidu uzsūkšanu, ja instrumenta konstrukcija ļauj tam pievienot ārējo putekļu un skaidu uzsūkšanas ierīci
- Pirms darba uzsākšanas vienmēr pārbaudiet, vai darba zonu nesāpē nosegta elektropārvades līnijas, gāzes vai ūdens caurules, šim nolūkam izmantojot, piemēram, metāla detektoru
- Esiet uzmanīgs, griežot dažādas ailes, īpaši ēku nesošajās sienās (aiļu veidošana nesošajās sienās tiek reglamentētas katras valsts likumdošanā, un šie noteikumi obligāti jāievēro)
- Nostipriniet apstrādājamo priekšmetu, ja paša svars tam nenodrošina pietiekošu stabilitāti
- Nenostipriniet instrumentu, iespējot to skrūvspīlēs
- Lietojiet piemērotu pagarinātājkabeli, kura darba strāva ir vismaz 16 A; pirms pievienošanas elektrotīklam to pilnīgi atritiniet
- Darba laikā uzvelciet aizsargbrilles, aizsargcimdus, ausu aizsargus ③ un masīvus apavus; nepieciešamības gadījumā lietojiet arī priekšsautu
- Pirms instrumenta lietošanas obligāti nostipriniet uz tā papildrokturī E ⑤ un aizsargu F ④
- Pirms instrumenta pievienošanas elektrotīklam pārlielicinieties, ka tā ieslēdzējs ir izslēgtā stāvoklī

DROŠĪBAS TEHNIKAS NOTEIKUMI, KAS JĀIEVĒRO DARBA LAIKĀ

- Darba laikā sekojiet, lai elektrokabelis atrastos drošā attālumā no instrumenta kustīgajām daļām un stieptos prom no darba vietas virzienā uz aizmuguri
- Ja instrumenta elektrokabelis darba gaitā tiek bojāts vai pārrauts, nepieskarieties tam, bet nekavējoties atvienojiet kabeļa kontaktdakšu no barojošā elektrotīkla; nelietojiet instrumentu, ja tās elektrokabelis ir bojāts
- Darbvārpstas fiksācijas pogu D ④ drīkst nospiegt tikai tad, kad instrumentas darbvārpsta A ④ atrodas miera stāvoklī
- Netuviniet rokas rotējošam darbinstrumentam
- Slīpējot metālu, veidojas dzirksteles; sekojiet, lai tās neapdraudētu tuvumā esošos cilvēkus, kā arī lai dzirksteļu lidošanas zonas tuvumā neatrastos viegli uzliesmojoši materiāli
- Mehāniska vai elektriska rakstura kļūmes gadījumā nekavējoties izslēdziet instrumentu un atvienojiet to no barojošā elektrotīkla
- Ja darba gaitā iesprūst griešanas disks, radot papildus lieces momentu, kas iedarbojas uz operatora rokām, nekavējoties izslēdziet instrumentu
- Ja darba laikā pārtrūkst elektrobarošanas padeve vai elektrokabeļa kontaktdakša nejausi atvienojas no elektrotīkla, nekavējoties izslēdziet instrumentu (H ④), lai nodrošinātos pret tās patvaļīgu ieslēgšanos
- Nepārslodojiet instrumentu līdz tādi pakāpei, ka tās darbvārpsta tiek pilnīgi nobremzēta

DROŠĪBAS TEHNIKAS NOTEIKUMI, KAS JĀIEVĒRO PĒC DARBA PABEIGŠANAS

- Pirms instrumenta novietošanas izslēdziet to un nogaidiet, līdz tā kustīgās daļas pilnīgi apstājas
- Pēc instrumenta izslēgšanas nobremzējiet rotējošo darbinstrumentu ar sāns্পiedienu

INSTRUMENTA ELEMENTI ④

- A Darbvārpsta
- B Piespiedējuzgrieznie
- C Uzgriežņu atslēga
- D Darbvārpstas fiksācijas poga
- E Papildrokturis
- F Aizsargs
- G Atbalsta paplāksne
- H Ieslēdzējs ar fiksāciju

DARBS

- Darbinstrumentu iestiprināšana ④
 - ! **atvienojiet instrumentu no elektrotīkla**
 - pirms darbinstrumenta iestiprināšanas notīriet darbvārpstu A un pārējās iestiprināmās daļas
 - nospiediet darbvārpstas fiksācijas pogu D un ar uzgriežņu atslēgas C palīdzību stingri pievelciet piespiedējuzgriezni B
 - lai noņemtu darbinstrumentu, rīkojieties pretējā secībā
- ! **darba gaitā slīpdiski un griešanas diski stipri sakarst, tādēļ nepieskarieties tiem, pirms darbinstrumenti nav atdzisuši**
- ! **lietojot slīpēšanai paredzētos darbinstrumentus, iestipriniet arī gumijas pamatni**

! **neizmantojiet slīpdiskus vai griešanas diskus bez ražotājfirmas marķējuma atraujamas uzlīmes veidā**

- Papildrokturis ⑤
 - ! **atvienojiet instrumentu no elektrotīkla**
 - ieskrūvējiet papildrokturi E instrumenta galvas labajā vai kreisajā pusē atbilstoši veicamā darba raksturam
- Aizsargs
 - ! **atvienojiet instrumentu no elektrotīkla**
 - atveriet aizsargu F, nedaudz atskrūvējot skrūvi
 - novietojiet aizsargu F uz slīpmašīnas darbvārpstas aptveres un pagrieziet to vajadzīgajā stāvoklī, kas atbilst veicamā darba raksturam
 - nostipriniet aizsargu F, pieskrūvējot skrūvi
 - ! **aizsarga slēgtajai pusei vienmēr jābūt vērstai operatora virzienā**
- Pirms darba uzsākšanas
 - pārbaudiet, vai darbinstruments ir pareizi novietots uz darbvārpstas un stingri nostiprināts
 - pagriežot darbinstrumentu ar roku, pārbaudiet, vai tas var brīvi rotēt
 - pārbaudiet instrumentu, turot to drošā stāvoklī un ļaujot darboties pie maksimālā tukšgaitas ātruma vismaz 30 sekundes
 - ja ir novērojama stipra vibrācija vai tiek konstatēti kādi citi defekti, nekavējoties izslēdziet instrumentu un pārbaudiet instrumentu
- Ieslēdzējs ar fiksāciju H ⑥
 - instrumenta ieslēgšana ⑥a
 - ! **uzmanieties no pēkšņā grūdiņa, kas var rasties instrumenta ieslēgšanas brīdī**
 - ! **kontaktējiet darbinstrumentu ar apstrādājamo materiālu tikai pēc tam, kad instrumentas ātrums ir sasniedzis nominālo vērtību**
 - ieslēdzēja fiksēšana ieslēgtā stāvoklī ⑥b
 - ieslēdzēja defiksēšana un instrumenta izslēgšana ⑥c
 - ! **pirms instrumenta izslēgšanas paceliet to no apstrādājamā priekšmeta virsmas**
 - ! **darbinstruments zināmu laiku turpina griezties arī pēc instrumenta izslēgšanas**
- Elektroniskā palaišanas strāvas ierobežošana
 - Elektroniskā palaišanas strāvas ierobežošana nodrošina, ka darbvārpstas maksimālais griešanās ātrums tiek sasniegts pakāpeniski, bez pēkšņa grūdiņa instrumenta ieslēgšanas brīdī
 - Elektroniskā pastāvīga darbības ātruma uzturēšana Elektroniskā pastāvīga darbības ātruma uzturēšana nodrošina, ka darbvārpstas griešanās ātrums, slodzei pieaugot, paliek nemainīgs
- Slīpēšana ⑦
 - darba laikā pārvietojiet instrumentu turp un atpakaļ, izdarot uz apstrādājamo virsmu mērenu spiedienu
 - ! **nekādā gadījumā neizmantojiet griešanas disku, lai veiktu sānu slīpēšanu**
- Griešana ⑧
 - darba laikā nesasveriet instrumentu sānu virzienā
 - lai izvairītos no atslīdēšanas (parādības, kad griešanas disks darba laikā patvaļīgi atlec no saskares punkta un tiek rauts augšup), pārvietojiet instrumentu uz instrumenta galvas attēlotās bultas vērsuma virzienā

- ļaujiet, lai instruments griešanu veic brīvi, neizdariet uz to lielu spiedienu
- griešanas diska darba ātrums ir atkarīgs apstrādājamā materiāla īpašībām
- nebremzēt rotējošu griešanas disku ar sānu spiedienu
- Instrumenta turēšana un vadīšana
 - lai nodrošinātu pilnīgu instrumenta kontroli, stingri turiet to ar abām rokām
 - darba laikā nodrošiniet kājām stingru atbalstu
 - pievērsiet uzmanību darbinstrumenta rotācijas virzienam; vienmēr turiet instrumentu tā, lai slīpēšanas vai griešanas procesā radušās dzirksteles un putekļi lidotu prom no operatora
 - uzturiet instrumenta ventilācijas atveres tīras un nenosprostotas

PRAKTISKI PADOMI

- Piespiedējuzgriežņa B ④ vietā var izmantot ātrās stiprināšanas piespiedējuzgriezni "CLIC" J ④ (SKIL pasūtījuma numurs 2610388766); slīpdiskus un griešanas diskus šādā gadījumā var iestiprināt bez jebkādu instrumentu palīdzības

GARANTĪJA / APKĀRTĒJĀS VIDES AIZSARDZĪBA

- Uzturiet tīru instrumentu un elektrokabēli (īpaši ventilācijas atveres)
 - ! **nemēģiniet tīrīt ventilācijas atveres, ievietojot atverēs smailus priekšmetus**
 - ! **pirms instrumenta tīrīšanas atvienojiet to no elektrotilkla**
- Šim firmas SKIL izstrādājumam tiek sniegta ražotāja garantija saskaņā ar starptautiskajā un nacionālajā likumdošanā noteiktajām prasībām un noteikumiem; taču garantija neattiecas uz bojājumiem, kuru cēlonis ir instrumenta normāls nodilums, pārslodze vai nepareiza apiešanās ar to
- Rodoties pretenzijām, nogādājiet izstrādājumu kopā ar iegādes dokumentiem tuvākajā tirdzniecības vietā vai firmas SKIL pilnvarotā pēciegādes apkalpošanas un remontu iestādē **neizjauktā veidā** (adreses un instrumenta apkalpošanas shēma tiek sniegta datortīklā Internet ar adresi www.skileurope.com)
- **Neizmetiet elektroiekārtas, piederumus un iesaiņojuma materiālus sadzīves atkritumos** (tikai ES valstīm)
 - saskaņā ar Eiropas Direktīvu 2002/96/EG par lietotajām elektroiekārtām, elektronikas iekārtām un tās iekļaušanu valsts likumdošanā lietotās elektroiekārtas ir jāsavāc atsevišķi un jānogādā otrreizējai pārstrādei videi draudzīgā veidā
 - speciāls simbols ⑨ atgādina par nepieciešamību tos utilizēt videi nekaitīgā veidā

Kampinis šlifvuoklis

9295

ĪVADAS

- Šis prietaiss skirtas metālo ir akmens rupiam apdīrbimui, pjaustymui ir šveitimui, nenaudojant vandens; su tinkama papildoma jringa šiuo prietaisu taip pat galima atlikti pirminj šlifavimā ir šlifuoti
- Atidžiai perskaitykite šią eksploatacijos instrukcijā ir jā išsaugokite ②

TECHNINĒS CHARAKTERISTIKOS ① DARBO SAUGA

BENDROSĪOS DARBO SAUGOS NUORODOS

DĒMESIO! Perskaitykite visas šias nuorodas. Jei nepaisysite toliau pateiktų nuorodų, gali kilti elektros smūgio, gaisro ir / arba sunkių sužalojimų pavojus. Toliau pateiktame tekste naudojama sąvoka 'Elektrinis įrankis' apibūdina įrankius, maitinamus iš elektros tinklo (su maitinimo laidu).

1) DARBO VIETA

- Darbo vieta turi būti švari ir tvarkinga.** Tinkama ir blogai apšviesta darbo vieta gali tapti nelaimingų atsitikimų priežastimi.
- Nedirbkite tokioje aplinkoje, kur yra degių skysčių, dujų ar dulkių.** Elektriniai įrankiai gali kibirkščiuoti, o nuo kibirkščių dulksės arba susikaupę garai gali užsidegti.
- Dirbdami su elektriniu įrankiu neleiskite šalia būti žiūrovams, vaikams ir lankytojams.** Nukreipę dėmesį į kitus asmenis galite nebesuvaldyti prietaiso.

2) ELEKTROSAUGA

- Maitinimo laido kištukas turi atitikti tinklo rozetės tipą.** Kištuko jokių būdu negalima modifikuoti. **Nenaudokite jokių kištuko adapterių su žemintais prietaisais.** Originalūs kištukai, tiksliai tinkantys elektros tinklo rozetei, sumažina elektros smūgio pavojų.
- Venkite kūno kontakto su žemintais paviršiais, tokiais kaip vamzdžiai, šildytuvai, viryklės ar šaldytuvai.** Egzistuoja padidinta elektros smūgio rizika, jei Jūsų kūnas bus įžemintas.
- Saugokite prietaisą nuo lietaus ir drėgmės.** Jei vanduo patenka į elektrinį prietaisą, padidėja elektros smūgio rizika.
- Nenaudokite maitinimo laido ne pagal paskirtį, t. y. neneškite prietaiso paėmę už laido, nekabinkite prietaiso už laido, netraukite už jo, norėdami išjungti kištuką iš rozetės.** Laidą klokite taip, kad jo neveiktų karštis, jis neišsitemptų alyva ir jo nepažeistų aštrios detalės ar judančios prietaiso dalys. Pažeisti arba susipynę laidai gali tapti elektros smūgio priežastimi.
- Jeigu su elektriniu įrankiu dirbate lauke, naudokite tik tokius ilginimo kabelius, kurie tinka lauko darbams.** Naudojant lauko darbams pritaikytus ilginimo kabelius, sumažinamas elektros smūgio pavojus.

3) ŽMONIŲ SAUGA

a) **Būkite atidūs, sutelkite dėmesį į tai, ką Jūs darote ir dirbdami su elektriniu įrankiu, vadovaukitės sveiku protu. Nedirbkite su prietaisu, jei esate pavargę arba vartojate narkotikus, alkoholio ar medikamentus.** Akimirksnio neatidumas naudojant prietaisą gali tapti rimtų sužalojimų priežastimi.

b) **Naudokite asmenines apsaugos priemones ir visuomet užsidėkite apsauginius akinius.** Naudojant asmenines apsaugos priemones, pvz., respiratorių ar apsauginę kaukę, neslystantčius batus, apsauginį šalną, klausos apsaugos priemones ir kt., rekomenduojamas dirbant su tam tikros rūšies įrankiais, sumažėja rizika susižeisti.

c) **Saugokitės, kad neįjungtumėte prietaiso atsitiktinai. Prieš kišdami kištuką į elektros tinklo lizdą įsitikinkite, kad prietaisas yra išjungtas.** Jeiigu nešdami prietaisą pirštą laikysite ant jungiklio arba prietaisą įjungsite į elektros tinklą, kuomet jungiklis nėra išjungtas, tai gali tapti nelaimingo atsitikimo priežastimi.

d) **Prieš įjungdami prietaisą pašalinkite reguliavimo įrankius arba veržlių raktus.** Prietaiso besisukančioje dalyje esantis įrankis ar raktas gali tapti sužalojimų priežastimi.

e) **Nepervertinkite savo galimybių. Dirbdami atsistokite patikimai ir visada išlaikykite pusiausvyrą.** Patikima stovėseną ir tinkama kūno laikysena leis geriau kontroliuoti prietaisą netikėtose situacijose.

f) **Dėvėkite tinkamą aprangą. Nedėvėkite plačių drabužių ir papuošalų. Saugokite plaukus, drabužius ir pirštines nuo besisukančių prietaiso dalių.** Laisvus drabužius, papuošalus bei ilgus plaukus gali įtraukti besisukančios dalys.

g) **Jei yra numatyta galimybė prijungti dulkių nusiurbimo ar surinkimo įrenginius, visada įsitikinkite, ar jie yra prijungti ir ar teisingai naudojami.** Šių įrenginių naudojimas sumažina kenksmingą dulkių poveikį.

4) RŪPESTINGA ELEKTRINIŲ ĮRANKIŲ PRIEŽIŪRA IR NAUDOJIMAS

a) **Neperkraukite prietaiso. Naudokite Jūsų darbu tinkamą elektrinį įrankį.** Su tinkamu elektriniu įrankiu Jūs dirbsite geriau ir saugiau, jei neviršysite nurodyto galingumo.

b) **Nenaudokite elektrinio įrankio su sugedusiu jungikliu.** Elektrinis įrankis, kurio nebegalima įjungti ar išjungti, yra pavojingas ir jį reikia remontuoti.

c) **Prieš reguliuodami prietaisą, keisdami darbo įrankius ar prieš valydami prietaisą ištraukite kištuką iš elektros tinklo rozetės.** Ši saugumo priemonė apsaugos jus nuo netikėto prietaiso įsijungimo.

d) **Nenaudokiamą prietaisą sandėliuokite vaikams ir nemokantiems juo naudotis asmenims neprieinamoje vietoje.** Elektriniai įrankiai yra pavojingi, kai juos naudoja nepatyrę asmenys.

e) **Rūpestingai prižiūrėkite prietaisą. Tikrinkite, ar besisukančios prietaiso dalys tinkamai veikia ir niekur nekliūva, ar nėra sulūžusių ar šiaip pažeistų dalių, kurios įtakotų prietaiso veikimą.** Prieš vėl naudojant prietaisą pažeistos prietaiso dalys turi būti suremontuotos. Daugelio nelaimingų atsitikimų priežastis yra blogai prižiūrimi elektriniai įrankiai.

f) **Pjovimo įrankiai turi būti aštrūs ir švarūs.** Rūpestingai prižiūrėti pjovimo įrankiai su aštriomis pjaunamosiomis briaunomis mažiau stringa ir juos yra lengviau valdyti.

g) **Elektrinį įrankį, papildomą įrangą, darbo įrankius ir t. t. naudokite taip, kaip nurodyta šioje instrukcijoje ir šiam konkrečiam prietaiso tipui taikomuose reikalavimuose. Taip pat atsižvelkite į darbo sąlygas bei atliekamą darbo pobūdį.** Naudojant elektrinius įrankius ne pagal jų paskirtį galima sukelti pavojingas situacijas.

5) APTARNAVIMAS

a) **Prietaisą turi remontuoti tik kvalifikuotas specialistas ir naudoti tik originalias atsargines dalis.** Taip galima garantuoti, jog prietaisas išliks saugus.

DARBŲ SAUGOS NUORODOS DIRBANTIEMS SU KAMPINIAIS ŠLIFUOKLIAIS

BENDROJI DALIS

- Šį prietaisą galima naudoti tik sausam šlifavimui ar pjovimui
- Naudokite tik kartu su šiuo prietaisu tiekiamus flanšus
- Asmenims, jaunesniems nei 16 metų, prietaisu naudotis draudžiama
- **Prieš reguliuojant prietaisą arba keičiant darbo įrankius, ištraukite kištuką iš el. tinklo lizdo**

PAPILDOMA ĮRANGA

- Naudokite tik originalią SKIL papildomą įrangą, kurią galite įsigyti specializuotose SKIL paruoštosiose arba SKIL firmos įgaliotose dirbtuvėse
- Naudodami kitur pagamintą papildomą įrangą vadovaukitės gamintojo pateiktais nurodymais
- Leidžiama naudoti tik tokius įrankius, kurių maksimalus leistinas apsisukimų skaičius yra ne mažesnis, nei maksimalus Jūsų prietaiso sukčių skaičius
- Draudžiama naudoti įtrūkusius, deformuotus arba vibruojančius šlifavimo ar pjovimo diskus
- Atsargiai elkitės su šlifavimo ir pjovimo diskais, kad jie neįtrūktų arba nesuskiltų
- Papildomą įrangą saugokite nuo smūgių, sutrenkimų bei riebalų poveikio
- Draudžiama naudoti rupaus apdirbimo ir pjovimo diskus, kurių diametras yra didesnis, nei maksimalus rekomenduojamas
- Naudokite tik tuos šlifavimo ir pjovimo diskus, kurių tvirtinimo angos skersmuo tiksliai atitinka flanšo G ④ diametrą; negalima naudoti jokių tarpinių elementų ar adapterių kad pritaikytumėte rupaus šlifavimo ar pjovimo diskus su didesniu angos skersmeniu
- Draudžiama naudoti tokius šlifavimo ar pjovimo įrankius, kurių tvirtinimo angos sriegio ilgis yra trumpesnis, nei prietaiso suklio sriegio ilgis
- Jokių būdu nenaudokite papildomos įrangos su uždaru sriegiu, kurio matmenys mažesni nei M14 x 21 mm

EKSPLOATACIJA LAUKE

- Prietaisą prijunkite prie elektros tinklo per nuotėkio srovės apsauginį išjungiklį (F1-), kurio minimali suveikimo srovė yra ne didesnė kaip 30 mA
- Naudokite tik lauko darbams skirtus prailginimo kabelius su hermetiškomis jungtimis

PRIEŠ EKSPLOATACIJĄ

- Prieš naudojant prietaisą pirmą kartą rekomenduojame įgyti praktinių žinių
- **Draudžiama apdirbti medžiagas, kurių sudėtyje yra asbesto** (asbestas pasižymi vėžą sukeliančiu poveikiu)
- **Naudokite tinkamas apsaugos priemones, jei dirbant gali susidaryti pavojingos sveikatai, greitai užsiliepsnojančios arba sprogios dulkės** (kai kurių medžiagų dulkės gali sukelti vėžį); todėl yra būtina dirbti su apsauginiu respiratoriumi ir naudoti tinkamą išorinio nusiurbimo įrenginį, jei yra numatyta galimybė jį prijungti prie įrankio
- Prieš pradėdami dirbti, patikrinkite, pvz., metalo detektoriumi, ar darbo vietoje nėra paslėptų elektros laidų, dujų ar vandens vamzdžių
- Frezuodami griovelius elkitės atsargiai, ypač jei darote įpjovas atraminėse sienose (išilginės įpjovos atraminėse sienose dažniausiai yra reglamentuojamos atitinkamais valstybės teisiniais aktais; šių reglamentų reikalavimų būtina laikytis)
- Jei ruošinio svorio neužtenka, kad jis liktų stabilioje padėtyje, įtvirtinkite jį
- Prietaisą draudžiama tvirtinti spaustuvoose
- Naudodami prailginimo kabelius atkreipkite dėmesį, kad kabelis būtų iki galo išvyniotas ir būtų pritaikytas 16 A el. srovei
- Užsidėkite apsauginius akinius, ausines ③ mūvėkite pirštines ir avėkite apsauginius batus; reikalui esant dėvėkite taip pat ir prijuostę
- Visuomet naudokite šoninę rankeną E ⑤ ir apsauginį gaubtą F ④; nedirbkite su prietaisu be jų
- Prieš kišdami kištuką į elektros lizdą įsitikinkite, kad prietaisas yra išjungtas

EKSPLOATACIJA

- Pasirūpinkite, kad maitinimo kabelis nebūtų arti besisukančių prietaiso dalių; klokite jį kuo toliau už prietaiso
- Jei darbo metu kabelį pažeisite arba perpjausite, jo nelieskite, bet tuoj pat ištraukite kištuką iš elektros tinklo lizdo; jokiu būdu nedirbkite su prietaisu, jei jo kabelis pažeistas
- Suklio fiksavimo mygtuką D ④ spauskite tik tada, kai suklys A ④ nesisuka
- Nelieskite rankomis besisukančių darbo įrankių
- Šlifuojant metalą kyla kibirkštys; atkreipkite dėmesį, kad Jums dirbant aplink nebūtų degių medžiagų ar kitų asmenų, kuriuos galėtų sužeisti lekiančios kibirkštys
- Atsiradus elektrinio ar mechaninio pobūdžio gedimams, prietaisą tuoj pat išjunkite ir ištraukite kištuką iš elektros tinklo lizdo
- Jei pjovimo diskas įstringa ir prietaisas pradeda trūkti, tuojau pat jį išjunkite

- Jei nutrūksta elektros srovės tiekimas arba netyčia ištraukiate kištuką iš elektros lizdo, tuojau pat atblokuokite įjungimo ir išjungimo jungiklį H ④ ir perjunkite jį į padėtį "OFF"; taip apsaugosite nuo galimo savaiminio išjungimo vėl atsiradus srovei
 - Dirbdami neapkraukite prietaiso tiek, kad jis sustotų
- ## PO EKSPLOATACIJOS
- Prieš padėdami prietaisą jį išjunkite ir palaukite, kol visos besisukančios jo dalys galutinai sustos
 - Išjungę prietaisą, besisukančių darbo įrankių nestabdykite šoniniu prispaudimu

PRIETAISO ELEMENTAI ④

- A Suklys
- B Prispaudžiamasis flanšas
- C Priveržiamasis raktas
- D Suklio fiksavimo mygtukas
- E Šoninė rankena
- F Apsauginis gaubtas
- G Tvirtinamasis flanšas
- H Fiksuojamas įjungimo ir išjungimo jungiklis

NAUDOJIMAS

- Papildomos įrangos montavimas ④
 - ! **ištraukite kištuką iš elektros lizdo**
 - prieš uždėdami papildomą įrangą nuvalykite suklij A ir visas detales, kurias montuosite
 - nuspaudę suklio fiksavimo mygtuką D, raktu C užsukite prispaudimo varžlę B
 - norėdami nuimti darbo įrankius, viską darykite atvirkštine tvarka
 - ! **darbo metu rupaus šlifavimo ir pjovimo diskai labai įkaista; nelieskite jų rankomis, kol neatauš**
 - ! **naudodami šlifavimo popieriaus lapelius, visada sumontuokite guminį šlifavimo diską**
 - ! **niekuomet nenaudokite rupaus šlifavimo ir pjovimo diskų, jei nuo jų nusilupusi klijuojama etiketė**
- Šoninė rankena ⑤
 - ! **ištraukite kištuką iš elektros tinklo lizdo**
 - šoninę rankeną E galima prisukti dešinėje arba kairėje prietaiso pusėje (priklausomai nuo darbo pobūdžio)
- Apsauginis gaubtas
 - ! **ištraukite kištuką iš elektros tinklo lizdo**
 - atleiskite varžtą
 - uždėkite apsauginį gaubtą F ant prietaiso galvutės špindelio kakliuko ir pasukite į norimą padėtį (priklausomai nuo darbo pobūdžio)
 - užfiksukite apsauginį gaubtą F, užverždami varžtą
 - ! **įsitikinkite, kad uždara apsauginio gaubto pusė nukreipta į dirbantįjį**
- Prieš pradėdami eksploatuoti prietaisą
 - įsitikinkite, kad papildoma įranga sumontuota patikimai ir tvirtai priveržta
 - patikrinkite, ar sumontuoti įrankiai laisvai sukasi, pasukdami juos ranka
 - patikrinkite prietaiso veikimą: leiskite prietaisui saugioje padėtyje bent 30 sekundžių dirbti be apkrovos didžiausiu greičiu

- jei prietaisas smarkiai vibruoja ar pastebite kitokius defektus, tuoj pat jį išjunkite ir pasistenkite išsiaiškinti priežastį
- Fiksuojamasis įjungimo ir išjungimo klavišas H ⑥
 - įjunkite prietaisą ⑥a
 - ! **atkreipkite dėmesį, jog prietaisas įjungimo metu staiga trūkteli**
 - ! **prieš glausdami įrankį prie ruošinio palaukite, kol prietaisas visiškai įsibėgės**
 - užfiksukite jungiklį ⑥b
 - fiksavimą panaikinkite/išjunkite prietaisą ⑥c
 - ! **prieš išjungdami prietaisą atitraukite jį nuo ruošinio**
 - ! **išjungus prietaisą, įrankis dar kurį laiką sukasi**
- Elektroninė tolygaus įsibėgėjimo sistema

Patikimai leidžia pasiekti maksimalų greitį, išvengiant staigaus prietaiso trūktelėjimo įjungimo metu
- Elektroninis sūkių stabilizatorius

Didėjant apkrovai, palaiko stabilius disko sukčius
- Nupjovimas ⑦
 - vidutiniškai spausdami judinkite prietaisą pirmyn-atgal
 - ! **pjovimo diską draudžiama naudoti šlifavimui**
- Grubus šlifavimas ⑧
 - nekreipkite prietaiso kampu
 - prietaisas turi judėti ta pačia kryptimi, kurią rodo rodyklė ant prietaiso galvutės - taip išvengsite nekontroliuojamo prietaiso išslydimo už apdirbamo ploto ribų
 - nespauskite prietaiso per daug; pjovimo disko greitis padarys darbą už Jus
 - pjovimo disko apsisukimų skaičius priklauso nuo apdirbamo ruošinio
 - nestabdykite pjovimo diskų šoniniu prispaudimu
- Prietaiso laikymas ir valdymas
 - tvirtai laikykite prietaisą abiem rankomis, kad nuolat galėtumėte jį kontroliuoti
 - stovėkite tvirtai
 - atkreipkite dėmesį į sukimosi kryptį; laikykite prietaisą taip, kad žiezirbos ir dulkės lėktų šalin nuo Jūsų
 - ventiliacines angas laikykite atviras

NAUDOJIMO PATARIMAI

- Vietoj veržlės B ④ galima naudoti greitai fiksuojančią veržlę "CLIC" J ④ (SKIL papildoma įranga 2610388766); tokiu atveju rūpūs šlifavimo ir pjovimo diskus galima montuoti, nenaudojant jokių papildomų raktų

GARANTIJA / APLINKOSAUGA

- Periodiškai valykite prietaisą ir kabelį (ypač ventiliacines angas)
 - ! **nemėginkite valyti angų, kišdami į jas aštrius daiktus**
 - ! **prieš valydami ištraukite kištuką iš elektros tinklo lizdo**
- Šiam SKIL gaminiui mes suteikiame garantiją pagal galiojančius įstatymus; gedimams, kurie atsirado dėl natūralaus susidėvėjimo, perkrovų arba netinkamo naudojimo, garantijos negalioja

- Pretenzijos atveju **neišardytą** prietaisą kartu su pirkimo čekiu siųskite tiekėjui arba į artimiausią SKIL firmos įgaliotą elektros prietaisų techninio aptarnavimo tarnybą (adresus bei atsarginių dalių brėžinius rasite www.skileurope.com)
- **Nemeskite elektrinių įrankių, papildomos įrangos ir pakuotės į buitinių atliekų kontenerius** (galioja tik ES valstybėms)
 - pagal ES Direktyvą 2002/96/EG dėl naudotų elektrinių ir elektroninių prietaisų atliekų utilizavimo ir pagal vietinius valstybės įstatymus atitarnavę elektriniai įrankiai turi būti surenkami atskirai ir gabenami į antrinių žaliavų tvarkymo vietas, kur jie turi būti sunaikinami ar perdirbami aplinkai nekenksmingu būdu
 - apie tai primins simbolis ⑨, kai reikės išmesti atitarnavusį prietaisą





A series of horizontal lines for writing, starting from the top line and extending to the bottom of the page.



GB	<p>CE DECLARATION OF CONFORMITY We declare under our sole responsibility that this product is in conformity with the following standards or standardized documents: EN 50 144, EN 55 014, in accordance with the provisions of the directives 73/23/EC, 89/336/EC, 98/37/EC. NOISE/VIBRATION Measured in accordance with EN 50 144 the sound pressure level of this tool is 83 dB(A) and the vibration 3.5 m/s² (hand-arm method).</p>
F	<p>CE DÉCLARATION DE CONFORMITÉ Nous déclarons sous notre propre responsabilité que ce produit est en conformité avec les normes ou documents normalisés suivants: EN 50 144, EN 55 014, conforme aux réglementations 73/23/EC, 89/336/EC, 98/37/EC. BRUIT/VIBRATION Mesuré selon EN 50 144 le niveau de la pression sonore de cet outil est 83 dB(A) et la vibration 3,5 m/s² (méthode main-bras).</p>
D	<p>CE KONFORMITÄTSEKRLÄRUNG Wir erklären in alleiniger Verantwortung, daß dieses Produkt mit den folgenden Normen oder normativen Dokumenten übereinstimmt: EN 50 144, EN 55 014, gemäß den Bestimmungen der Richtlinien 73/23/EG, 89/336/EG, 98/37/EG. GERÄUSCH/VIBRATION Gemessen gemäß EN 50 144 beträgt der Schalldruckpegel dieses Gerätes 83 dB(A) und die Vibration 3,5 m/s² (Hand-Arm Methode).</p>
NL	<p>CE CONFORMITEITSVERKLARING Wij verklaren, dat dit product voldoet aan de volgende normen of normatieve documenten: EN 50 144, EN 55 014, overeenkomstig de bepalingen van de richtlijnen 73/23/EG, 89/336/EG, 98/37/EG. GELUID/VIBRATIE Gemeten volgens EN 50 144 bedraagt het geluidsrukniveau van deze machine 83 dB(A) en de vibratie 3,5 m/s² (hand-arm methode).</p>
S	<p>CE KONFORMITETSFÖRKLÄRING Vi intygar och ansvarar för, att denna produkt överensstämmer med följande norm och dokument: EN 50 144, EN 55 014, enl. bestämmelser och riktlinjerna 73/23/EG, 89/336/EG, 98/37/EG. LJUD/VIBRATION Ljudtrycksnivån som uppmätts enligt EN 50 144 är på denna maskin 83 dB(A) och vibration 3,5 m/s² (hand-arm metod).</p>
DK	<p>CE KONFORMITETSERKLÆRING Vi erklærer under almindeligt ansvar, at dette produkt er i overensstemmelse med følgende normer eller normative dokumenter: EN 50 144, EN 55 014, i henhold til bestemmelserne i direktiverne 73/23/EF, 89/336/EF, 98/37/EF. STØJ/VIBRATION Måles efter EN 50 144 er lydtrykniveau af dette værktøj 83 dB(A) og vibrationsniveauet 3,5 m/s² (hånd-arm metoden).</p>
N	<p>CE SAMSVARERKLÆRING Vi erklærer at det er under vårt ansvar at dette produkt er i samsvar med følgende standarder eller standard-dokumenter: EN 50 144, EN 55 014, i samsvar med reguleringer 73/23/EF, 89/336/EF, 98/37/EF. STØY/VIBRASJON Mått ifølge EN 50 144 er lydtryknivået av dette verktøyet 83 dB(A) og vibrasjonsnivået 3,5 m/s² (hånd-arm metode).</p>
FIN	<p>CE TODISTUS STANDARDINMUKAISUUEDESTA Todistamme täten ja vastaamme yksin siitä, että nämä tuote en alluuleteltujen standardien ja standardoimisasiakirjojen vaatimusten mukainen EN 50 144, EN 55 014, seuraavien sääntöjen mukaisesti 73/23/ETY, 89/336/ETY, 98/37/ETY. MELU/TÄRINÄ Mitattuna EN 50 144 mukaan työkalun melutaso on 83 dB(A) ja värinäin voimakkuus 3,5 m/s² (käsi-käsivarsi metodi).</p>
E	<p>CE DECLARACION DE CONFORMIDAD Declaramos bajo nuestra sola responsabilidad que este producto está en conformidad con las normas o documentos normalizados siguientes: EN 50 144, EN 55 014, de acuerdo con las regulaciones 73/23/CE, 89/336/CE, 98/37/CE. RUIDOS/VIBRACIONES Medido según EN 50 144 el nivel de la presión acústica de esta herramienta se eleva a 83 dB(A) y la vibración a 3,5 m/s² (método brazo-mano).</p>
P	<p>CE DECLARAÇÃO DE CONFIRMIDADE Declaramos sob nossa exclusiva responsabilidade que este produto cumpre as seguintes normas ou documentos normativos: EN 50 144, EN 55 014, conforme as disposições das directivas 73/23/CE, 89/336/CE, 98/37/CE. RUIDO/VIBRAÇÕES Medido segundo EN 50 144 o nível de pressão acústica desta ferramenta é 83 dB(A) e a vibração 3,5 m/s² (método braço-mão).</p>
I	<p>CE DICHIARAZIONE DI CONFORMITÀ Dichiaro, assumendo la piena responsabilità di tale dichiarazione, che il prodotto è conforme alle seguenti normative e ai relativi documenti: EN 50 144, EN 55 014 in base alle prescrizioni delle direttive CE 73/23, CE 89/336, CE 98/37. RUMOROSITÀ/VIBRAZIONE Misurato in conformità al EN 50 144 il livello di pressione acustica di questo utensile è 83 dB(A) ed la vibrazione 3,5 m/s² (metodo mano-braccio).</p>
H	<p>CE MINŐSÉGI TANUSÍTVÁNY Teljes felelősségünk tudatában kijelentjük, hogy jelen termék a következő szabványoknak vagy kötelező hatósági előírásoknak megfelel: EN 50 144, EN 55 014, a 73/23/EK, 89/336/EK, 98/37/EK előírásoknak megfelelően. ZAJ/REZGÉS Az EN 50 144 alapján végzett mérésük szerint ezen készülék hangnyomás szintje 83 dB(A) a kézre ható rezgésszám 3,5 m/s².</p>
CZ	<p>CE STRVZUJICÍ PROHLÁŠENÍ Potvrzujeme na odpovědnost, že tento výrobek odpovídá následujícími normám nebo normativním pokladům: EN 50 144, EN 55 014, podle ustanovení směrníc 73/23/EG, 89/336/EG, 98/37/EG. HLUČNOSTI/VIBRACÍ Měřeno podle EN 50 144 činí tlak hlukové vlny tohoto přístroje 83 dB(A) a vibrací 3,5 m/s² (metoda ruka-paže).</p>
TR	<p>CE STANDARDIZASYON BEYANI Yeğane sorumlu olarak, bu ürünün aşağıdaki standartlara veya standart belgelerine uygun olduğunu beyan ederiz: EN 50 144, EN 55 014, yönetmeliği hükümleri uyarınca 73/23/EC, 89/336/EC, 98/37/EC. GÜRÜLTÜ/TİTREŞİM Ölçülen EN 50 144 göre ses basıncı bu makinanın seviyesi 83 dB(A) ve titreşim 3,5 m/s² (el-kol metodu).</p>

PL	OŚWIADCZENIE ZGODNOŚCI CE Niniejszym oświadczamy ponosząc osobistą odpowiedzialność, że produkt wykonany jest zgodnie z następującymi normami i dokumentami normalizującymi: EN 50 144, EN 55 014, z godnie z wytycznymi 73/23/WE, 89/336/WE, 98/37/EC, 98/37/EC. HAŁASU/WIBRACJE Pomiarów dokonano zgodnie z normą EN 50 144 ciśnienie akustyczne narzędzia wynosi 83 dB(A) zaś vibracje 3,5 m/s ² (metoda dłoń-ręka).
RU	ЗАЯВЛЕНИЕ О СООТВЕТСТВИИ Мы с полной ответственностью заявляем, что это изделие соответствует следующим стандартам или стандартизованным документам: EN 50 144, EN 55 014, в соответствии с инструкциями 73/23/EC, 89/336/EC, 98/37/EC. ШУМНОСТИ/ВИБРАЦИИ При измерении в соответствии со стандартом EN 50 144 уровень звукового давления для этого инструмента составляет 83 дБ (А) и вибрации - 3,5 м/с ² (по методу для рук).
UA	CE ВІДПОВІДНІСТЬ Ми заявляємо, що відповідність даного продукту наступним стандартам і регулюючим документам повністю нашою відповідальністю: EN 50 144, EN 55 014, відповідно до положень директив 73/23/ЄС, 89/336/ЄС, 98/37/ЄС. ШУМ/ВІБРАЦІЯ Зміряний відповідно до EN 50 144 рівень тиску звуку даного інструменту 83 дБ(А) і вібрації 3,5 м/с ² (ручна методика).
GR	CE ΔΗΛΩΣΗ ΣΥΜΒΑΤΟΤΗΤΑΣ Δηλούμε υπευθύνως ότι το προϊόν αυτό είναι κατασκευασμένο σύμφωνα με τους εξής κανονισμούς ή κατασκευαστικές συστάσεις: EN 50 144, EN 55 014, κατά τις διατάξεις των κανονισμών της Κοινής Αγοράς 73/23/ΕΚ, 89/336/ΕΚ, 98/37/ΕΚ. ΘΟΥΡΥΒΟ/ΚΡΑΔΑΣΜΟΥΣ Μετρημένη σύμφωνα με EN 50 144 η στάθμη ακουστικής πίεσης αυτού του εργαλείου ανέρχεται σε 83 dB(A) και ο κραδασμός σε 3,5 m/s ² (μεθοδος χειρός/βραχίονα).
RO	DECLARAȚIE DE CONFORMITATE CE Declarăm pe proprie răspundere că acest product este conform cu următoarele standarde sau documente standardizate: EN 50 144, EN 55 014, în conformitate cu regulile 73/23/EC, 89/336/EC, 98/37/EC. ZGOMOT/VIBRAȚII Măsurat în conformitate cu EN 50 144 nivelul de presiune a sunetului generat de acest instrument este de 83 dB(A) iar nivelul vibrațiilor 3,5 m/s ² (metoda mină - braț).
BG	CE ДЕКЛАРАЦИЯ ЗА СЪОТВЕТСТВИЕ Декларираме на изцяло наша отговорност, че това изделие е съобразено със следните стандарти или стандартизирани документи: EN 50 144, EN 55 014, в съответствие с нормативната уредба на 73/23/EG, 89/336/EG, 98/37/EG. ШУМ/ВИБРАЦИИ Измерено в съответствие с EN 50 144 нивото на звуково налягане на този инструмент е 83 dB(A) а вибрациите са 3,5 m/s ² (метод ръка-рамо).
SK	CE PREHLÁSENIE O ZHODE Výhradne na našu vlastnú zodpovednosť prehlasujeme, že tento výrobok zodpovedá nasledujúcim normám alebo normovaným dokumentom: EN 50 144, EN 55 014, v súlade s predpismi 73/23/EC, 89/336/EC, 98/37/EC. HLUKU/VIBRÁCIACH Merané podľa EN 50 144 je úroveň akustického tlaku tohto nástroja 83 dB(A), a vibrácie sú 3,5 m/s ² (metóda ruka - paža).
HR	CE IZJAVA O USKLAĐENOSTI Izjavljujemo uz punu odgovornost da je ovaj proizvod usklađen sa slijedećim normama i normativnim dokumentima: EN 50 144, EN 55 014, prema odredbama smjernica 73/23/EG, 89/336/EG, 98/37/EG. BUCI/VIBRACIJAMA Mjereno prema EN 50 144, prag zvučnog tlaka ovog električnog alata iznosi 83 dB(A) a vibracija 3,5 m/s ² (postupkom na šaci-rući).
SCG	CE IZJAVA O USKLAĐENOSTI Pod punom odgovornošću izjavljujemo da je ovaj proizvod usklađen sa sledećim standardima ili standardizovanim dokumentima: EN 50 144, EN 55 014, u skladu sa odredbama smernica 73/23/EG, 89/336/EG, 98/37/EG. BUK/VIBRACIJE Mereno u skladu sa EN 50 144, nivo pritiska zvuka ovog alata iznosi 83 dB(A) a vibracija 3,5 m/s ² (mereno metodom na šaci-rući).
SLO	IZJAVA O USTREZNOSTI CE Odgovorno izjavljamo, da je ta izdelek v skladu z naslednjimi standardi ali standardnimi dokumenti: EN 50 144, EN 55 014, v skladu s predpisi navodil 73/23/EG, 89/336/EG, 98/37/EG. HRUP/VIBRACIJA Izmerjeno v skladu s predpisom EN 50 144 je raven zvočnega pritiska za to orodje 83 dB(A) in vibracija 3,5 m/s ² (metoda 'dlan-roka').
EST	CE VASTAVUSDEKLARATSIOON Kinnitame ainuvastutajana, et see toode vastab järgmistele standarditele või normdokumentidele: EN 50 144, EN 55 014 vastavalt direktiivide 73/23/EÜ, 89/336/EÜ, 98/37/EÜ nõuetele. MÜRA/VIBRATSIOON Vastavalt kooskõlas normiga EN 50 144 läbi viiud mõõtmistele on antud seadme helirõhk 83 dB(A) ja a vibratsioon 3,5 m/s ² (käe-randme-meetod).
LV	CE DEKLARĀCIJA PAR ATBILSTĪBU STANDARTIEM Mēs ar pilnu atbildību paziņojam, ka šis izstrādājums atbilst standartiem vai standartizācijas dokumentiem EN 50 144, EN 55 014 un ir saskaņā ar direktīvām 73/23/EG, 89/336/EG, 98/37/EG. TROKSNIS/VIBRĀCIJA Saskaņā ar standartu EN 50 144 noteiktās instrumenta radītā trokšņa skaņas spiediena līmenis ir 83 dB(A) un vibrācijas intensitāte ir 3,5 m/s ² (strādājot rokas režīmā).
LT	CE KOKYBĖS ATITIKTIES DEKLARACIJA Mes atsakingai pareiškiame, kad šis gaminyš atitinka tokius standartus ir normatyvinius dokumentus: EN 50 144, EN 55 014 pagal EEB reglamentų 73/23/EG, 89/336/EG, 98/37/EG nuostatas. TRIUKŠMINGUMAS/VIBRACIJA Šio prietaiso triukšmingumas buvo išmatuotas pagal EN 50 144 reikalavimus keliamo triukšmo garso slėgio lygis siekia 83 dB(A) ir vibracijos pagreitis rankos plaštakos srityje tipiniu atveju yra mažesnis, kaip 3,5 m/s ² .

